

# DATA SHEET



## Three Phase Induction Motor - Squirrel Cage

Customer : Dealers Industrial Equipment 800-469-3110		Customer reference : 25018OT3GRB445T-W40				
Product line : W40 NEMA Premium Efficiency Three-Phase		Product code : 14272868	Catalog # : 25018OT3GRB445T-W40			
Frame : 444/5T Output : 250 HP (185 kW) Poles : 4 Frequency : 60 Hz Rated voltage : 460 V Rated current : 289 A L. R. Amperes : 1850 A LRC : 6.4x(Code G) No load current : 106 A Rated speed : 1780 rpm Slip : 1.11 % Rated torque : 728 ft.lb Locked rotor torque : 210 % Breakdown torque : 240 % Insulation class : F Service factor : 1.15 Moment of inertia (J) : 50.9 sq.ft.lb Design : B	Locked rotor time : 16s (cold) 9s (hot) Temperature rise : 80 K Duty cycle : Cont.(S1) Ambient temperature : -20°C to +40°C Altitude : 1000 m.a.s.l. Protection degree : IP23 Cooling method : IC01 - ODP Mounting : F-1 Rotation <sup>1</sup> : Both (CW and CCW) Noise level <sup>2</sup> : 78.0 dB(A) Starting method : Direct On Line Approx. weight <sup>3</sup> : 1542 lb					
Output	25%	50%	75%	100%	Foundation loads	
Efficiency (%)	95.3	95.4	95.8	95.8	Max. traction : 4319 lb	
Power Factor	0.46	0.72	0.80	0.84	Max. compression : 5862 lb	
Bearing type :		<u>Drive end</u> NU-319 C3	<u>Non drive end</u> 6314 C3			
Sealing :		Without Bearing Seal	Without Bearing Seal			
Lubrication interval :		18825 h	20000 h			
Lubricant amount :		45 g	27 g			
Lubricant type :		Mobil Polyrex EM				
Notes downloaded from <a href="http://dealerselectric.com">http://dealerselectric.com</a>						
This revision replaces and cancel the previous one, which must be eliminated. (1) Looking the motor from the shaft end. (2) Measured at 1m and with tolerance of +3dB(A). (3) Approximate weight subject to changes after manufacturing process. (4) At 100% of full load.			These are average values based on tests with sinusoidal power supply, subject to the tolerances stipulated in NEMA MG-1.			
Rev.	Changes Summary			Performed	Checked	Date
Performed by						
Checked by					Page	Revision
Date	16/04/2019				1 / 2	

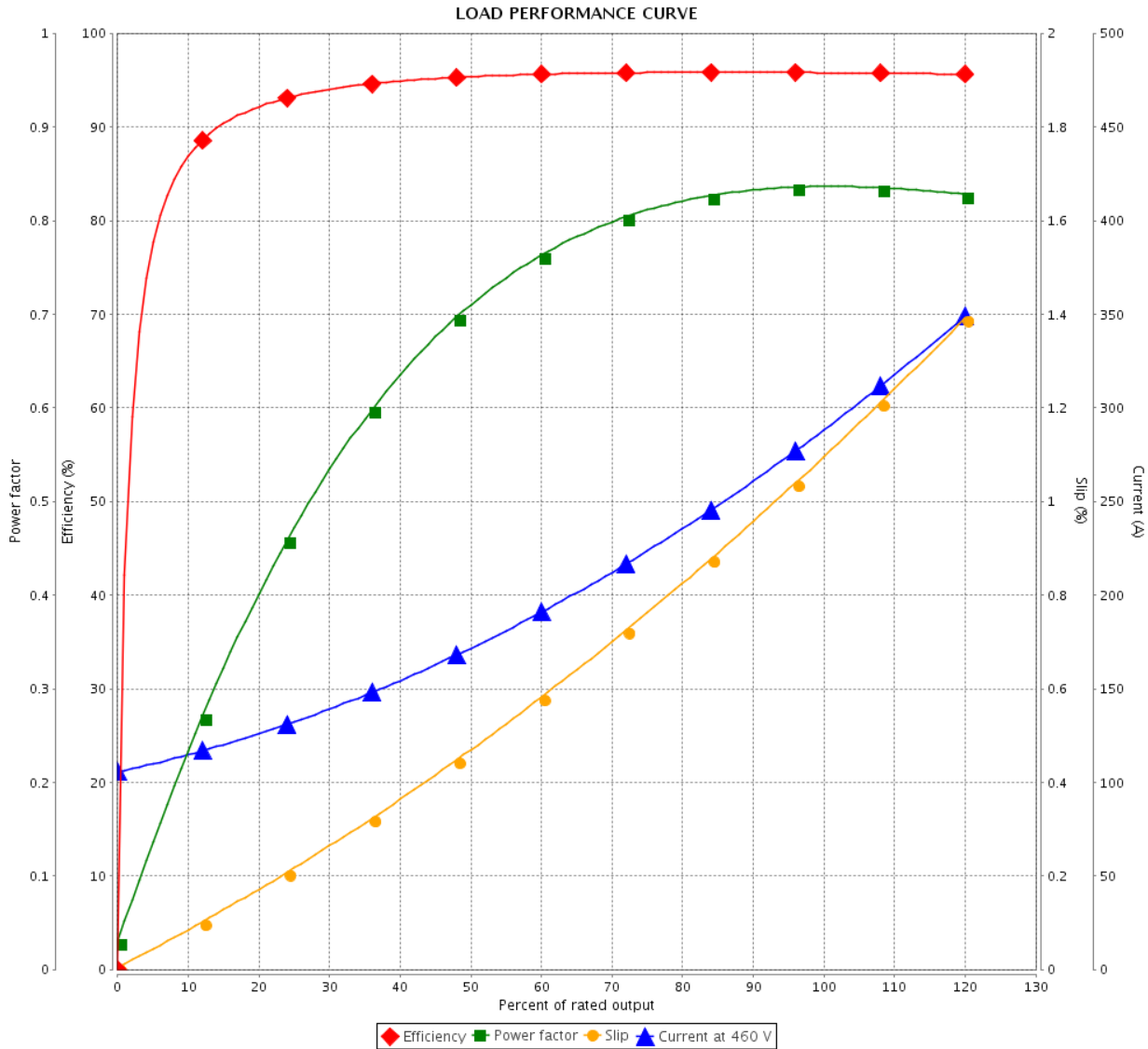
# LOAD PERFORMANCE CURVE



## Three Phase Induction Motor - Squirrel Cage

Customer : Dealers Industrial Equipment 800-469-3110  
 Customer reference : 25018OT3GRB445T-W40

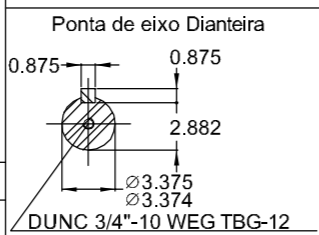
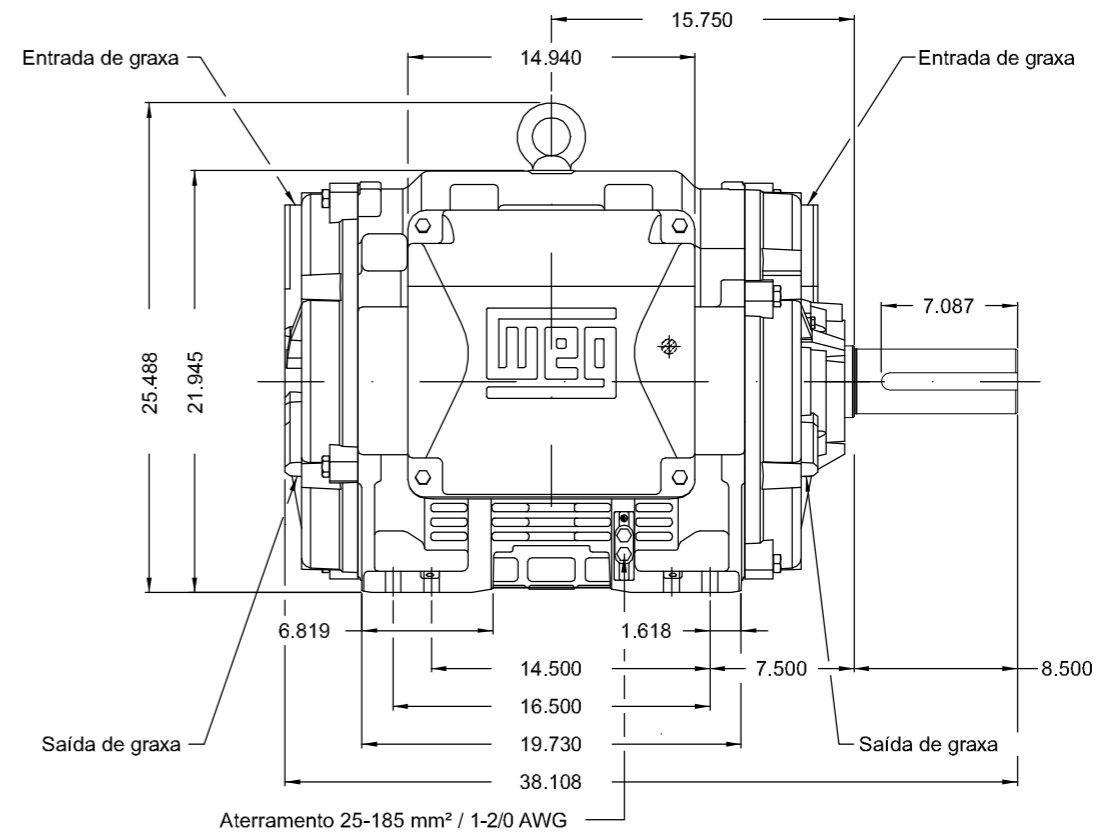
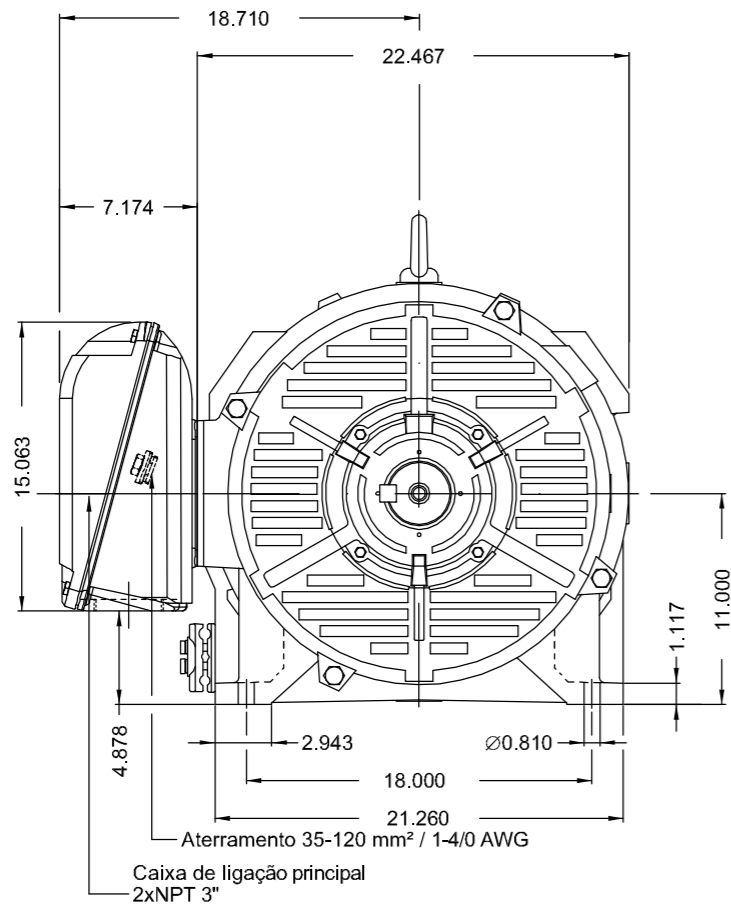
Product line : W40 NEMA Premium Efficiency Three-Phase      Product code : 14272868  
 Catalog # : 25018OT3GRB445T-W40



Performance : 460 V 60 Hz 4P

Rated current : 289 A	Moment of inertia (J) : 50.9 sq.ft.lb
LRC : 6.4	Duty cycle : Cont.(S1)
Rated torque : 728 ft.lb	Insulation class : F
Locked rotor torque : 210 %	Service factor : 1.15
Breakdown torque : 240 %	Temperature rise : 80 K
Rated speed : 1780 rpm	Design : B

Rev.	Changes Summary	Performed	Checked	Date
Performed by			Page	Revision
Checked by			2 / 2	
Date	16/04/2019			



250 HP 04 Polos 60Hz

		ESC / SCALE		[1:10]	
500001470179	BURIGO	PIRWBUSER	PIRWBUSER	27.06.2018	
ECM ECM	LOC LOC	EXECUTADO EXECUTED	VERIFICADO CHECKED	LIBERADO RELEASED	DATA DATE
EXEC. /EXECUTED	BURIGO	RESUMO MODIFICAÇÃO SUMMARY OF MODIFICATIONS			
VERIF. /CHECKED	PIRWBUSER	MOTOR TRIFÁSICO W40 NEMA PREMIUM EFF		10005861275	
LIBER. /RELEASED	PIRWBUSER	CARÇAÇA 444/5T IP23 ODP		000   00	
DATA LB /REL DT	27.06.2018	WMO	Jaragua do Sul	Engenharia de Produto	FOLHA/SHEET 1 / 1

Forma construtiva NEMA F-1  
Forma construtiva B3D



CÓPIA SEM CONTROLE  
Dimensões em polegadas  
LIBERADO  
ZME A3