

DATA SHEET



Three Phase Induction Motor - Squirrel Cage

Customer : Dealers Industrial Equipment 800-469-3110		Customer reference : 20018OT3GRB445T-W40				
Product line : W40 NEMA Premium Efficiency Three-Phase		Product code : 14272558	Catalog # : 20018OT3GRB445T-W40			
Frame : 444/5T Output : 200 HP (150 kW) Poles : 4 Frequency : 60 Hz Rated voltage : 460 V Rated current : 234 A L. R. Amperes : 1544 A LRC : 6.6x(Code G) No load current : 86.5 A Rated speed : 1783 rpm Slip : 0.94 % Rated torque : 581 ft.lb Locked rotor torque : 210 % Breakdown torque : 250 % Insulation class : F Service factor : 1.15 Moment of inertia (J) : 46.4 sq.ft.lb Design : B	Locked rotor time : 25s (cold) 14s (hot) Temperature rise : 80 K Duty cycle : Cont.(S1) Ambient temperature : -20°C to +40°C Altitude : 1000 m.a.s.l. Protection degree : IP23 Cooling method : IC01 - ODP Mounting : F-1 Rotation ¹ : Both (CW and CCW) Noise level ² : 78.0 dB(A) Starting method : Direct On Line Approx. weight ³ : 1468 lb					
Output	25%	50%	75%	100%	Foundation loads	
Efficiency (%)	95.3	95.4	95.8	95.8	Max. traction : 3720 lb	
Power Factor	0.46	0.72	0.80	0.84	Max. compression : 5188 lb	
		<u>Drive end</u>		<u>Non drive end</u>		
Bearing type	:	NU-319 C3		6314 C3		
Sealing	:	Without Bearing Seal		Without Bearing Seal		
Lubrication interval	:	18825 h		20000 h		
Lubricant amount	:	45 g		27 g		
Lubricant type	:	Mobil Polyrex EM				
Notes downloaded from http://dealerselectric.com						
This revision replaces and cancel the previous one, which must be eliminated. (1) Looking the motor from the shaft end. (2) Measured at 1m and with tolerance of +3dB(A). (3) Approximate weight subject to changes after manufacturing process. (4) At 100% of full load.			These are average values based on tests with sinusoidal power supply, subject to the tolerances stipulated in NEMA MG-1.			
Rev.	Changes Summary			Performed	Checked	Date
Performed by						
Checked by					Page	Revision
Date	16/04/2019				1 / 2	

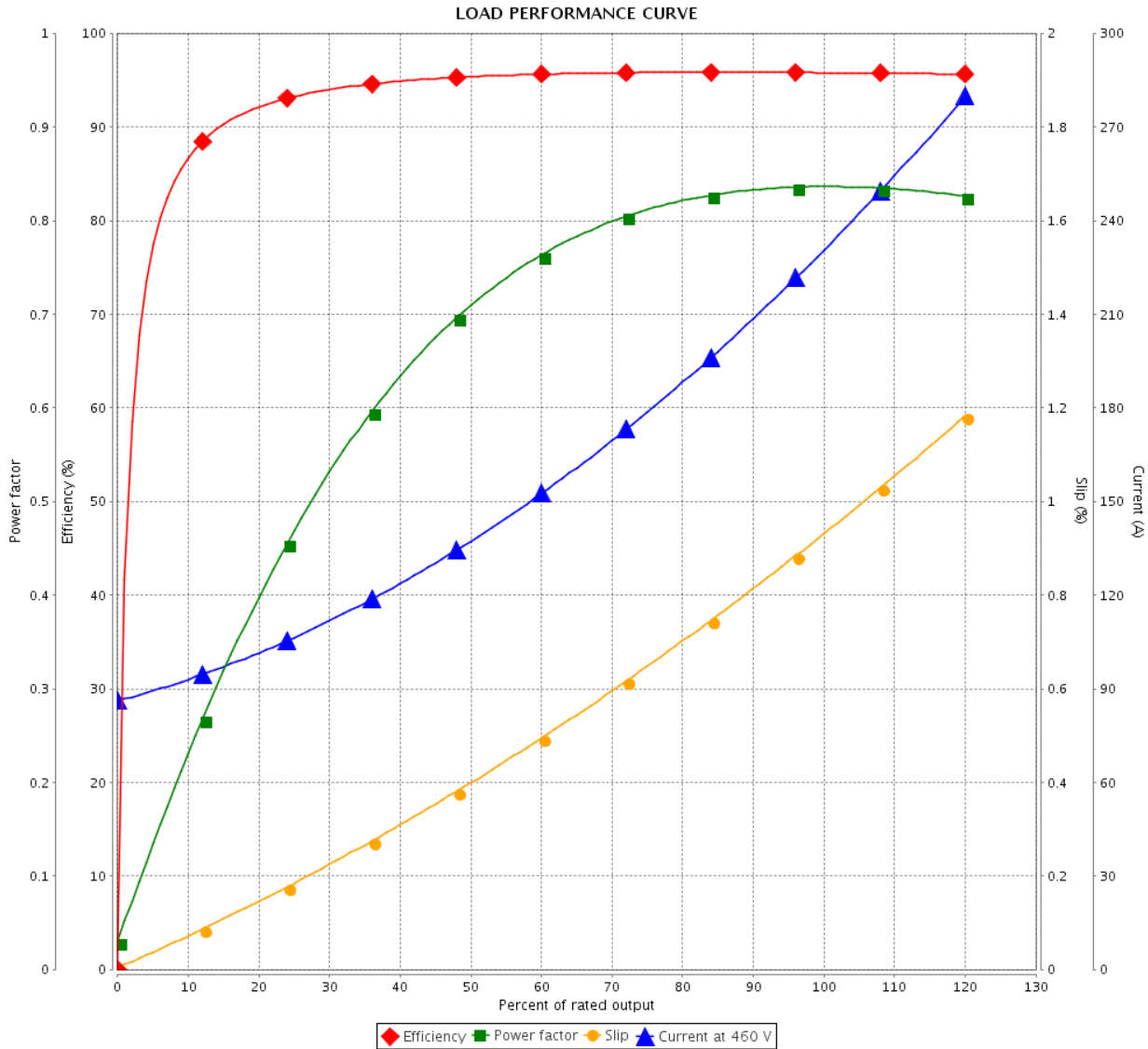
LOAD PERFORMANCE CURVE



Three Phase Induction Motor - Squirrel Cage

Customer : Dealers Industrial Equipment 800-469-3110
 Customer reference : 20018OT3GRB445T-W40

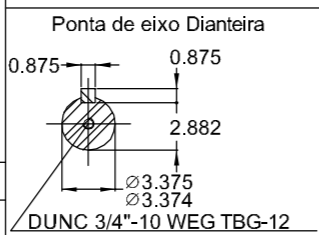
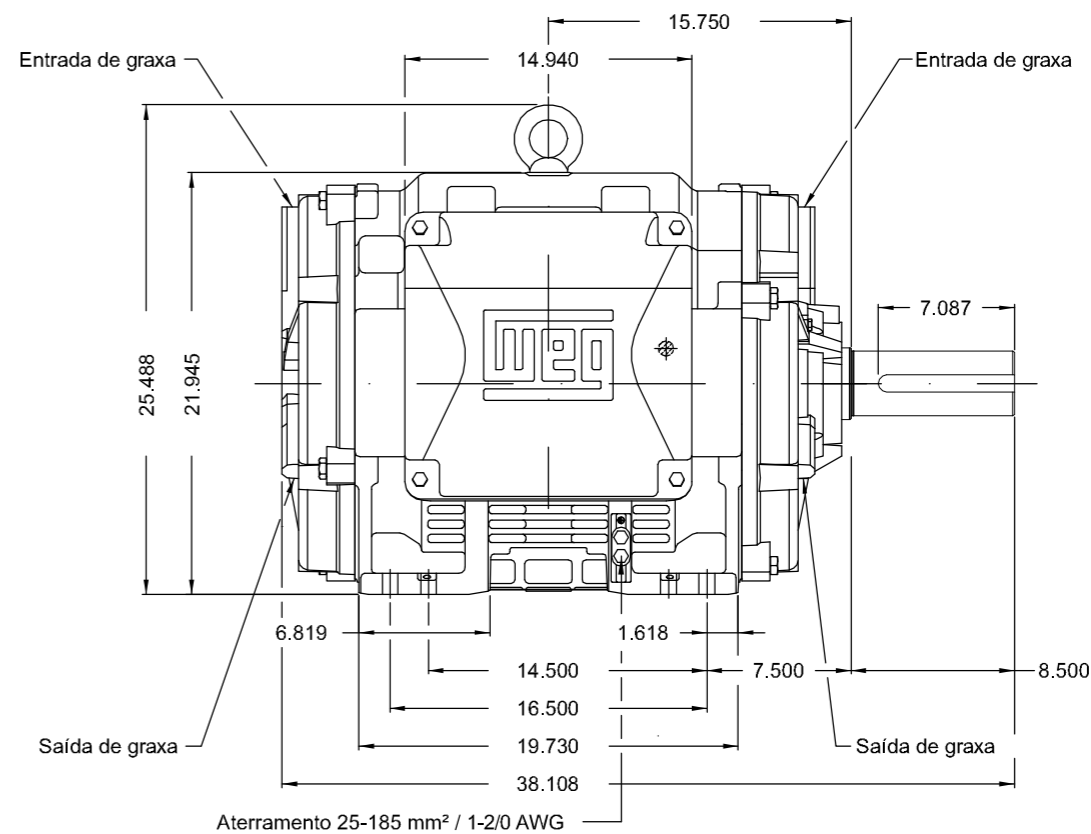
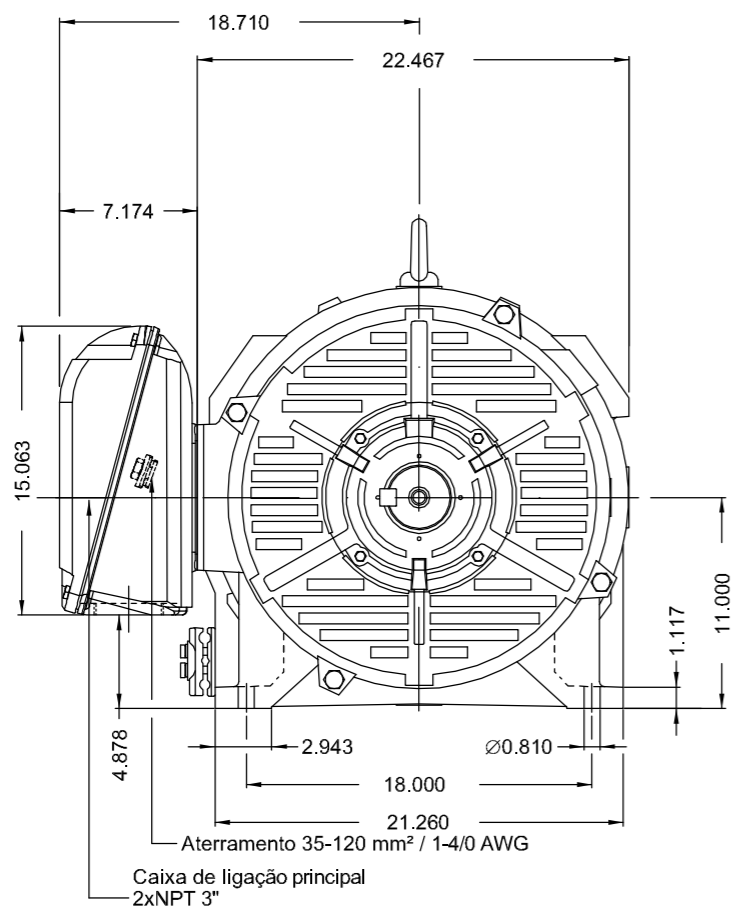
Product line : W40 NEMA Premium Efficiency Three-Phase Product code : 14272558
 Catalog # : 20018OT3GRB445T-W40



Performance : 460 V 60 Hz 4P

Rated current : 234 A	Moment of inertia (J) : 46.4 sq.ft.lb
LRC : 6.6	Duty cycle : Cont.(S1)
Rated torque : 581 ft.lb	Insulation class : F
Locked rotor torque : 210 %	Service factor : 1.15
Breakdown torque : 250 %	Temperature rise : 80 K
Rated speed : 1783 rpm	Design : B

Rev.	Changes Summary	Performed	Checked	Date
Performed by			Page	Revision
Checked by			2 / 2	
Date	16/04/2019			



250 HP 04 Polos 60Hz

500001470179		BURIGO	PIRWBUSER	PIRWBUSER	27.06.2018	
EXEC. /EXECUTED	BURIGO	EXECUTADO	VERIFICADO	LIBERADO	DATA	VER
VERIF. /CHECKED	PIRWBUSER	EXECUTED	CHECKED	RELEASED	DATE	VER
LIBER. /RELEASED	PIRWBUSER	RESUMO MODIFICAÇÃO SUMMARY OF MODIFICATIONS				
DATA LB /REL DT	27.06.2018	MOTOR TRIFÁSICO W40 NEMA PREMIUM EFF CARÇAÇA 444/5T IP23 ODP				
	WMO	Jaragua do Sul		Engenharia de Produto	FOLHA/SHEET	1 / 1

Forma construtiva NEMA F-1
Forma construtiva B3D



CÓPIA SEM CONTROLE
Dimensões em polegadas
LIBERADO
ZME A3