

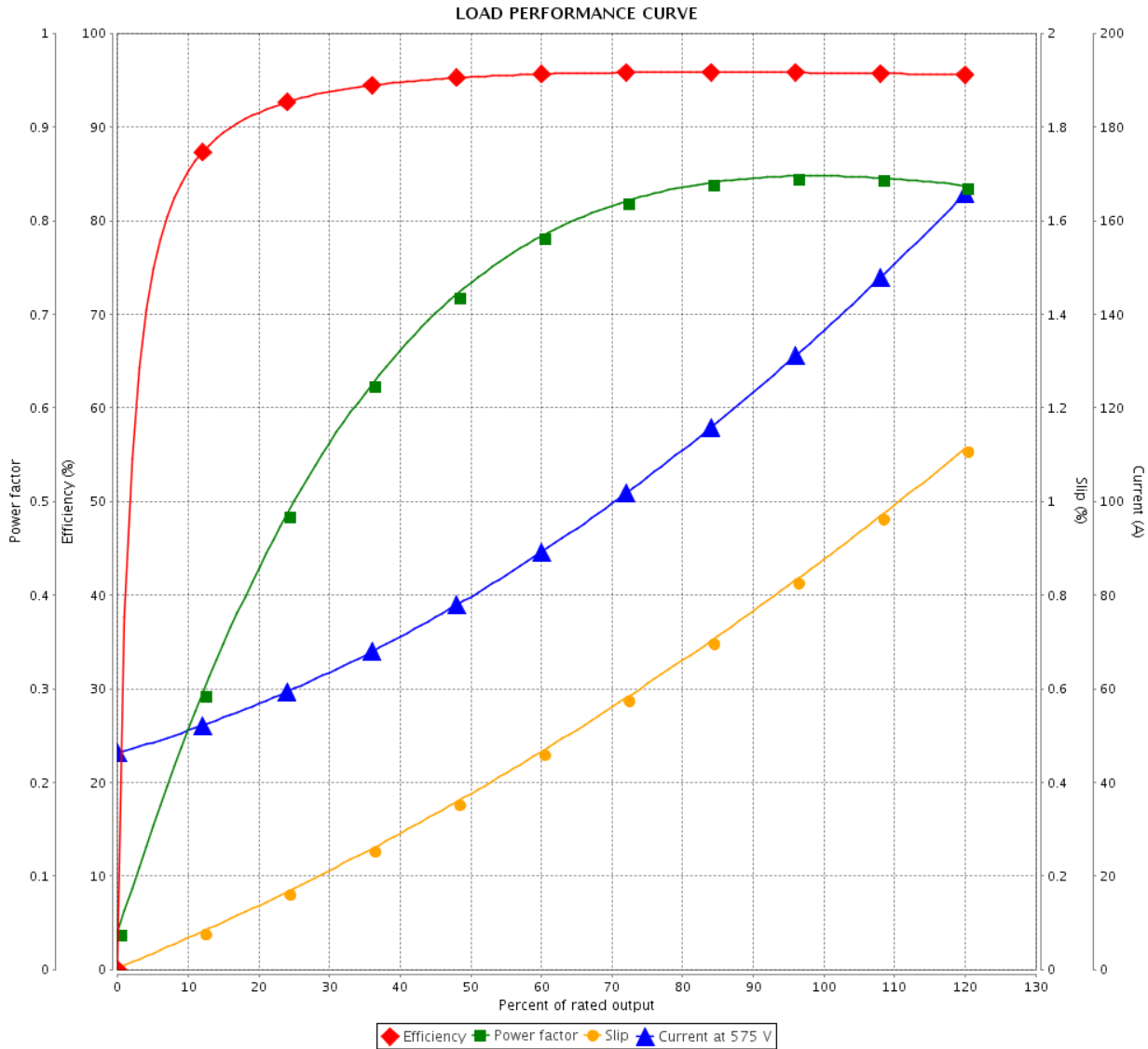
LOAD PERFORMANCE CURVE



Three Phase Induction Motor - Squirrel Cage

Customer : Dealers Industrial Equipment 800-469-3110
 Customer reference : 15018OT3H444T-W40

Product line : W40 NEMA Premium Efficiency Three-Phase Product code : 14272541
 Catalog # : 15018OT3H444T-W40



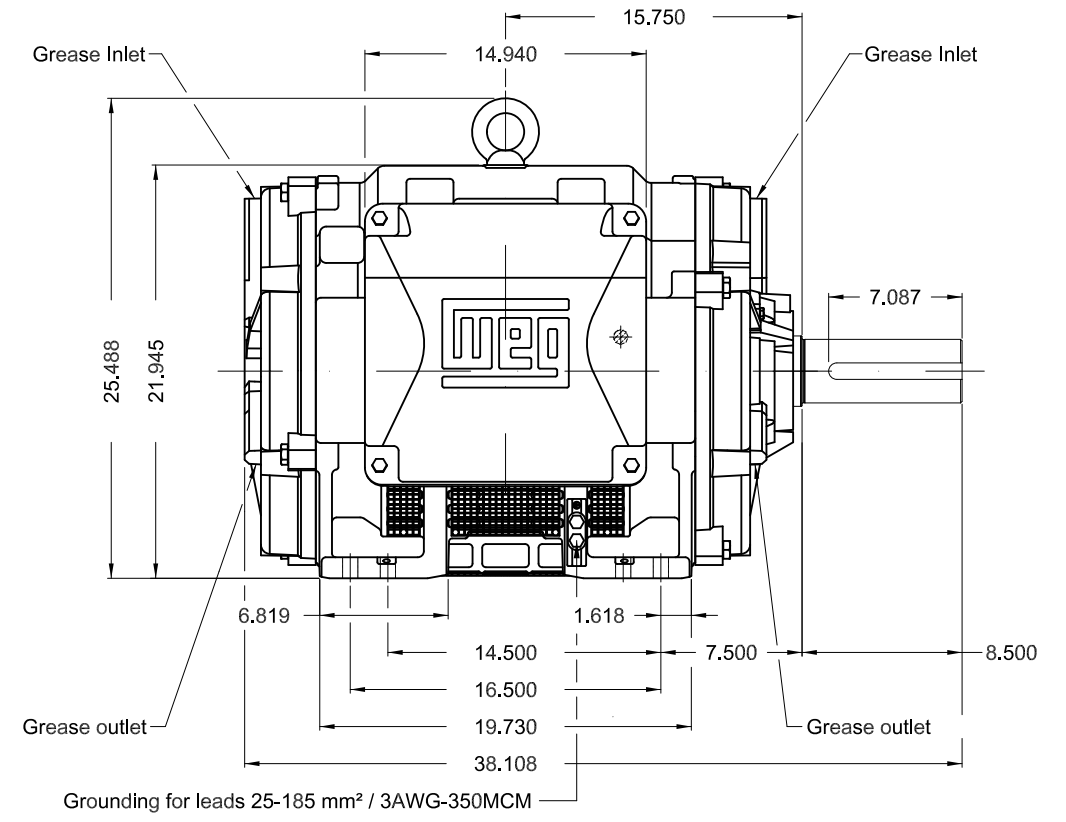
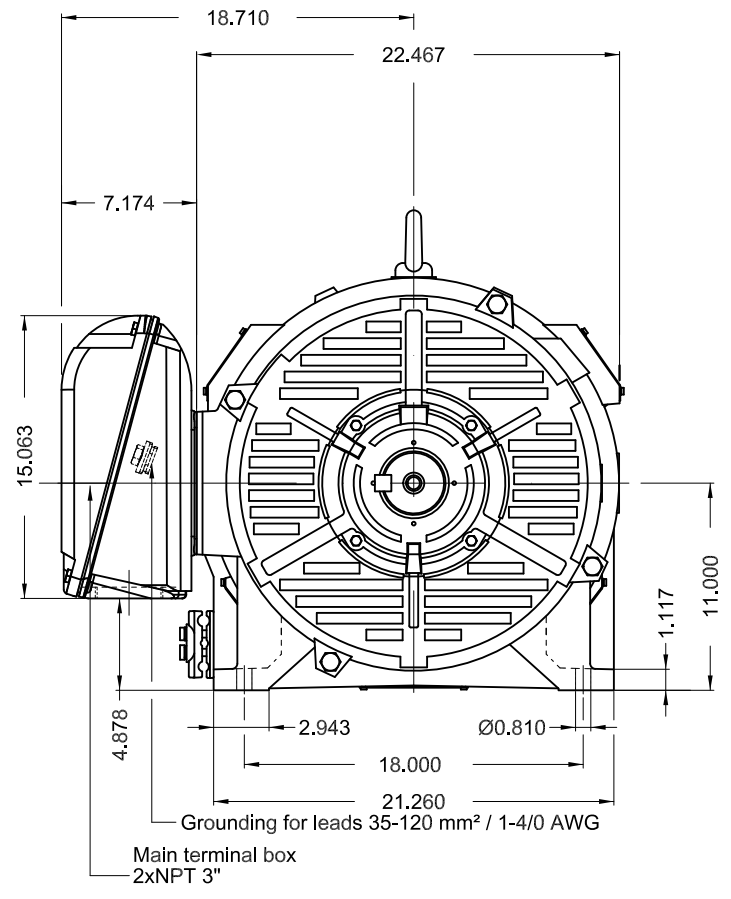
Performance : 575 V 60 Hz 4P

Rated current : 136 A	Moment of inertia (J) : 42.1 sq.ft.lb
LRC : 6.5	Duty cycle : Cont.(S1)
Rated torque : 436 ft.lb	Insulation class : F
Locked rotor torque : 200 %	Service factor : 1.25
Breakdown torque : 240 %	Temperature rise : 80 K
Rated speed : 1784 rpm	Design : B

Rev.	Changes Summary	Performed	Checked	Date
Performed by			Page 2 / 2	Revision
Checked by				
Date	16/04/2019			

Dimensões em polegada
Dimensions in inches

THIS IS AN UPDATED REVISION, THE
PREVIOUS ONE MUST BE DISREGARDED.



C3 NDE bearing						SCALE		1:10		
Color RAL 5009										
Painting plan 203A										
Mounting B3R(D)										
ECM		LOC		SUMMARY OF MODIFICATIONS		EXECUTED	CHECKED	RELEASED	DATE	VER
EXECUTED		USERADMIN		THREE PHASE W40 MOTOR NEMA PREMIUM EFF						
CHECKED				FRAME 444/5T IP23 ODP						
RELEASED				WEG code: 14272541						
REL DT		16.04.2019		WMO Jaragua do Sul		Product Engineering	SHEET	1 / 1		

150 HP 04 Poles 60Hz

A

