

DATA SHEET



Three Phase Induction Motor - Squirrel Cage

Customer : Dealers Industrial Equipment 800-469-3110		Customer reference : 07536OT3E364TSC-W40	
Product line : W40 NEMA Premium Efficiency Three-Phase		Product code : 14272522	Catalog # : 07536OT3E364TSC-W40
Frame : 364/5TSC	Locked rotor time : 34s (cold) 19s (hot)	Output : 75 HP (55 kW)	Temperature rise : 80 K
Poles : 2	Duty cycle : Cont.(S1)	Frequency : 60 Hz	Ambient temperature : -20°C to +40°C
Rated voltage : 208-230/460 V	Altitude : 1000 m.a.s.l.	Rated current : 188-170/84.8 A	Protection degree : IP23
L. R. Amperes : 1238-1119/560 A	Cooling method : IC01 - ODP	LRC : 6.6x(Code G)	Mounting : F-1
No load current : 37.1-43.0/21.5 A	Rotation ¹ : Both (CW and CCW)	Rated speed : 3560 rpm	Noise level ² : 84.0 dB(A)
Slip : 1.11 %	Starting method : Direct On Line	Rated torque : 109 ft.lb	Approx. weight ³ : 741 lb
Locked rotor torque : 200 %		Breakdown torque : 250 %	
Insulation class : F		Service factor : 1.25	
Moment of inertia (J) : 6.40 sq.ft.lb		Design : B	
Output	50%	75%	100%
Efficiency (%)	91.7	93.0	93.6
Power Factor	0.77	0.84	0.87
Foundation loads		Max. traction	: 649 lb
		Max. compression	: 1390 lb
Bearing type : <u>Drive end</u> 6314 C3 <u>Non drive end</u> 6212 Z C3		Sealing : Without Bearing Seal Without Bearing Seal	
Lubrication interval : 14418 h 20000 h		Lubricant amount : 27 g 13 g	
Lubricant type : Mobil Polyrex EM			
Notes downloaded from http://dealerselectric.com			
This revision replaces and cancel the previous one, which must be eliminated. (1) Looking the motor from the shaft end. (2) Measured at 1m and with tolerance of +3dB(A). (3) Approximate weight subject to changes after manufacturing process. (4) At 100% of full load.		These are average values based on tests with sinusoidal power supply, subject to the tolerances stipulated in NEMA MG-1.	
Rev.	Changes Summary	Performed	Checked
Performed by			
Checked by		Page	Revision
Date	14/04/2019	1 / 2	

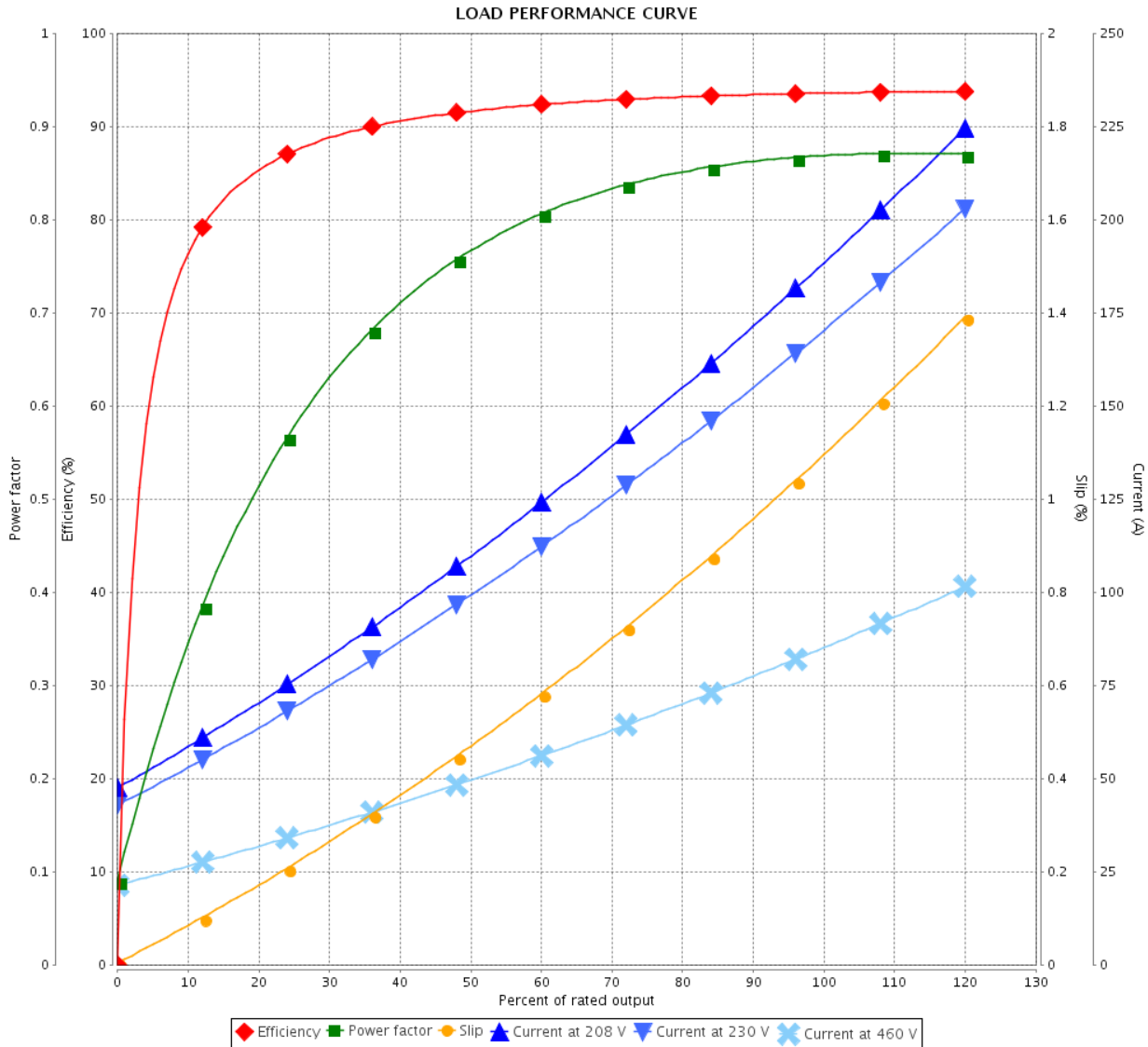
LOAD PERFORMANCE CURVE



Three Phase Induction Motor - Squirrel Cage

Customer : Dealers Industrial Equipment 800-469-3110
 Customer reference : 07536OT3E364TSC-W40

Product line : W40 NEMA Premium Efficiency Three-Phase Product code : 14272522
 Catalog # : 07536OT3E364TSC-W40



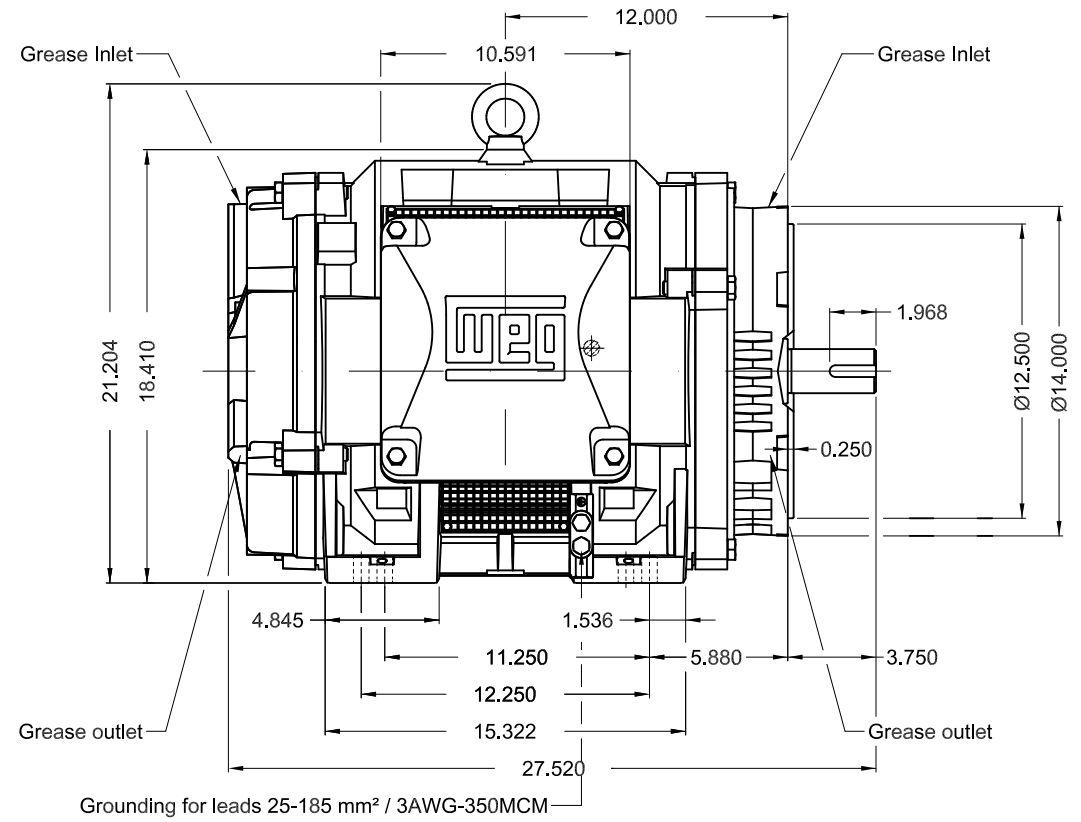
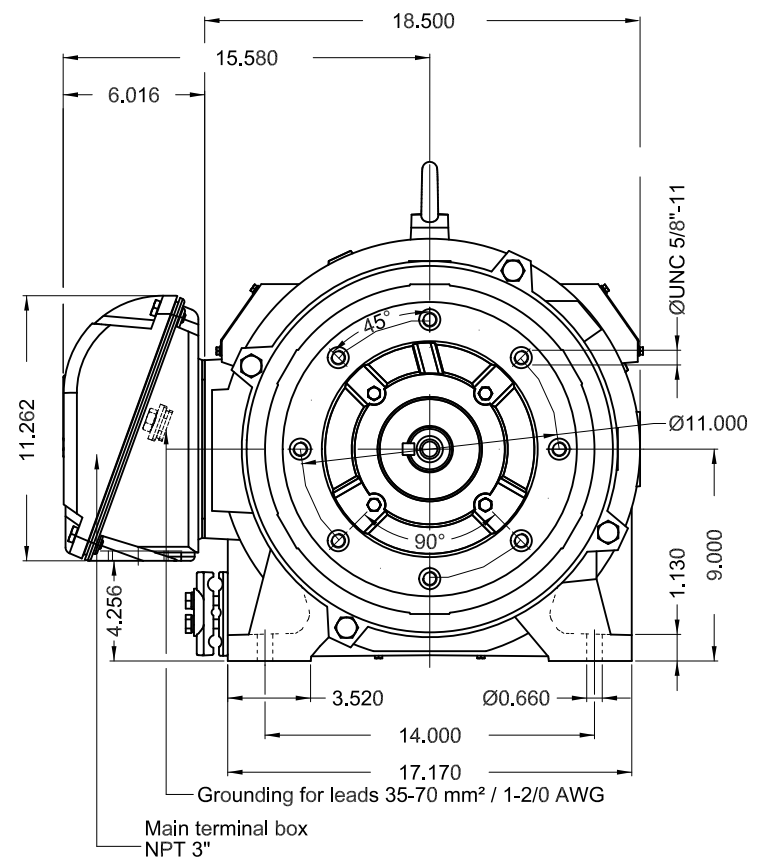
Performance : 208-230/460 V 60 Hz 2P

Rated current : 188-170/84.8 A	Moment of inertia (J) : 6.40 sq.ft.lb
LRC : 6.6	Duty cycle : Cont.(S1)
Rated torque : 109 ft.lb	Insulation class : F
Locked rotor torque : 200 %	Service factor : 1.25
Breakdown torque : 250 %	Temperature rise : 80 K
Rated speed : 3560 rpm	Design : B

Rev.	Changes Summary	Performed	Checked	Date
Performed by			Page	Revision
Checked by				
Date				

Dimensões em polegada
Dimensions in inches

THIS IS AN UPDATED REVISION, THE
PREVIOUS ONE MUST BE DISREGARDED.



Color RAL 5009									
Painting plan 203A									
Mounting B34R(D)									
					SCALE	1:8			
ECM	LOC	SUMMARY OF MODIFICATIONS			EXECUTED	CHECKED	RELEASED	DATE	VER
EXECUTED	USERADMIN	THREE PHASE W40 MOTOR NEMA PREMIUM EFF							
CHECKED		FRAME 364/5TSC IP23 ODP							
RELEASED		WEG code: 14272522							
REL DT	14.04.2019	WMO	Jaragua do Sul	Product Engineering	SHEET	1 / 1			

75 HP 02 Poles 60Hz

A

