

# DATA SHEET



## Three Phase Induction Motor - Squirrel Cage

Customer	: Dealers Industrial Equipment 800-469-3110		
Customer reference	: 07518OT3H365TC-W40		
Product line	: W40 NEMA Premium Efficiency Three-Phase	Product code :	14272520
		Catalog # :	07518OT3H365TC-W40
Frame	: 364/5TC	Locked rotor time	: 25s (cold) 14s (hot)
Output	: 75 HP (55 kW)	Temperature rise	: 80 K
Poles	: 4	Duty cycle	: Cont.(S1)
Frequency	: 60 Hz	Ambient temperature	: -20°C to +40°C
Rated voltage	: 575 V	Altitude	: 1000 m.a.s.l.
Rated current	: 68.4 A	Protection degree	: IP23
L. R. Amperes	: 465 A	Cooling method	: IC01 - ODP
LRC	: 6.8x(Code G)	Mounting	: F-1
No load current	: 24.4 A	Rotation <sup>1</sup>	: Both (CW and CCW)
Rated speed	: 1780 rpm	Noise level <sup>2</sup>	: 69.0 dB(A)
Slip	: 1.11 %	Starting method	: Direct On Line
Rated torque	: 218 ft.lb	Approx. weight <sup>3</sup>	: 795 lb
Locked rotor torque	: 220 %		
Breakdown torque	: 260 %		
Insulation class	: F		
Service factor	: 1.25		
Moment of inertia (J)	: 16.8 sq.ft.lb		
Design	: B		
Output	50%	75%	100%
Efficiency (%)	94.5	95.0	95.0
Power Factor	0.73	0.82	0.85
		Foundation loads	
		Max. traction	: 1574 lb
		Max. compression	: 2369 lb
		<u>Drive end</u>	<u>Non drive end</u>
Bearing type	:	6314 C3	6212 Z C3
Sealing	:	Without Bearing Seal	Without Bearing Seal
Lubrication interval	:	20000 h	20000 h
Lubricant amount	:	27 g	13 g
Lubricant type	:	Mobil Polyrex EM	
Notes downloaded from <a href="http://dealerselectric.com">http://dealerselectric.com</a>			
This revision replaces and cancel the previous one, which must be eliminated. (1) Looking the motor from the shaft end. (2) Measured at 1m and with tolerance of +3dB(A). (3) Approximate weight subject to changes after manufacturing process. (4) At 100% of full load.		These are average values based on tests with sinusoidal power supply, subject to the tolerances stipulated in NEMA MG-1.	
Rev.	Changes Summary	Performed	Checked
Performed by			
Checked by		Page	Revision
Date	14/04/2019	1 / 2	

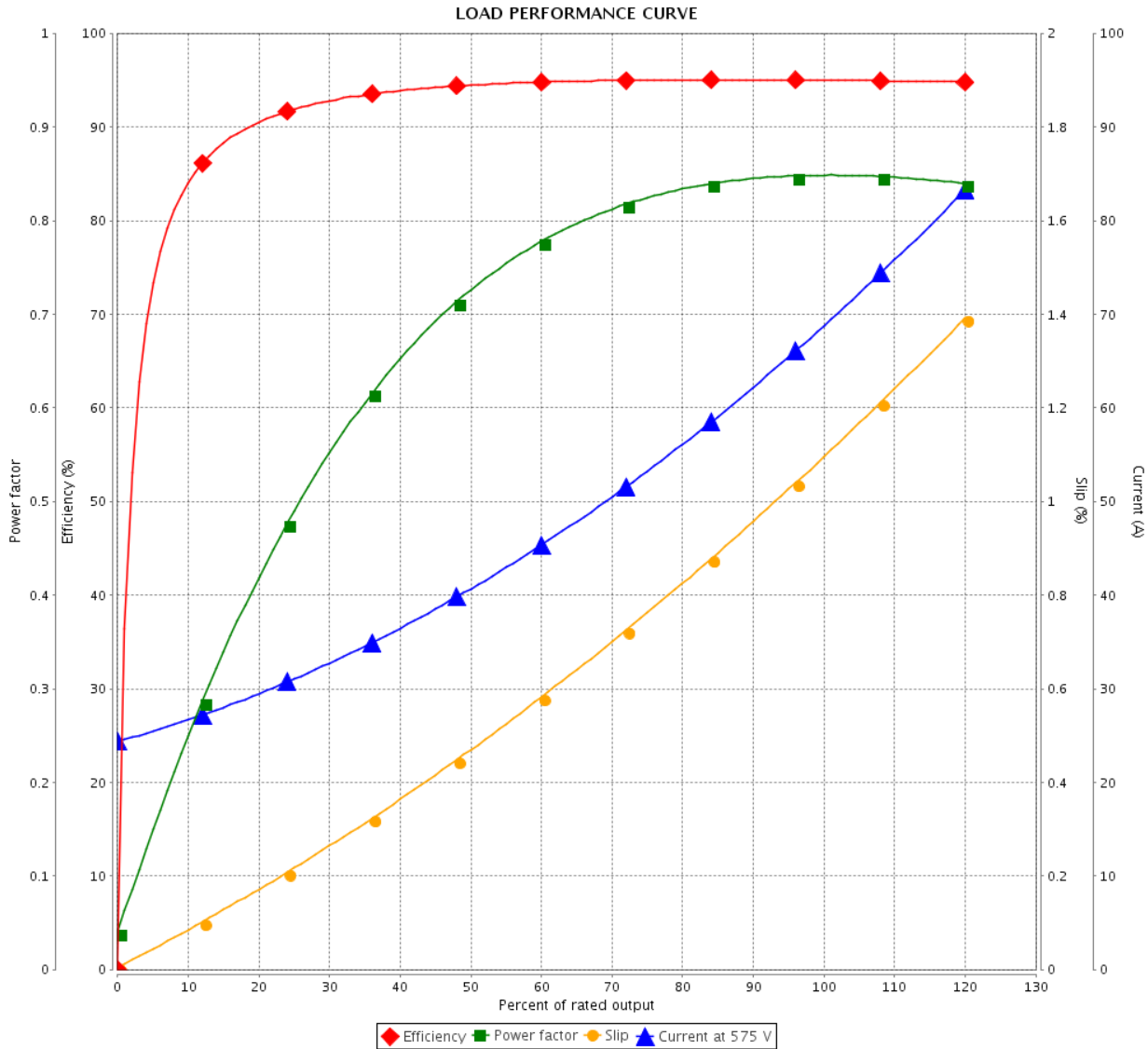
# LOAD PERFORMANCE CURVE



## Three Phase Induction Motor - Squirrel Cage

Customer : Dealers Industrial Equipment 800-469-3110  
 Customer reference : 07518OT3H365TC-W40

Product line : W40 NEMA Premium Efficiency Three-Phase      Product code : 14272520  
 Catalog # : 07518OT3H365TC-W40



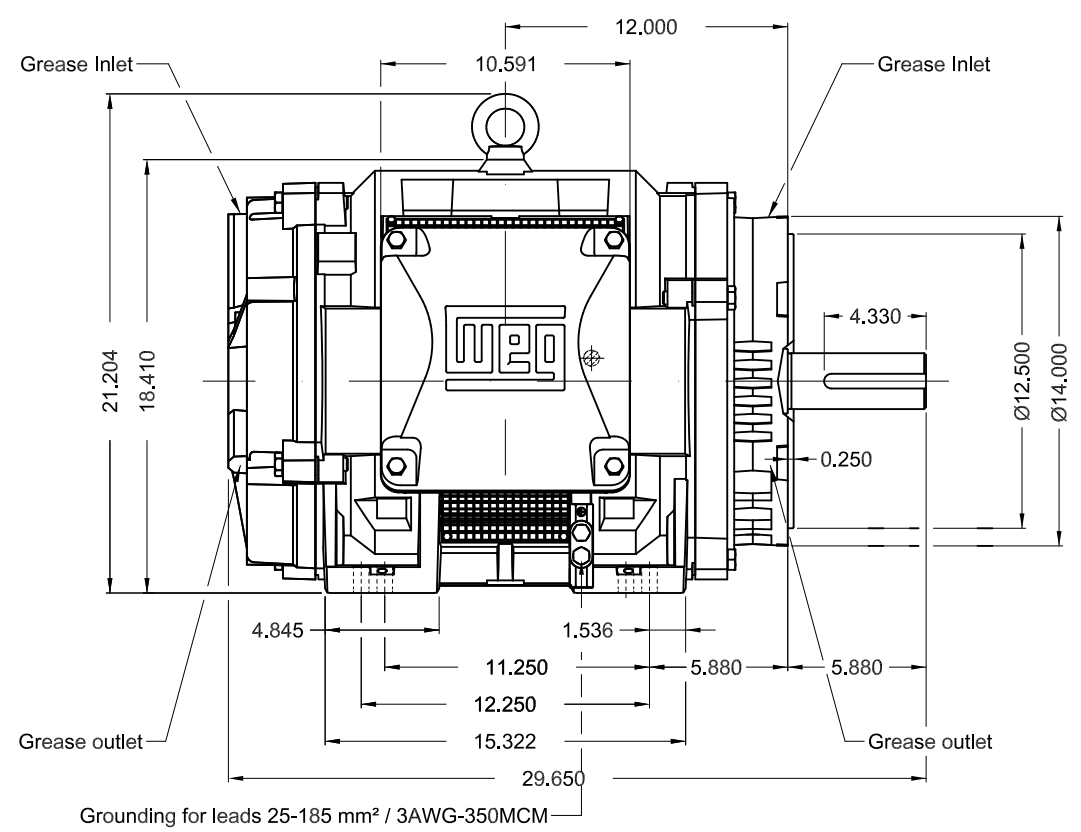
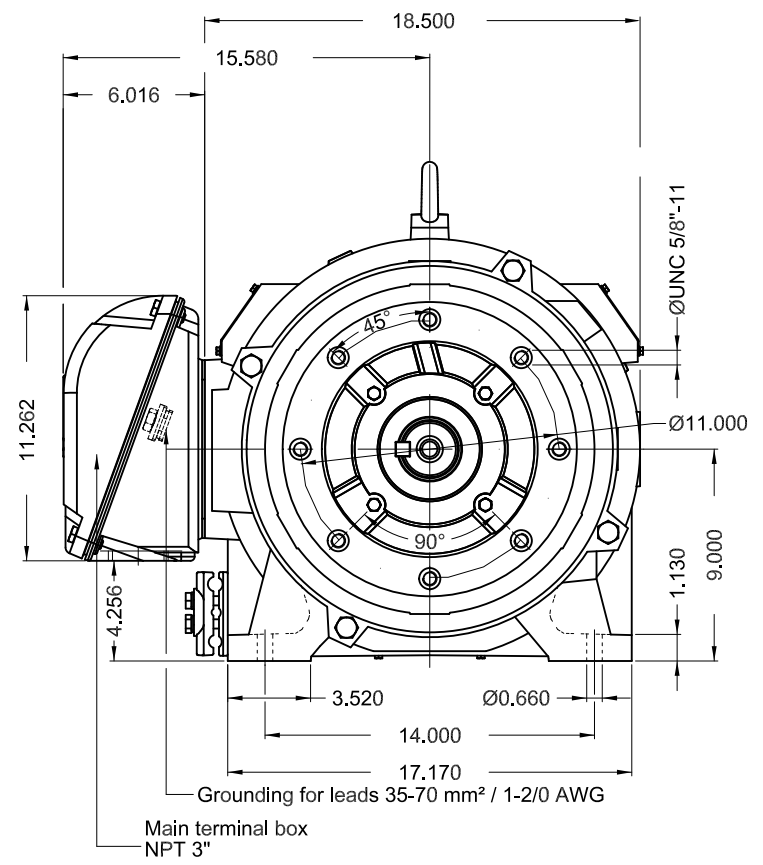
Performance : 575 V 60 Hz 4P

Rated current : 68.4 A	Moment of inertia (J) : 16.8 sq.ft.lb
LRC : 6.8	Duty cycle : Cont.(S1)
Rated torque : 218 ft.lb	Insulation class : F
Locked rotor torque : 220 %	Service factor : 1.25
Breakdown torque : 260 %	Temperature rise : 80 K
Rated speed : 1780 rpm	Design : B

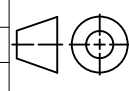
Rev.	Changes Summary	Performed	Checked	Date
Performed by			Page	Revision
Checked by				
Date				

Dimensões em polegada  
Dimensions in inches

THIS IS AN UPDATED REVISION, THE  
PREVIOUS ONE MUST BE DISREGARDED.



Color RAL 5009  
Painting plan 203A  
Mounting B34R(D)

					SCALE	1:8		
ECM	LOC	SUMMARY OF MODIFICATIONS		EXECUTED	CHECKED	RELEASED	DATE	VER
EXECUTED	USERADMIN		THREE PHASE W40 MOTOR NEMA PREMIUM EFF					
CHECKED			FRAME 364/5TC IP23 ODP					
RELEASED			WEG code: 14272520					
REL DT	14.04.2019	WMO	Jaragua do Sul	Product Engineering	SHEET	1 / 1		

75 HP 04 Poles 60Hz

A



ZME A3