

DATA SHEET



Three Phase Induction Motor - Squirrel Cage

Customer : Dealers Industrial Equipment 800-469-3110																			
Customer reference : 07518OT3E365TCF2-W40																			
Product line : W40 NEMA Premium Efficiency Three-Phase		Product code : 14272519																	
		Catalog # : 07518OT3E365TCF2-W40																	
Frame : 364/5TC Output : 75 HP (55 kW) Poles : 4 Frequency : 60 Hz Rated voltage : 208-230/460 V Rated current : 189-171/85.5 A L. R. Amperes : 1286-1163/581 A LRC : 6.8x(Code G) No load current : 52.6-61.0/30.5 A Rated speed : 1780 rpm Slip : 1.11 % Rated torque : 218 ft.lb Locked rotor torque : 220 % Breakdown torque : 260 % Insulation class : F Service factor : 1.25 Moment of inertia (J) : 16.8 sq.ft.lb Design : B		Locked rotor time : 25s (cold) 14s (hot) Temperature rise : 80 K Duty cycle : Cont.(S1) Ambient temperature : -20°C to +40°C Altitude : 1000 m.a.s.l. Protection degree : IP23 Cooling method : IC01 - ODP Mounting : F-2 Rotation ¹ : Both (CW and CCW) Noise level ² : 69.0 dB(A) Starting method : Direct On Line Approx. weight ³ : 811 lb																	
<table border="1"> <tr> <td>Output</td> <td>25%</td> <td>50%</td> <td>75%</td> <td>100%</td> </tr> <tr> <td>Efficiency (%)</td> <td>94.4</td> <td>94.5</td> <td>95.0</td> <td>95.0</td> </tr> <tr> <td>Power Factor</td> <td>0.48</td> <td>0.73</td> <td>0.82</td> <td>0.85</td> </tr> </table>		Output	25%	50%	75%	100%	Efficiency (%)	94.4	94.5	95.0	95.0	Power Factor	0.48	0.73	0.82	0.85	Foundation loads Max. traction : 1632 lb Max. compression : 2443 lb		
Output	25%	50%	75%	100%															
Efficiency (%)	94.4	94.5	95.0	95.0															
Power Factor	0.48	0.73	0.82	0.85															
Bearing type : Sealing : Lubrication interval : Lubricant amount : Lubricant type :		<table border="0"> <tr> <td style="text-align: center;"><u>Drive end</u></td> <td style="text-align: center;"><u>Non drive end</u></td> </tr> <tr> <td style="text-align: center;">6314 C3</td> <td style="text-align: center;">6212 Z C3</td> </tr> <tr> <td style="text-align: center;">Without Bearing Seal</td> <td style="text-align: center;">Without Bearing Seal</td> </tr> <tr> <td style="text-align: center;">20000 h</td> <td style="text-align: center;">20000 h</td> </tr> <tr> <td style="text-align: center;">27 g</td> <td style="text-align: center;">13 g</td> </tr> <tr> <td colspan="2" style="text-align: center;">Mobil Polyrex EM</td> </tr> </table>		<u>Drive end</u>	<u>Non drive end</u>	6314 C3	6212 Z C3	Without Bearing Seal	Without Bearing Seal	20000 h	20000 h	27 g	13 g	Mobil Polyrex EM					
<u>Drive end</u>	<u>Non drive end</u>																		
6314 C3	6212 Z C3																		
Without Bearing Seal	Without Bearing Seal																		
20000 h	20000 h																		
27 g	13 g																		
Mobil Polyrex EM																			
Notes downloaded from http://dealerselectric.com																			
This revision replaces and cancel the previous one, which must be eliminated. (1) Looking the motor from the shaft end. (2) Measured at 1m and with tolerance of +3dB(A). (3) Approximate weight subject to changes after manufacturing process. (4) At 100% of full load.		These are average values based on tests with sinusoidal power supply, subject to the tolerances stipulated in NEMA MG-1.																	
Rev.	Changes Summary		Performed	Checked	Date														
Performed by																			
Checked by				Page	Revision														
Date	14/04/2019			1 / 2															

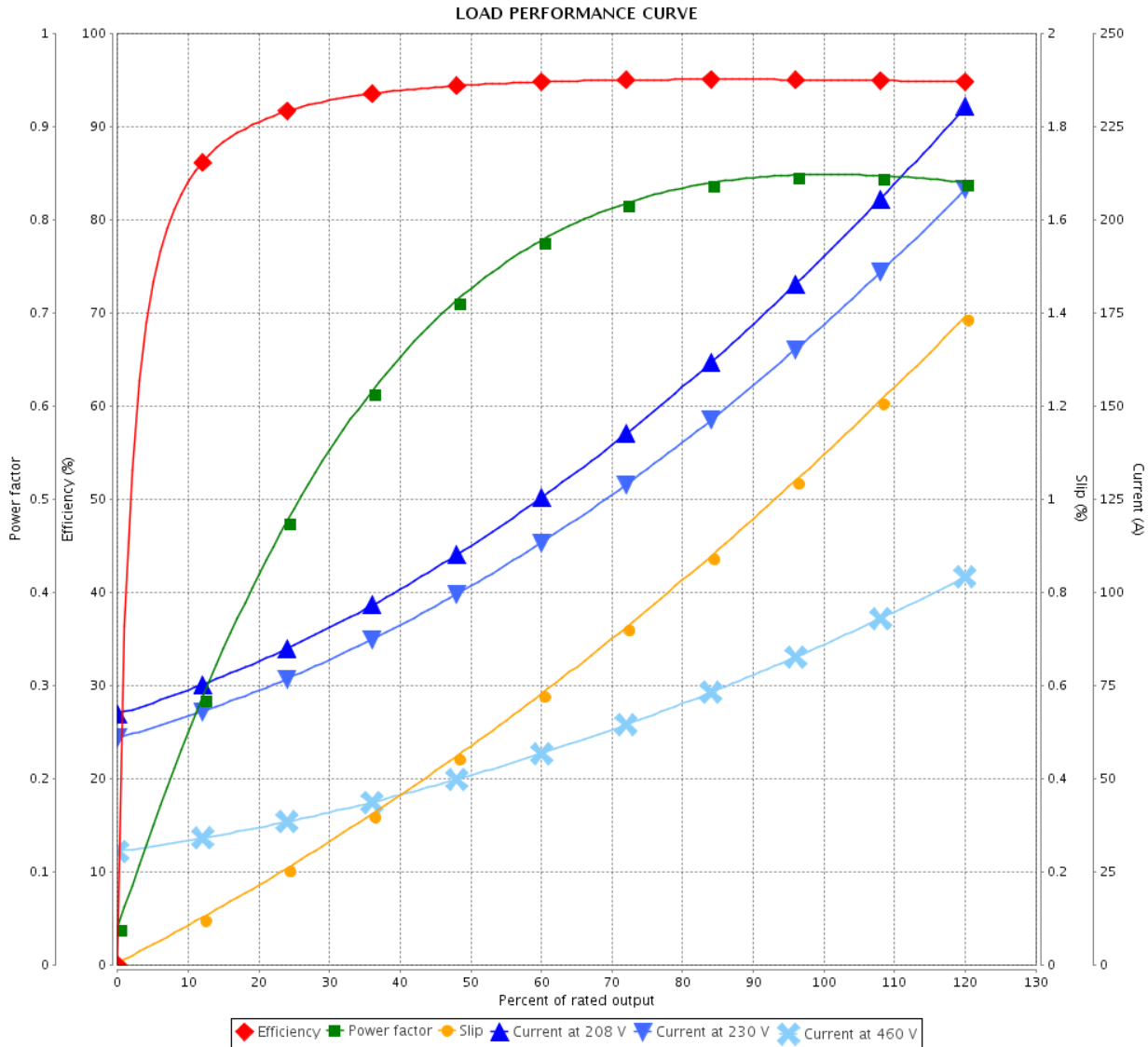
LOAD PERFORMANCE CURVE



Three Phase Induction Motor - Squirrel Cage

Customer : Dealers Industrial Equipment 800-469-3110
 Customer reference : 07518OT3E365TCF2-W40

Product line : W40 NEMA Premium Efficiency Three-Phase Product code : 14272519
 Catalog # : 07518OT3E365TCF2-W40



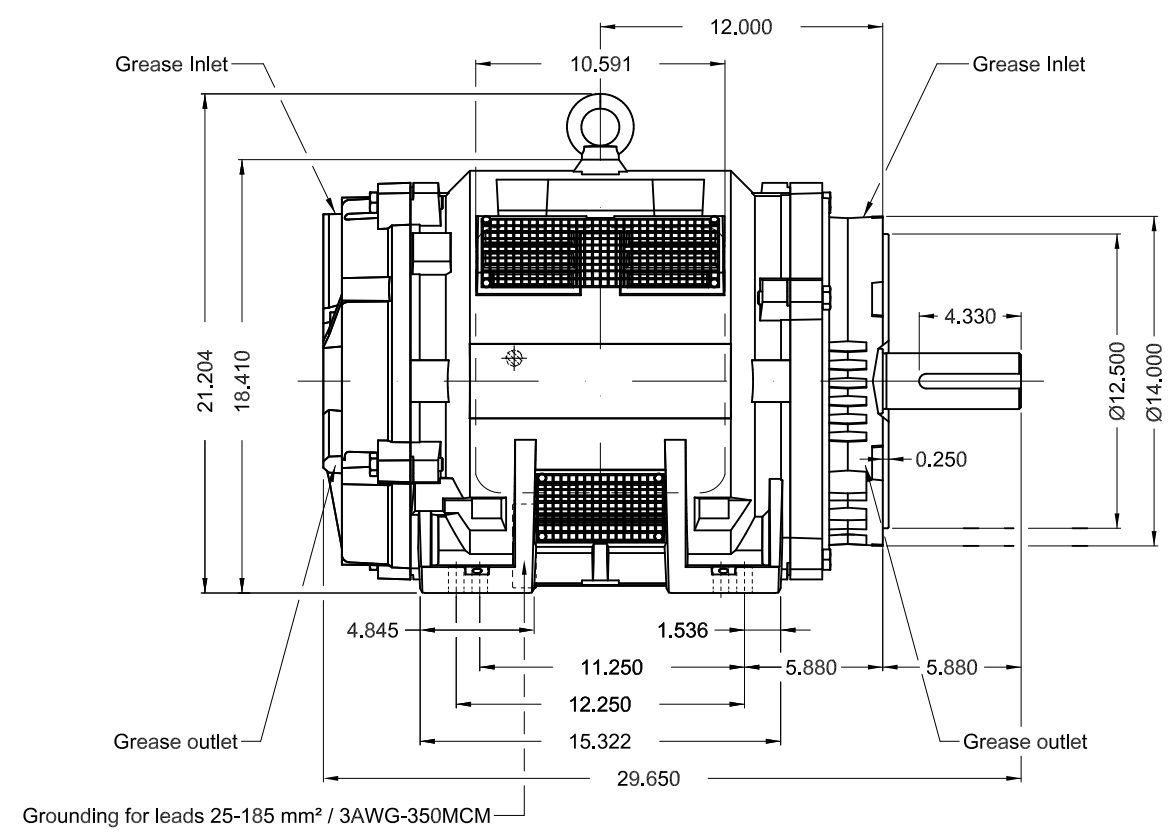
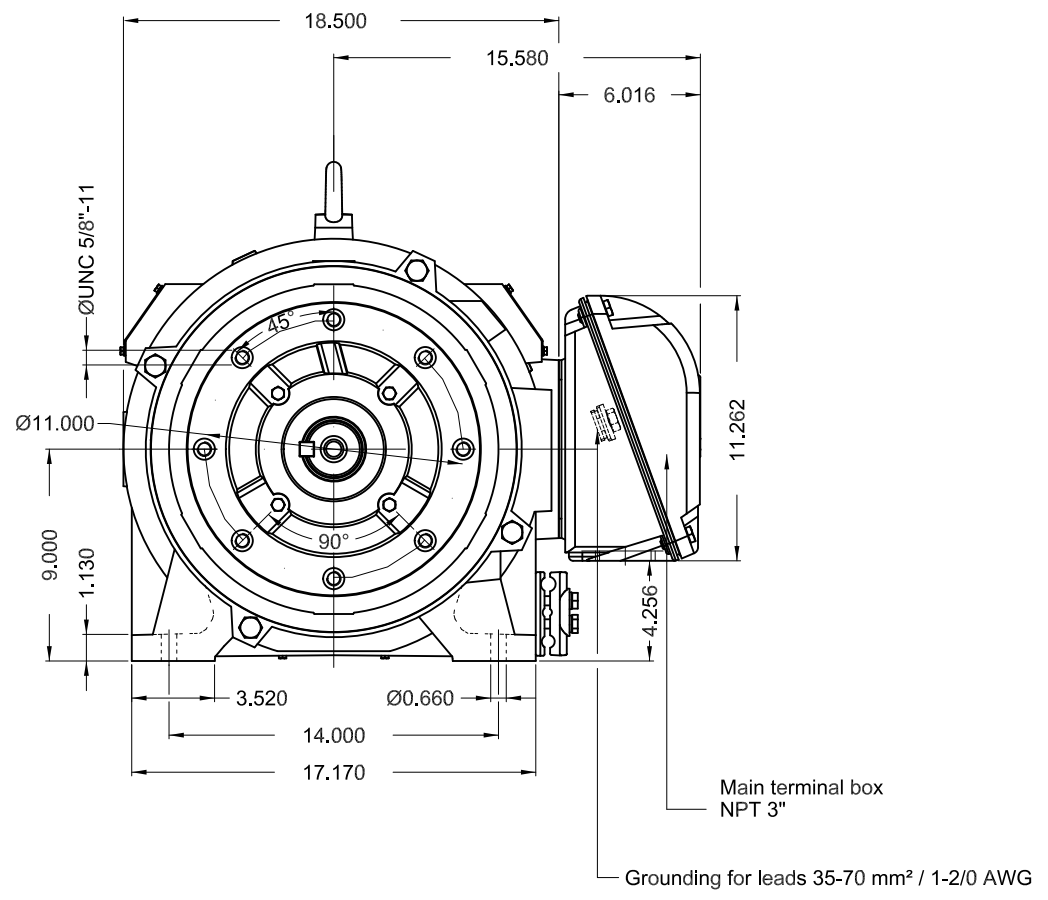
Performance : 208-230/460 V 60 Hz 4P

Rated current : 189-171/85.5 A	Moment of inertia (J) : 16.8 sq.ft.lb
LRC : 6.8	Duty cycle : Cont.(S1)
Rated torque : 218 ft.lb	Insulation class : F
Locked rotor torque : 220 %	Service factor : 1.25
Breakdown torque : 260 %	Temperature rise : 80 K
Rated speed : 1780 rpm	Design : B

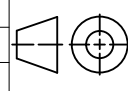
Rev.	Changes Summary	Performed	Checked	Date
Performed by			Page 2 / 2	Revision
Checked by				
Date	14/04/2019			

Dimensões em polegada
Dimensions in inches

THIS IS AN UPDATED REVISION, THE
PREVIOUS ONE MUST BE DISREGARDED.



Color RAL 5009
Painting plan 203A
Mounting B34L(E)

					SCALE	1:8		
ECM	LOC	SUMMARY OF MODIFICATIONS		EXECUTED	CHECKED	RELEASED	DATE	VER
EXECUTED	USERADMIN		THREE PHASE W40 MOTOR NEMA PREMIUM EFF					
CHECKED			FRAME 364/5TC IP23 ODP					
RELEASED			WEG code: 14272519					
REL DT	14.04.2019	WMO	Jaragua do Sul	Product Engineering	SHEET	1 / 1		

75 HP 04 Poles 60Hz

A

