

DATA SHEET



Three Phase Induction Motor - Squirrel Cage

Customer	: Dealers Industrial Equipment 800-469-3110				
Customer reference	: 06018OT3H364TC-W40				
Product line	: W40 NEMA Premium Efficiency Three-Phase	Product code :	14272487		
		Catalog # :	06018OT3H364TC-W40		
Frame	: 364/5TC	Locked rotor time	: 34s (cold) 19s (hot)		
Output	: 60 HP (45 kW)	Temperature rise	: 80 K		
Poles	: 4	Duty cycle	: Cont.(S1)		
Frequency	: 60 Hz	Ambient temperature	: -20°C to +40°C		
Rated voltage	: 575 V	Altitude	: 1000 m.a.s.l.		
Rated current	: 55.9 A	Protection degree	: IP23		
L. R. Amperes	: 363 A	Cooling method	: IC01 - ODP		
LRC	: 6.5x(Code G)	Mounting	: F-1		
No load current	: 19.8 A	Rotation ¹	: Both (CW and CCW)		
Rated speed	: 1780 rpm	Noise level ²	: 69.0 dB(A)		
Slip	: 1.11 %	Starting method	: Direct On Line		
Rated torque	: 175 ft.lb	Approx. weight ³	: 769 lb		
Locked rotor torque	: 200 %				
Breakdown torque	: 240 %				
Insulation class	: F				
Service factor	: 1.25				
Moment of inertia (J)	: 15.6 sq.ft.lb				
Design	: B				
Output	50%	75%	100%	Foundation loads	
Efficiency (%)	94.5	95.0	95.0	Max. traction : 1071 lb	
Power Factor	0.73	0.82	0.85	Max. compression : 1840 lb	
		<u>Drive end</u>	<u>Non drive end</u>		
Bearing type	:	6314 C3	6212 Z C3		
Sealing	:	Without Bearing Seal	Without Bearing Seal		
Lubrication interval	:	20000 h	20000 h		
Lubricant amount	:	27 g	13 g		
Lubricant type	:	Mobil Polyrex EM			
Notes downloaded from http://dealerselectric.com					
This revision replaces and cancel the previous one, which must be eliminated. (1) Looking the motor from the shaft end. (2) Measured at 1m and with tolerance of +3dB(A). (3) Approximate weight subject to changes after manufacturing process. (4) At 100% of full load.			These are average values based on tests with sinusoidal power supply, subject to the tolerances stipulated in NEMA MG-1.		
Rev.	Changes Summary		Performed	Checked	Date
Performed by					
Checked by				Page	Revision
Date	14/04/2019			1 / 2	

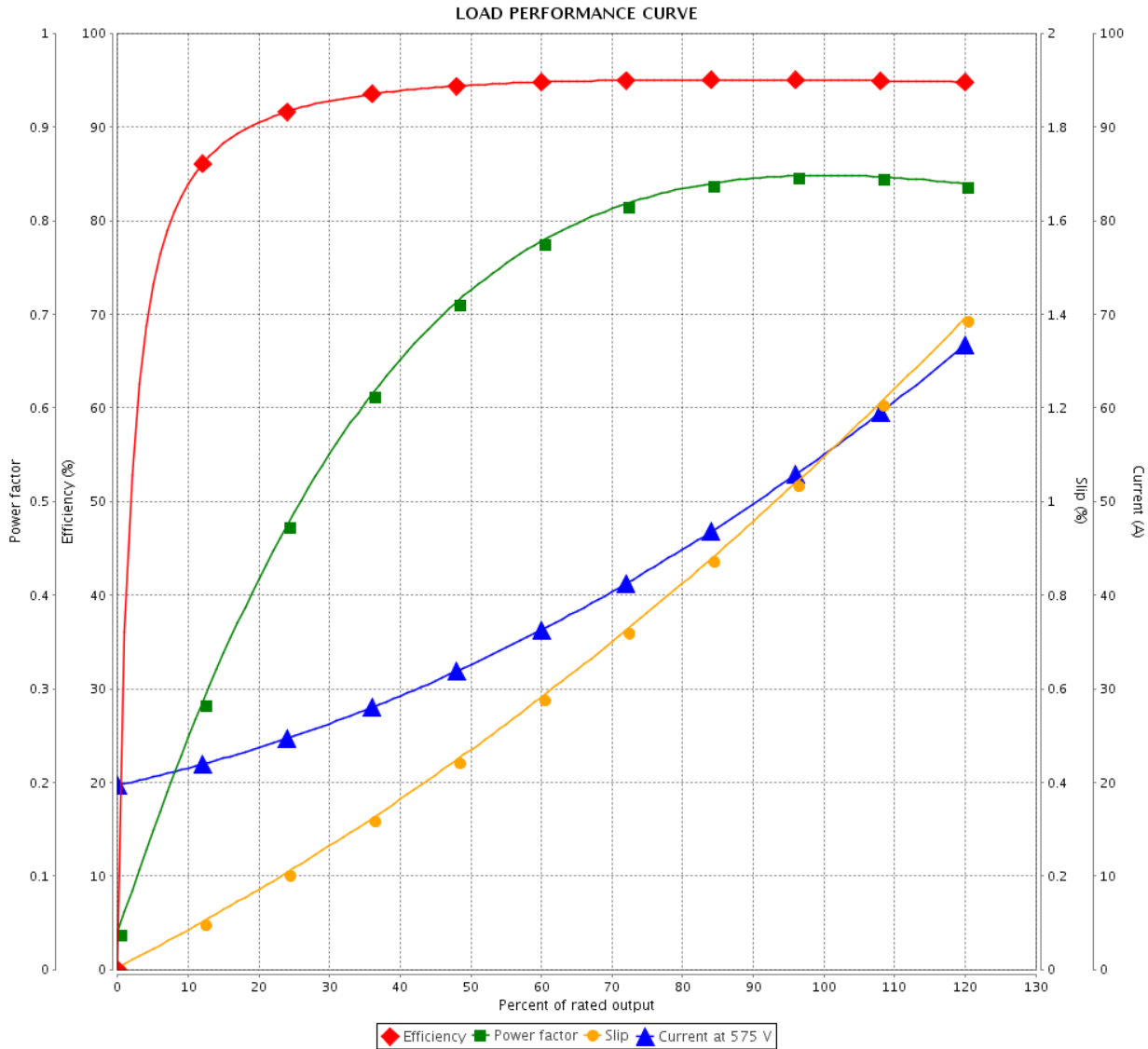
LOAD PERFORMANCE CURVE



Three Phase Induction Motor - Squirrel Cage

Customer : Dealers Industrial Equipment 800-469-3110
 Customer reference : 06018OT3H364TC-W40

Product line : W40 NEMA Premium Efficiency Three-Phase Product code : 14272487
 Catalog # : 06018OT3H364TC-W40



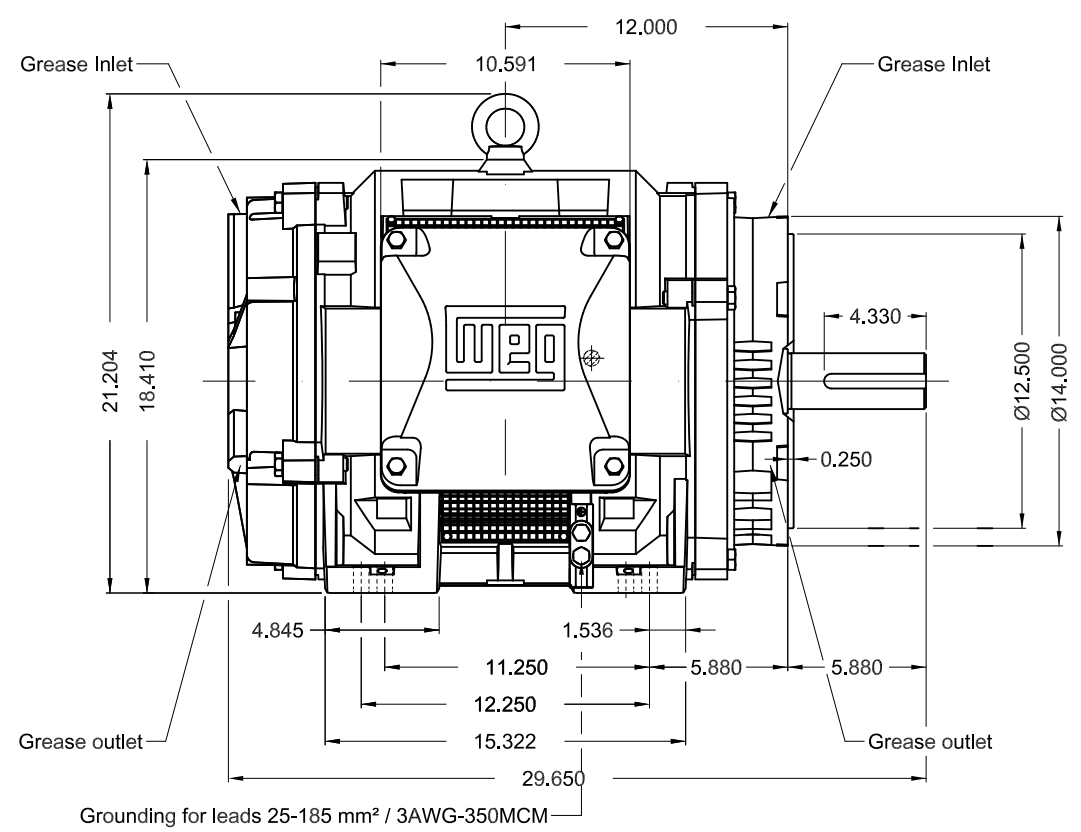
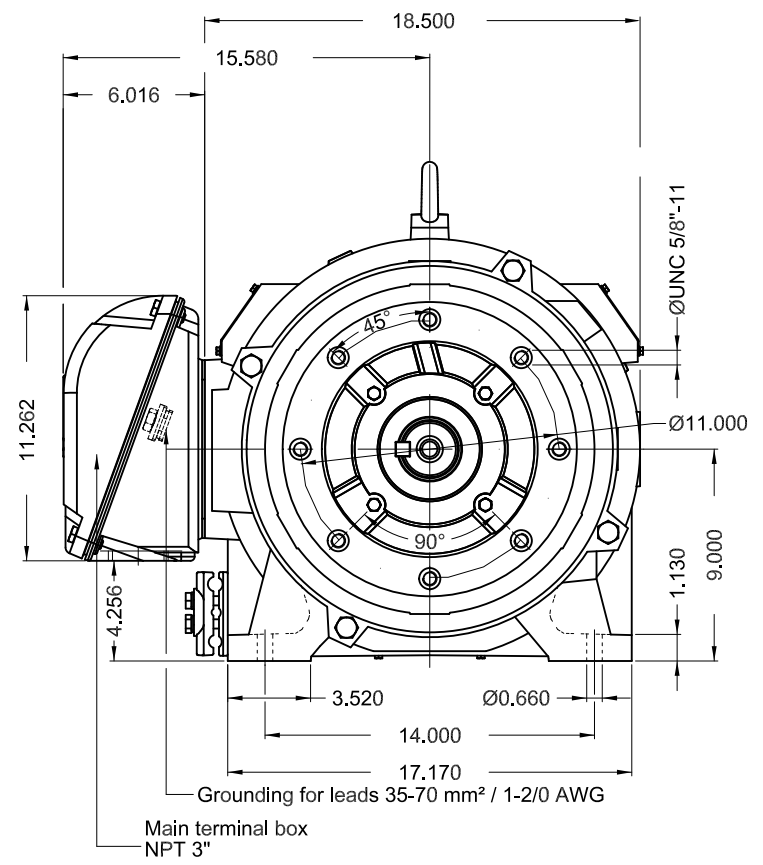
Performance : 575 V 60 Hz 4P

Rated current : 55.9 A	Moment of inertia (J) : 15.6 sq.ft.lb
LRC : 6.5	Duty cycle : Cont.(S1)
Rated torque : 175 ft.lb	Insulation class : F
Locked rotor torque : 200 %	Service factor : 1.25
Breakdown torque : 240 %	Temperature rise : 80 K
Rated speed : 1780 rpm	Design : B

Rev.	Changes Summary	Performed	Checked	Date
Performed by			Page	Revision
Checked by			2 / 2	
Date	14/04/2019			

Dimensões em polegada
Dimensions in inches

THIS IS AN UPDATED REVISION, THE
PREVIOUS ONE MUST BE DISREGARDED.



Color RAL 5009						
Painting plan 203A						
Mounting B34R(D)						
					SCALE	1:8
ECM	LOC	SUMMARY OF MODIFICATIONS			EXECUTED	CHECKED
EXECUTED	USERADMIN	THREE PHASE W40 MOTOR NEMA PREMIUM EFF				
CHECKED		FRAME 364/5TC IP23 ODP				
RELEASED		WEG code: 14272487				
REL DT	14.04.2019	WMO	Jaragua do Sul	Product Engineering	SHEET	1 / 1

60 HP 04 Poles 60Hz

A

