

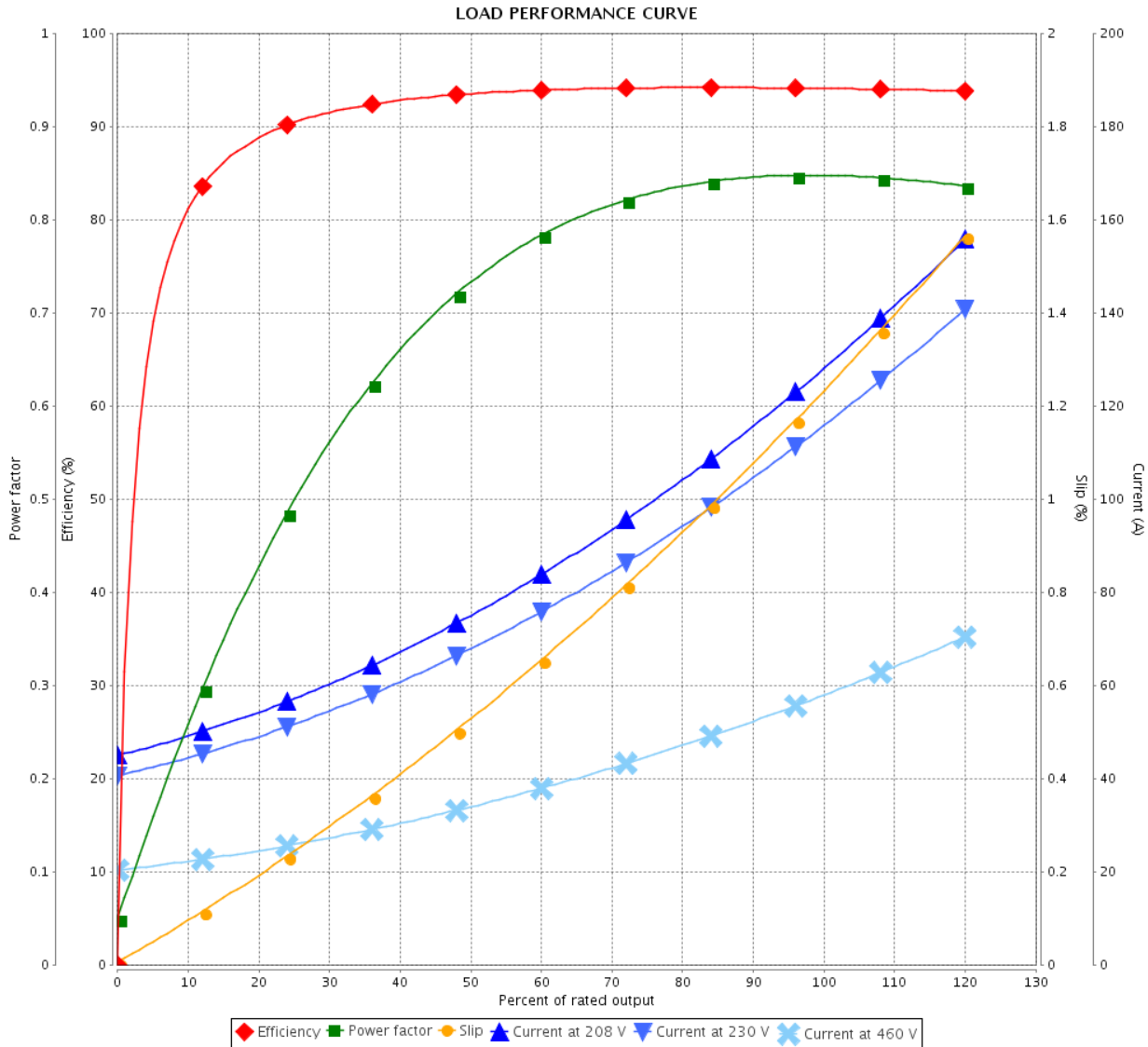
LOAD PERFORMANCE CURVE



Three Phase Induction Motor - Squirrel Cage

Customer : Dealers Industrial Equipment 800-469-3110
 Customer reference : 05012OT3E365TC-W40

Product line : W40 NEMA Premium Efficiency Three-Phase Product code : 14272484
 Catalog # : 05012OT3E365TC-W40



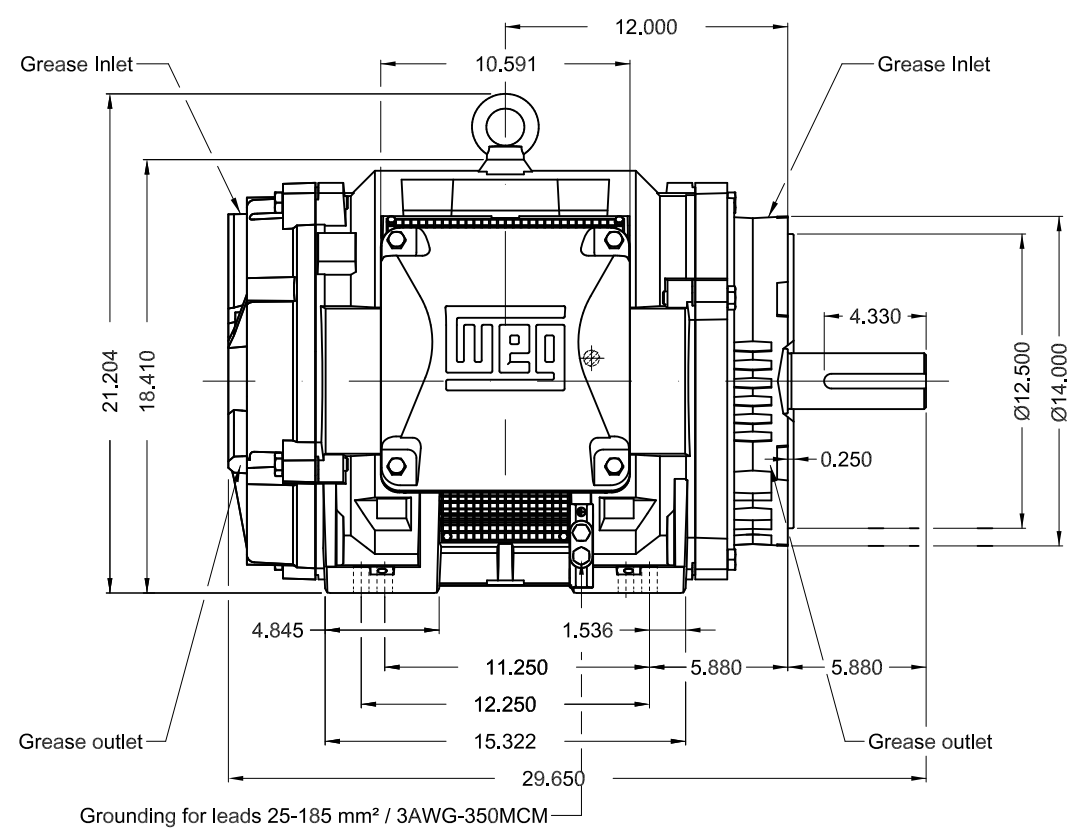
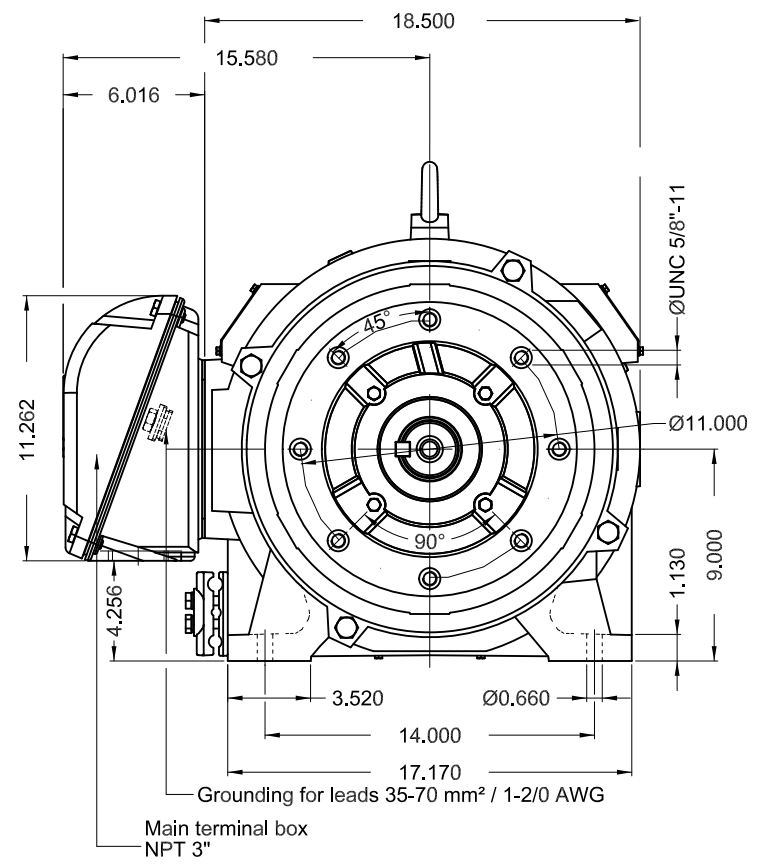
Performance : 208-230/460 V 60 Hz 6P

| | |
|--------------------------------|---------------------------------------|
| Rated current : 128-116/58.1 A | Moment of inertia (J) : 23.9 sq.ft.lb |
| LRC : 6.7 | Duty cycle : Cont.(S1) |
| Rated torque : 219 ft.lb | Insulation class : F |
| Locked rotor torque : 220 % | Service factor : 1.25 |
| Breakdown torque : 240 % | Temperature rise : 80 K |
| Rated speed : 1185 rpm | Design : B |

| Rev. | Changes Summary | Performed | Checked | Date |
|--------------|-----------------|-----------|---------|----------|
| | | | | |
| Performed by | | | Page | Revision |
| Checked by | | | | |
| Date | | | | |

Dimensões em polegada
Dimensions in inches

THIS IS AN UPDATED REVISION, THE
PREVIOUS ONE MUST BE DISREGARDED.



| | | | | | | | | | | |
|--------------------|------------|--|----------------|---------------------|-------|----------|---------|----------|------|-----|
| Color RAL 5009 | | | | | | | | | | |
| Painting plan 203A | | | | | | | | | | |
| Mounting B34R(D) | | | | | | | | | | |
| | | | | | | | | SCALE | 1:8 | |
| ECM | LOC | SUMMARY OF MODIFICATIONS | | | | EXECUTED | CHECKED | RELEASED | DATE | VER |
| EXECUTED | USERADMIN | THREE PHASE W40 MOTOR NEMA PREMIUM EFF | | | | | | | | |
| CHECKED | | FRAME 364/5TC IP23 ODP | | | | | | | | |
| RELEASED | | WEG code: 14272484 | | | | | | | | |
| REL DT | 14.04.2019 | WMO | Jaragua do Sul | Product Engineering | SHEET | 1 / 1 | | | | |

50 HP 06 Poles 60Hz

A

