

# DATA SHEET



## Three Phase Induction Motor - Squirrel Cage

Customer : Dealers Industrial Equipment 800-469-3110		Customer reference : 10036OT3V365TS-W40				
Product line : W40 NEMA Premium Efficiency Three-Phase		Product code : 14272481	Catalog # : 10036OT3V365TS-W40			
Frame : 364/5TS Output : 100 HP (75 kW) Poles : 2 Frequency : 60 Hz Rated voltage : 200/400 V Rated current : 267/133 A L. R. Amperes : 1761/880 A LRC : 6.6x(Code G) No load current : 67.8/33.9 A Rated speed : 3555 rpm Slip : 1.25 % Rated torque : 146 ft.lb Locked rotor torque : 180 % Breakdown torque : 229 % Insulation class : F Service factor : 1.25 Moment of inertia (J) : 7.20 sq.ft.lb Design : B	Locked rotor time : 23s (cold) 13s (hot) Temperature rise : 80 K Duty cycle : Cont.(S1) Ambient temperature : -20°C to +40°C Altitude : 1000 m.a.s.l. Protection degree : IP23 Cooling method : IC01 - ODP Mounting : F-1 Rotation <sup>1</sup> : Both (CW and CCW) Noise level <sup>2</sup> : 84.0 dB(A) Starting method : Direct On Line Approx. weight <sup>3</sup> : 774 lb					
Output	25%	50%	75%	100%	Foundation loads	
Efficiency (%)	92.2	92.4	93.6	93.6	Max. traction	: 777 lb
Power Factor	0.55	0.77	0.84	0.87	Max. compression	: 1551 lb
		<u>Drive end</u>		<u>Non drive end</u>		
Bearing type	:	6314 C3		6212 Z C3		
Sealing	:	Without Bearing Seal		Without Bearing Seal		
Lubrication interval	:	14418 h		20000 h		
Lubricant amount	:	27 g		13 g		
Lubricant type	:	Mobil Polyrex EM				
Notes downloaded from <a href="http://dealerselectric.com">http://dealerselectric.com</a>						
This revision replaces and cancel the previous one, which must be eliminated. (1) Looking the motor from the shaft end. (2) Measured at 1m and with tolerance of +3dB(A). (3) Approximate weight subject to changes after manufacturing process. (4) At 100% of full load.				These are average values based on tests with sinusoidal power supply, subject to the tolerances stipulated in NEMA MG-1.		
Rev.	Changes Summary			Performed	Checked	Date
Performed by						
Checked by					Page	Revision
Date	15/04/2019				1 / 2	

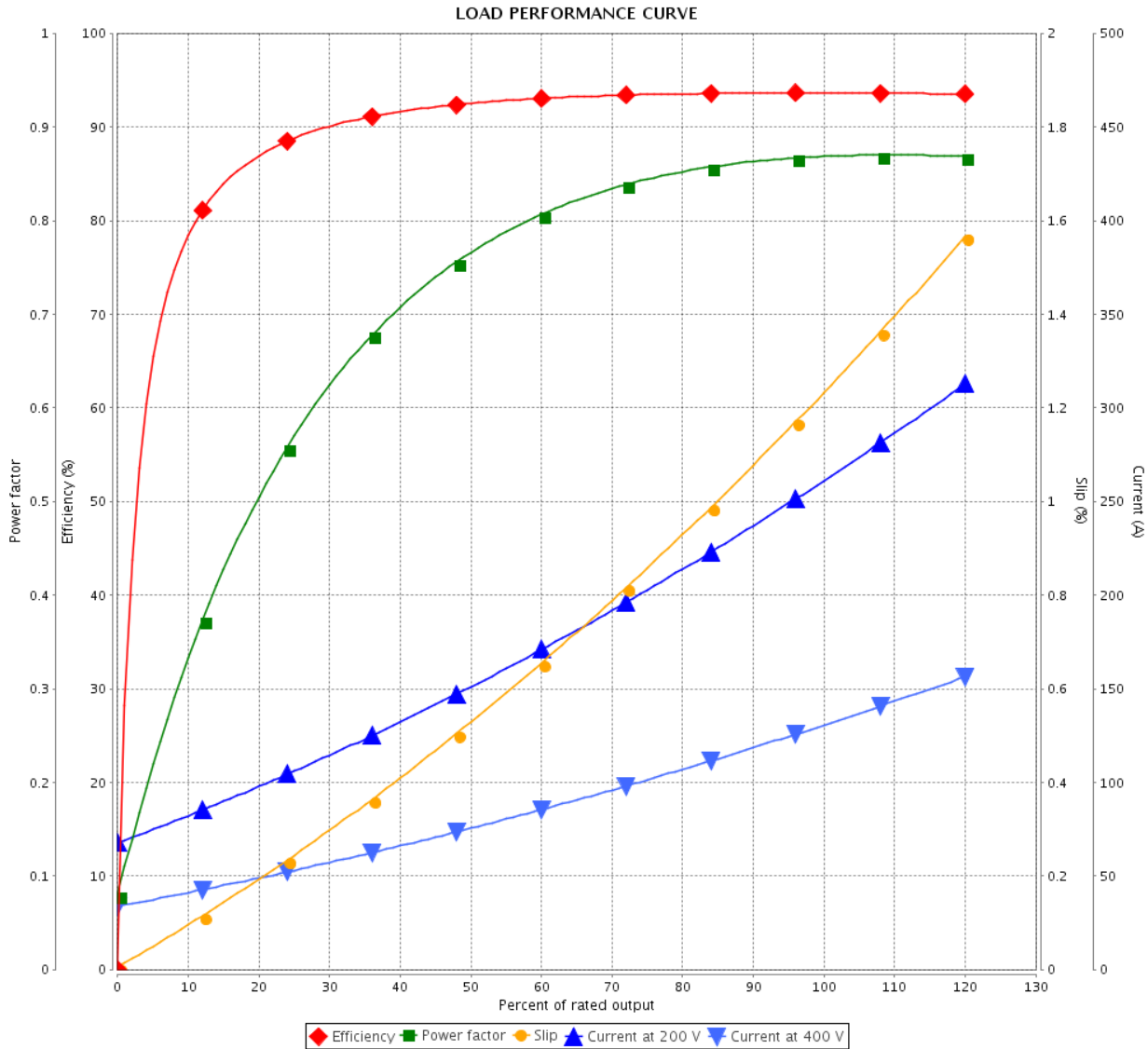
# LOAD PERFORMANCE CURVE



## Three Phase Induction Motor - Squirrel Cage

Customer : Dealers Industrial Equipment 800-469-3110  
 Customer reference : 10036OT3V365TS-W40

Product line : W40 NEMA Premium Efficiency Three-Phase      Product code : 14272481  
 Catalog # : 10036OT3V365TS-W40



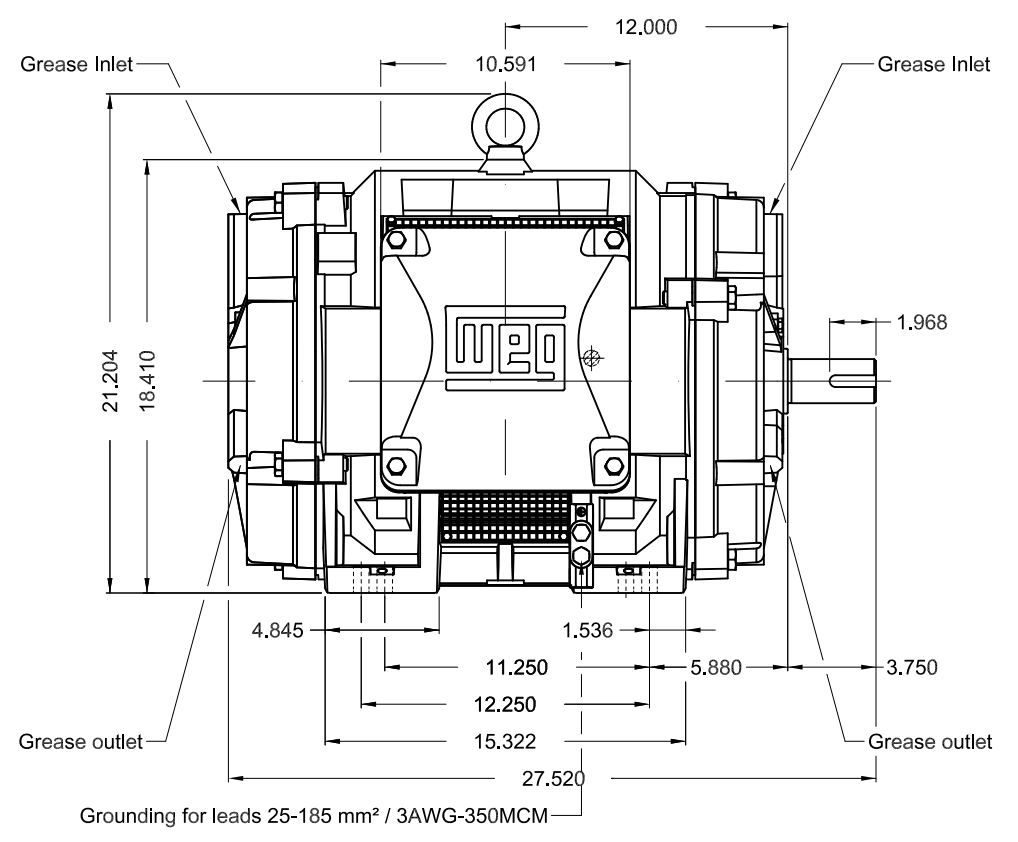
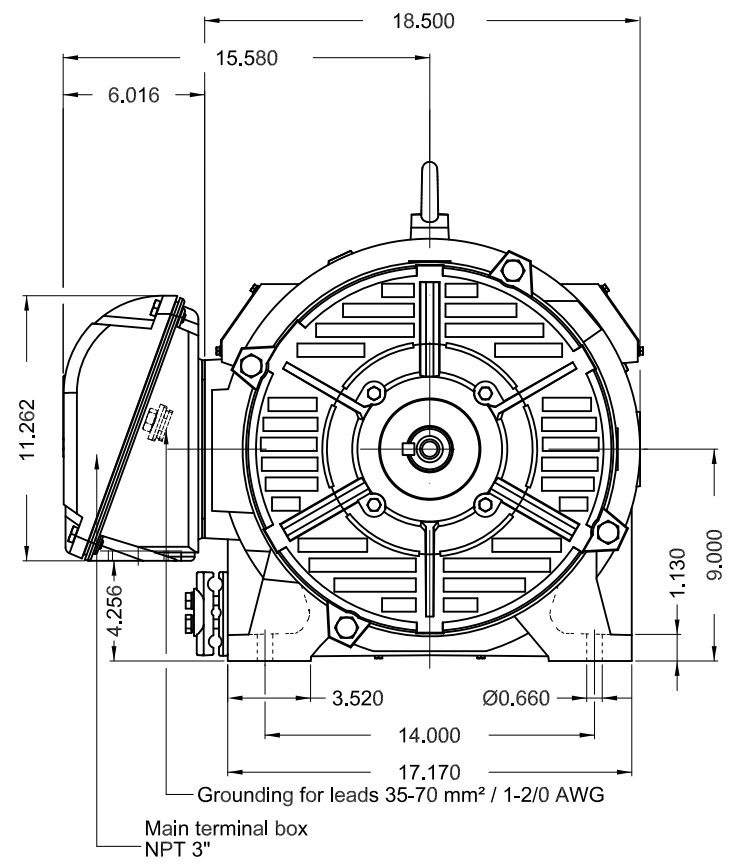
Performance : 200/400 V 60 Hz 2P

Rated current : 267/133 A	Moment of inertia (J) : 7.20 sq.ft.lb
LRC : 6.6	Duty cycle : Cont.(S1)
Rated torque : 146 ft.lb	Insulation class : F
Locked rotor torque : 180 %	Service factor : 1.25
Breakdown torque : 229 %	Temperature rise : 80 K
Rated speed : 3555 rpm	Design : B

Rev.	Changes Summary	Performed	Checked	Date
Performed by			Page 2 / 2	Revision
Checked by				
Date	15/04/2019			

Dimensões em polegada  
Dimensions in inches

THIS IS AN UPDATED REVISION, THE  
PREVIOUS ONE MUST BE DISREGARDED.



Color RAL 5009						
Painting plan 203A						
Mounting B3R(D)						
					SCALE	1:8
ECM	LOC	SUMMARY OF MODIFICATIONS			EXECUTED	CHECKED
EXECUTED	USERADMIN	THREE PHASE W40 MOTOR NEMA PREMIUM EFF				
CHECKED		FRAME 364/5TS IP23 ODP				
RELEASED		WEG code: 14272481				
REL DT	15.04.2019	WMO	Jaragua do Sul	Product Engineering	SHEET	1 / 1

100 HP 02 Poles 60Hz

A

