

DATA SHEET



Three Phase Induction Motor - Squirrel Cage

Customer : Dealers Industrial Equipment 800-469-3110																			
Customer reference : 25018OT3G445TC-W40																			
Product line : W40 NEMA Premium Efficiency Three-Phase	Product code : 14272427 Catalog # : 25018OT3G445TC-W40																		
Frame : 444/5TC Output : 250 HP (185 kW) Poles : 4 Frequency : 60 Hz Rated voltage : 460 V Rated current : 289 A L. R. Amperes : 1850 A LRC : 6.4x(Code G) No load current : 106 A Rated speed : 1780 rpm Slip : 1.11 % Rated torque : 728 ft.lb Locked rotor torque : 210 % Breakdown torque : 240 % Insulation class : F Service factor : 1.15 Moment of inertia (J) : 50.9 sq.ft.lb Design : B	Locked rotor time : 16s (cold) 9s (hot) Temperature rise : 80 K Duty cycle : Cont.(S1) Ambient temperature : -20°C to +40°C Altitude : 1000 m.a.s.l. Protection degree : IP23 Cooling method : IC01 - ODP Mounting : F-1 Rotation ¹ : Both (CW and CCW) Noise level ² : 78.0 dB(A) Starting method : Direct On Line Approx. weight ³ : 1585 lb																		
Output	25% 50% 75% 100%																		
Efficiency (%)	95.3 95.4 95.8 95.8																		
Power Factor	0.46 0.72 0.80 0.84																		
Foundation loads																			
Max. traction : 4298 lb																			
Max. compression : 5883 lb																			
<table border="0"> <tr> <td></td> <td style="text-align: center;"><u>Drive end</u></td> <td style="text-align: center;"><u>Non drive end</u></td> </tr> <tr> <td>Bearing type :</td> <td style="text-align: center;">6319 C3</td> <td style="text-align: center;">6314 C3</td> </tr> <tr> <td>Sealing :</td> <td style="text-align: center;">Without Bearing Seal</td> <td style="text-align: center;">Without Bearing Seal</td> </tr> <tr> <td>Lubrication interval :</td> <td style="text-align: center;">20000 h</td> <td style="text-align: center;">20000 h</td> </tr> <tr> <td>Lubricant amount :</td> <td style="text-align: center;">45 g</td> <td style="text-align: center;">27 g</td> </tr> <tr> <td>Lubricant type :</td> <td colspan="2" style="text-align: center;">Mobil Polyrex EM</td> </tr> </table>			<u>Drive end</u>	<u>Non drive end</u>	Bearing type :	6319 C3	6314 C3	Sealing :	Without Bearing Seal	Without Bearing Seal	Lubrication interval :	20000 h	20000 h	Lubricant amount :	45 g	27 g	Lubricant type :	Mobil Polyrex EM	
	<u>Drive end</u>	<u>Non drive end</u>																	
Bearing type :	6319 C3	6314 C3																	
Sealing :	Without Bearing Seal	Without Bearing Seal																	
Lubrication interval :	20000 h	20000 h																	
Lubricant amount :	45 g	27 g																	
Lubricant type :	Mobil Polyrex EM																		
Notes downloaded from http://dealerselectric.com																			
This revision replaces and cancel the previous one, which must be eliminated. (1) Looking the motor from the shaft end. (2) Measured at 1m and with tolerance of +3dB(A). (3) Approximate weight subject to changes after manufacturing process. (4) At 100% of full load.																			
These are average values based on tests with sinusoidal power supply, subject to the tolerances stipulated in NEMA MG-1.																			
Rev.	Changes Summary	Performed	Checked	Date															
Performed by																			
Checked by			Page	Revision															
Date	16/04/2019		1 / 2																

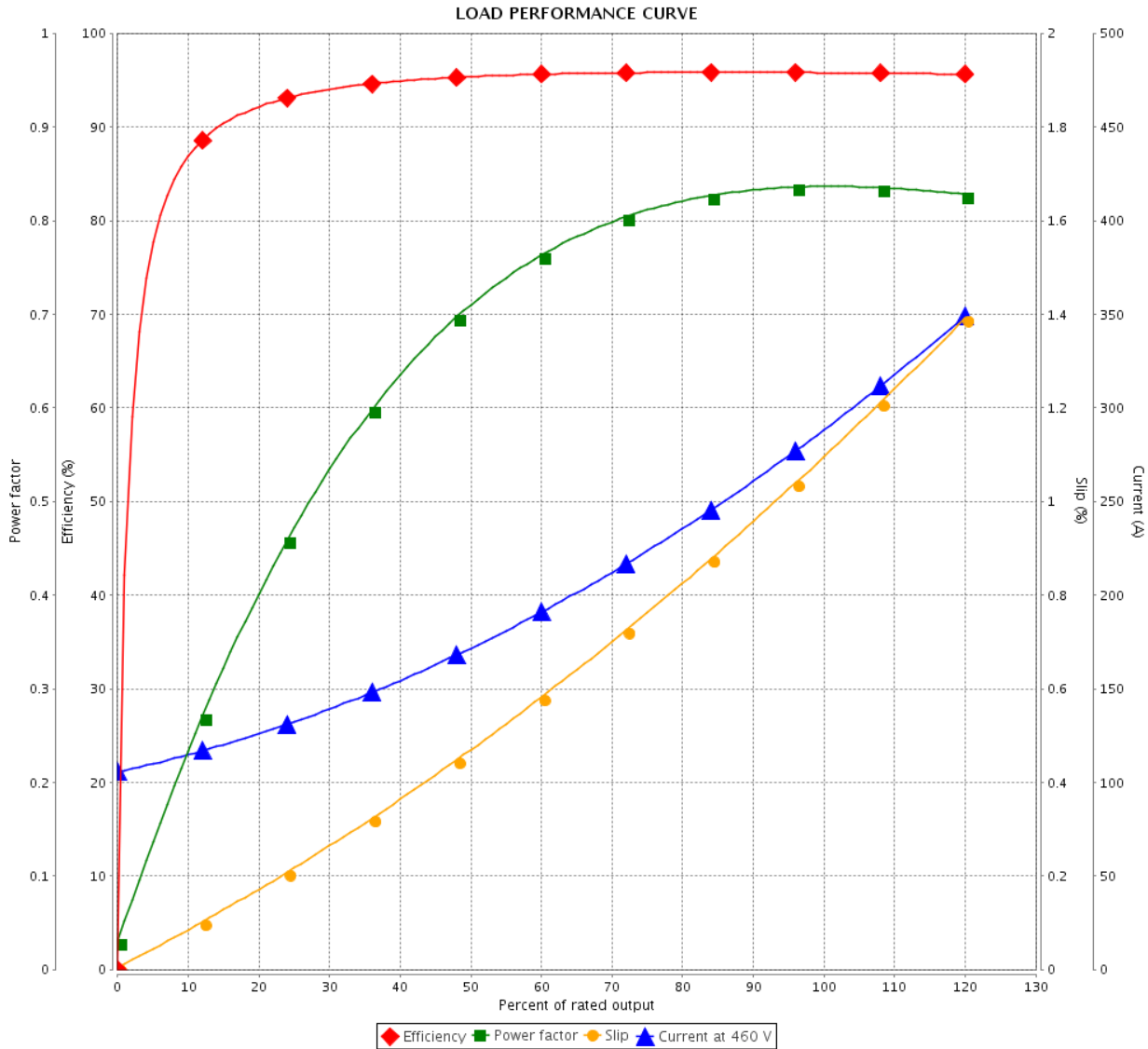
LOAD PERFORMANCE CURVE

Three Phase Induction Motor - Squirrel Cage



Customer : Dealers Industrial Equipment 800-469-3110
 Customer reference : 25018OT3G445TC-W40

Product line : W40 NEMA Premium Efficiency Three-Phase Product code : 14272427
 Catalog # : 25018OT3G445TC-W40



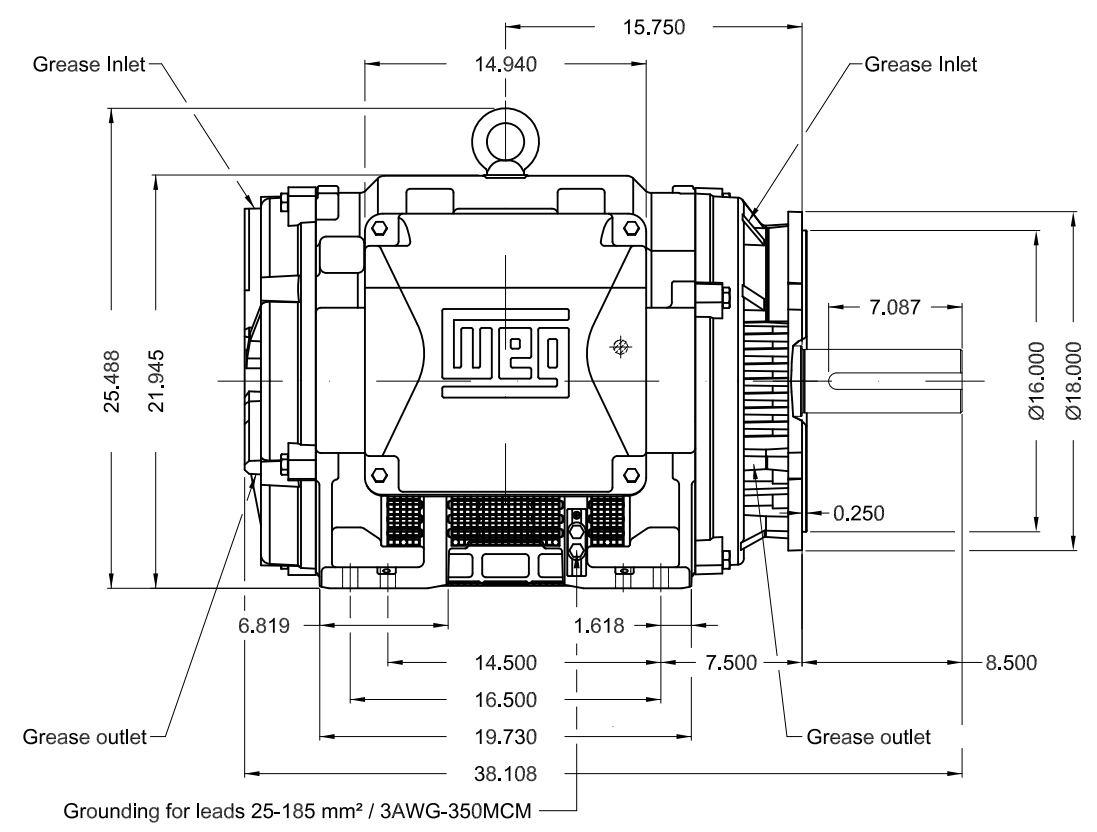
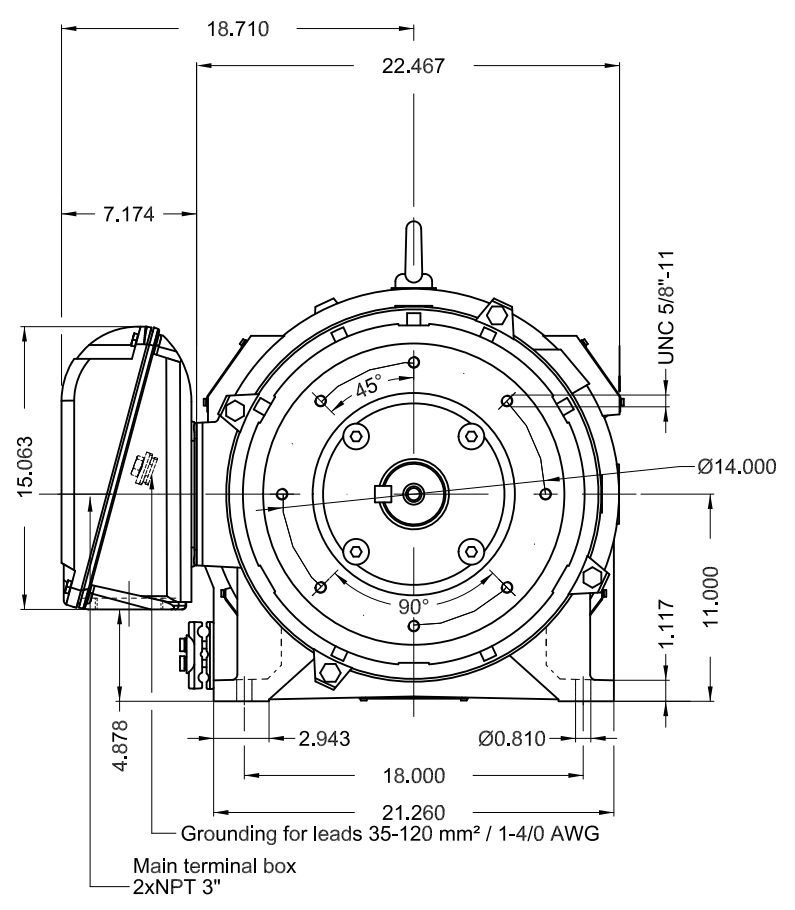
Performance : 460 V 60 Hz 4P

Rated current : 289 A	Moment of inertia (J) : 50.9 sq.ft.lb
LRC : 6.4	Duty cycle : Cont.(S1)
Rated torque : 728 ft.lb	Insulation class : F
Locked rotor torque : 210 %	Service factor : 1.15
Breakdown torque : 240 %	Temperature rise : 80 K
Rated speed : 1780 rpm	Design : B

Rev.	Changes Summary	Performed	Checked	Date
Performed by			Page 2 / 2	Revision
Checked by				
Date	16/04/2019			

Dimensões em polegada
Dimensions in inches

THIS IS AN UPDATED REVISION, THE
PREVIOUS ONE MUST BE DISREGARDED.



C3 NDE bearing									
Color RAL 5009									
Painting plan 203A									
Mounting B34R(D)									
								SCALE	1:10
ECM		LOC		SUMMARY OF MODIFICATIONS		EXECUTED		CHECKED	
EXECUTED		USERADMIN		THREE PHASE W40 MOTOR NEMA PREMIUM EFF					
CHECKED				FRAME 444/5TC IP23 ODP					
RELEASED				WEG code: 14272427					
REL DT		16.04.2019		WMO Jaragua do Sul		Product Engineering		SHEET 1 / 1	

250 HP 04 Poles 60Hz

A



ZME A3