

DATA SHEET



Three Phase Induction Motor - Squirrel Cage

Customer		: Dealers Industrial Equipment 800-469-3110			
Customer reference		: 25018OT3G445T-W40			
Product line		: W40 NEMA Premium Efficiency Three-Phase		Product code : 14272426	
				Catalog # : 25018OT3G445T-W40	
Frame		: 444/5T		Locked rotor time	
Output		: 250 HP (185 kW)		: 16s (cold) 9s (hot)	
Poles		: 4		Temperature rise	
Frequency		: 60 Hz		: 80 K	
Rated voltage		: 460 V		Duty cycle	
Rated current		: 289 A		: Cont.(S1)	
L. R. Amperes		: 1850 A		Ambient temperature	
LRC		: 6.4x(Code G)		: -20°C to +40°C	
No load current		: 106 A		Altitude	
Rated speed		: 1780 rpm		: 1000 m.a.s.l.	
Slip		: 1.11 %		Protection degree	
Rated torque		: 728 ft.lb		: IP23	
Locked rotor torque		: 210 %		Cooling method	
Breakdown torque		: 240 %		: IC01 - ODP	
Insulation class		: F		Mounting	
Service factor		: 1.15		: F-1	
Moment of inertia (J)		: 50.9 sq.ft.lb		Rotation ¹	
Design		: B		: Both (CW and CCW)	
				Noise level ²	
				: 78.0 dB(A)	
				Starting method	
				: Direct On Line	
				Approx. weight ³	
				: 1532 lb	
Output		25%	50%	75%	100%
Efficiency (%)		95.3	95.4	95.8	95.8
Power Factor		0.46	0.72	0.80	0.84
		Foundation loads			
		Max. traction : 4325 lb			
		Max. compression : 5856 lb			
		<u>Drive end</u>		<u>Non drive end</u>	
Bearing type		: 6319 C3		: 6314 C3	
Sealing		: Without Bearing Seal		: Without Bearing Seal	
Lubrication interval		: 20000 h		: 20000 h	
Lubricant amount		: 45 g		: 27 g	
Lubricant type		: Mobil Polyrex EM			
Notes					
downloaded from http://dealerselectric.com					
This revision replaces and cancel the previous one, which must be eliminated.			These are average values based on tests with sinusoidal power supply, subject to the tolerances stipulated in NEMA MG-1.		
(1) Looking the motor from the shaft end.					
(2) Measured at 1m and with tolerance of +3dB(A).					
(3) Approximate weight subject to changes after manufacturing process.					
(4) At 100% of full load.					
Rev.	Changes Summary			Performed	Checked
Performed by					
Checked by				Page	Revision
Date	16/04/2019			1 / 2	

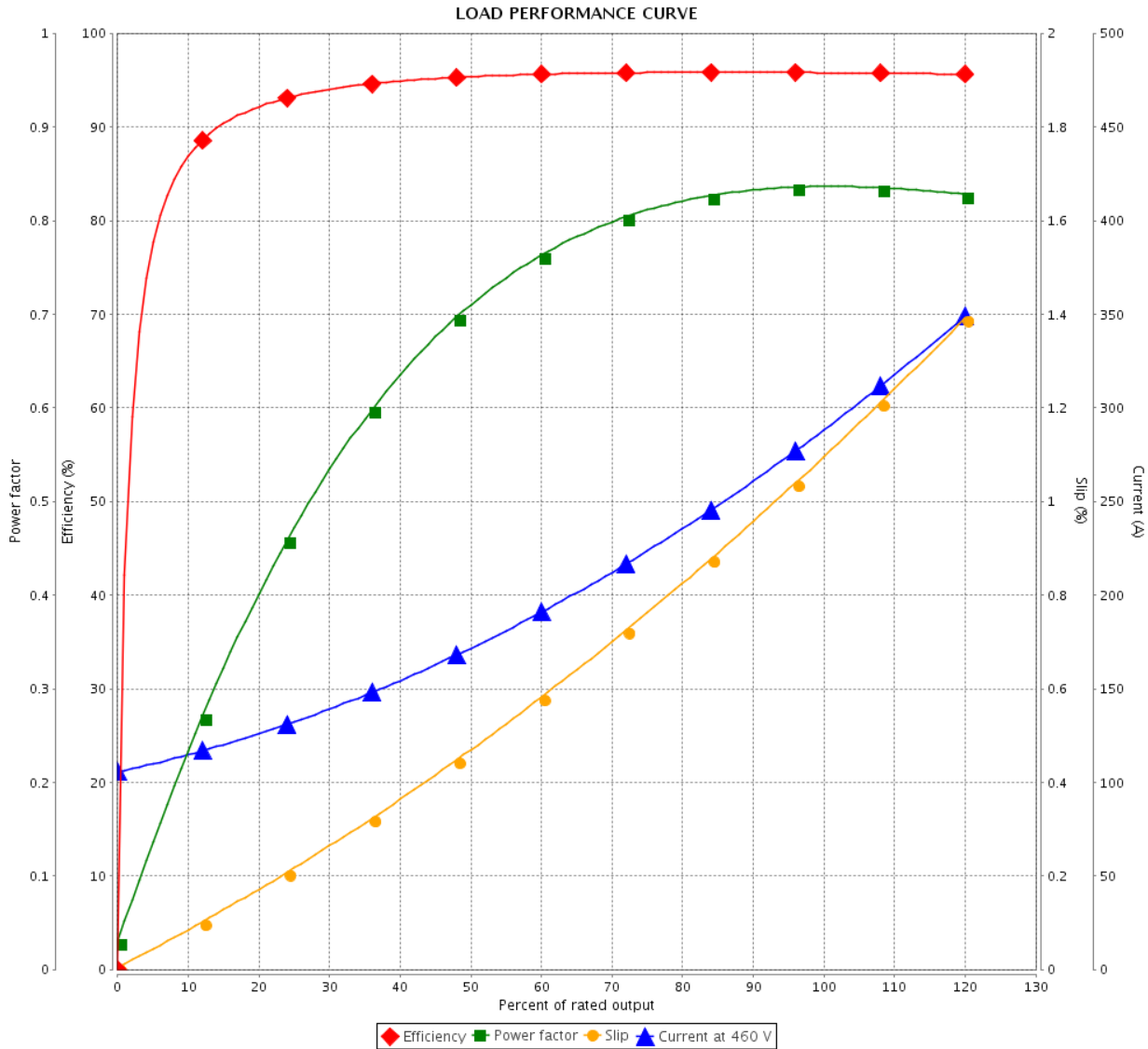
LOAD PERFORMANCE CURVE



Three Phase Induction Motor - Squirrel Cage

Customer : Dealers Industrial Equipment 800-469-3110
 Customer reference : 25018OT3G445T-W40

Product line : W40 NEMA Premium Efficiency Three-Phase Product code : 14272426
 Catalog # : 25018OT3G445T-W40



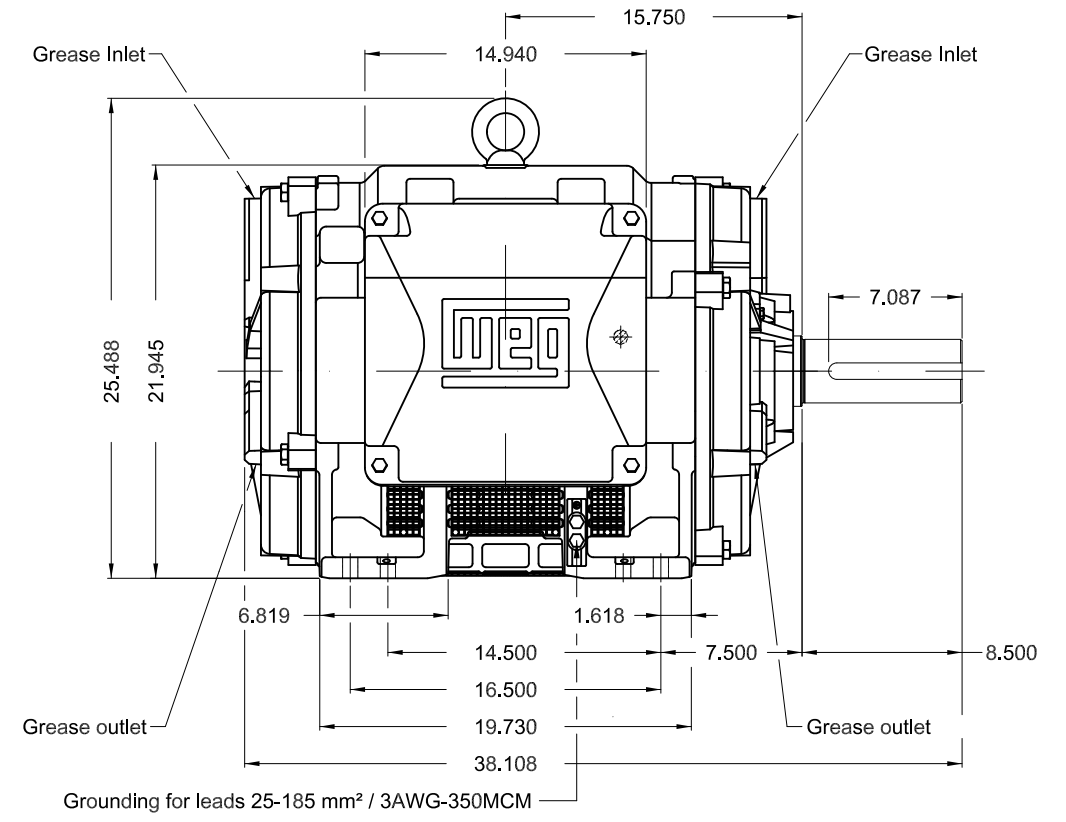
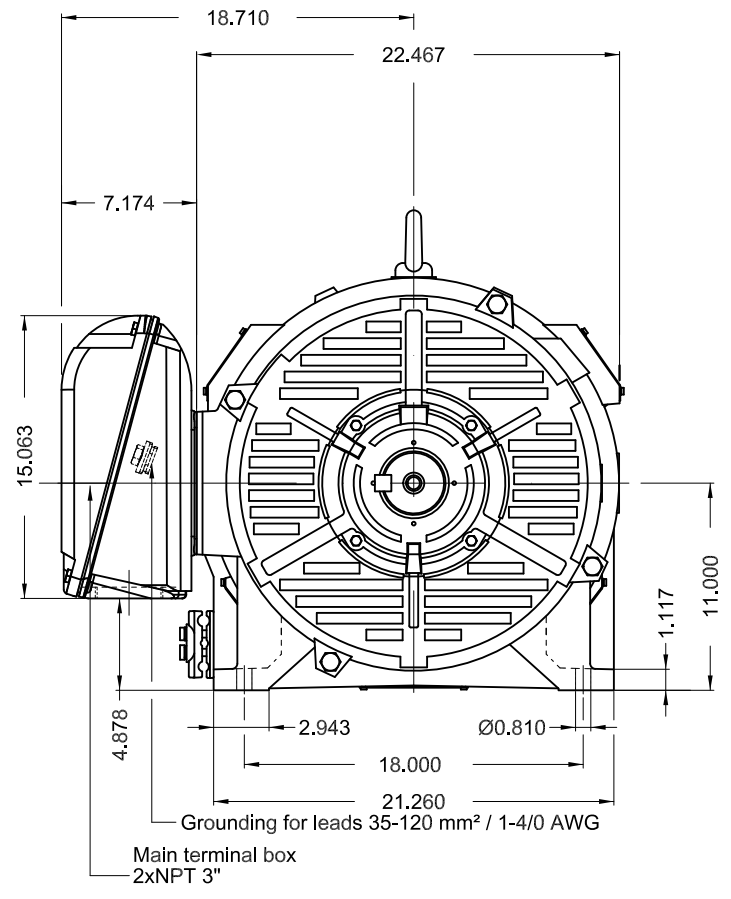
Performance : 460 V 60 Hz 4P

Rated current : 289 A	Moment of inertia (J) : 50.9 sq.ft.lb
LRC : 6.4	Duty cycle : Cont.(S1)
Rated torque : 728 ft.lb	Insulation class : F
Locked rotor torque : 210 %	Service factor : 1.15
Breakdown torque : 240 %	Temperature rise : 80 K
Rated speed : 1780 rpm	Design : B

Rev.	Changes Summary	Performed	Checked	Date
Performed by			Page	Revision
Checked by			2 / 2	
Date	16/04/2019			

Dimensões em polegada
Dimensions in inches

THIS IS AN UPDATED REVISION, THE
PREVIOUS ONE MUST BE DISREGARDED.



C3 NDE bearing						SCALE		1:10		
Color RAL 5009										
Painting plan 203A										
Mounting B3R(D)										
ECM		LOC		SUMMARY OF MODIFICATIONS		EXECUTED	CHECKED	RELEASED	DATE	VER
EXECUTED		USERADMIN		THREE PHASE W40 MOTOR NEMA PREMIUM EFF						
CHECKED				FRAME 444/5T IP23 ODP						
RELEASED				WEG code: 14272426						
REL DT		16.04.2019		WMO Jaragua do Sul		Product Engineering	SHEET	1 / 1		

250 HP 04 Poles 60Hz

A

