

DATA SHEET



Three Phase Induction Motor - Squirrel Cage

Customer : Dealers Industrial Equipment 800-469-3110																			
Customer reference : 20036OT3G444TSC-W40																			
Product line : W40 NEMA Premium Efficiency Three-Phase	Product code : 14272424 Catalog # : 20036OT3G444TSC-W40																		
Frame : 444/5TSC Output : 200 HP (150 kW) Poles : 2 Frequency : 60 Hz Rated voltage : 460 V Rated current : 225 A L. R. Amperes : 1463 A LRC : 6.5x(Code G) No load current : 67.0 A Rated speed : 3570 rpm Slip : 0.83 % Rated torque : 290 ft.lb Locked rotor torque : 140 % Breakdown torque : 229 % Insulation class : F Service factor : 1.15 Moment of inertia (J) : 23.8 sq.ft.lb Design : B	Locked rotor time : 37s (cold) 21s (hot) Temperature rise : 80 K Duty cycle : Cont.(S1) Ambient temperature : -20°C to +40°C Altitude : 1000 m.a.s.l. Protection degree : IP23 Cooling method : IC01 - ODP Mounting : F-1 Rotation ¹ : Both (CW and CCW) Noise level ² : 85.0 dB(A) Starting method : Direct On Line Approx. weight ³ : 1320 lb																		
<table border="1"> <tr> <td>Output</td> <td>25%</td> <td>50%</td> <td>75%</td> <td>100%</td> </tr> <tr> <td>Efficiency (%)</td> <td>92.4</td> <td>93.0</td> <td>94.5</td> <td>95.0</td> </tr> <tr> <td>Power Factor</td> <td>0.54</td> <td>0.79</td> <td>0.86</td> <td>0.88</td> </tr> </table>	Output	25%	50%	75%	100%	Efficiency (%)	92.4	93.0	94.5	95.0	Power Factor	0.54	0.79	0.86	0.88	Foundation loads Max. traction : 1319 lb Max. compression : 2639 lb			
Output	25%	50%	75%	100%															
Efficiency (%)	92.4	93.0	94.5	95.0															
Power Factor	0.54	0.79	0.86	0.88															
<table border="1"> <thead> <tr> <th></th> <th>Drive end</th> <th>Non drive end</th> </tr> </thead> <tbody> <tr> <td>Bearing type</td> <td>6314 C3</td> <td>6212 Z C3</td> </tr> <tr> <td>Sealing</td> <td>Without Bearing Seal</td> <td>Without Bearing Seal</td> </tr> <tr> <td>Lubrication interval</td> <td>14418 h</td> <td>20000 h</td> </tr> <tr> <td>Lubricant amount</td> <td>27 g</td> <td>13 g</td> </tr> <tr> <td>Lubricant type</td> <td colspan="2">Mobil Polyrex EM</td> </tr> </tbody> </table>			Drive end	Non drive end	Bearing type	6314 C3	6212 Z C3	Sealing	Without Bearing Seal	Without Bearing Seal	Lubrication interval	14418 h	20000 h	Lubricant amount	27 g	13 g	Lubricant type	Mobil Polyrex EM	
	Drive end	Non drive end																	
Bearing type	6314 C3	6212 Z C3																	
Sealing	Without Bearing Seal	Without Bearing Seal																	
Lubrication interval	14418 h	20000 h																	
Lubricant amount	27 g	13 g																	
Lubricant type	Mobil Polyrex EM																		
Notes downloaded from http://dealerselectric.com																			
This revision replaces and cancel the previous one, which must be eliminated. (1) Looking the motor from the shaft end. (2) Measured at 1m and with tolerance of +3dB(A). (3) Approximate weight subject to changes after manufacturing process. (4) At 100% of full load.	These are average values based on tests with sinusoidal power supply, subject to the tolerances stipulated in NEMA MG-1.																		
Rev.	Changes Summary	Performed	Checked	Date															
Performed by																			
Checked by			Page	Revision															
Date	16/04/2019		1 / 2																

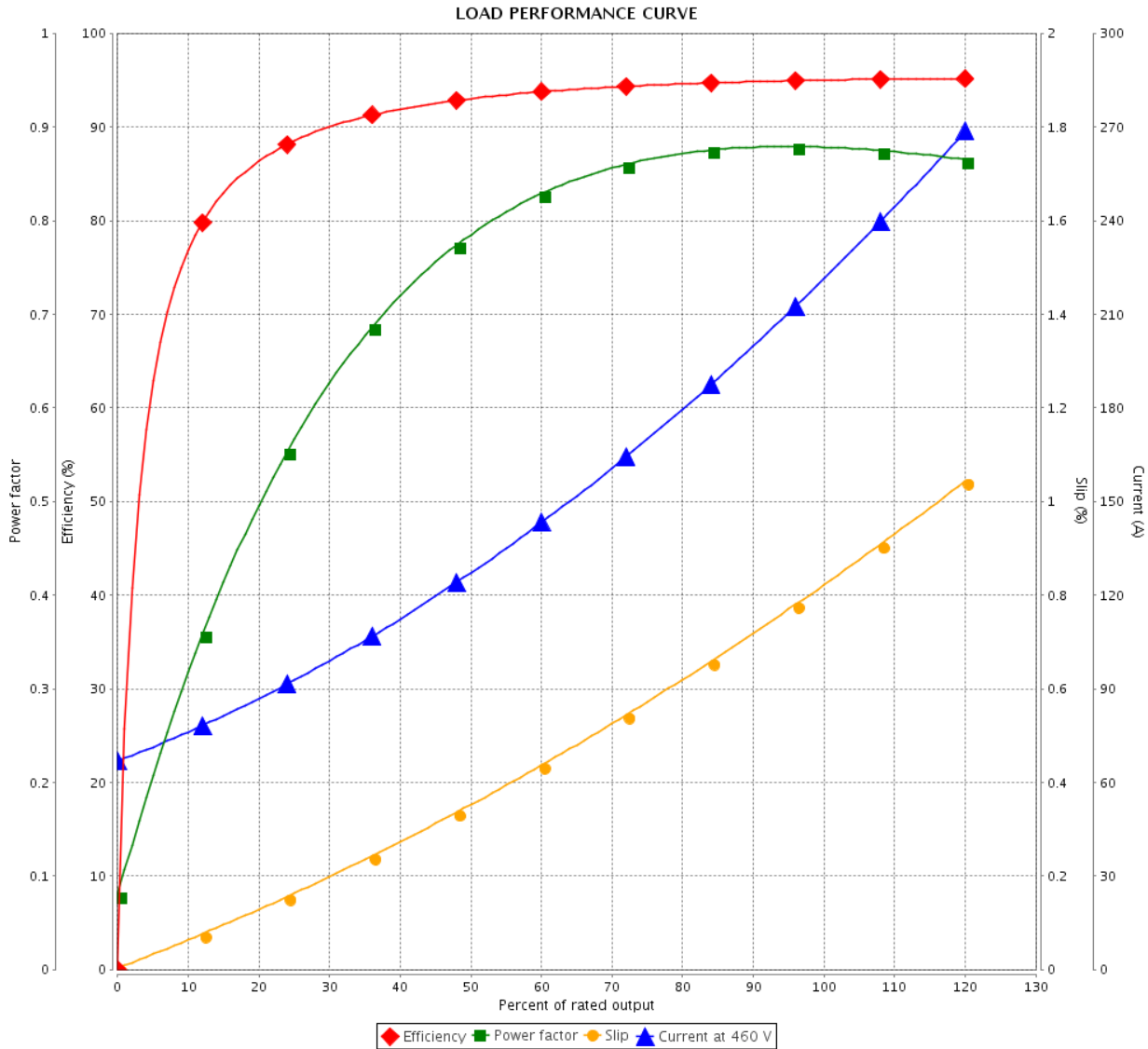
LOAD PERFORMANCE CURVE



Three Phase Induction Motor - Squirrel Cage

Customer : Dealers Industrial Equipment 800-469-3110
 Customer reference : 20036OT3G444TSC-W40

Product line : W40 NEMA Premium Efficiency Three-Phase Product code : 14272424
 Catalog # : 20036OT3G444TSC-W40



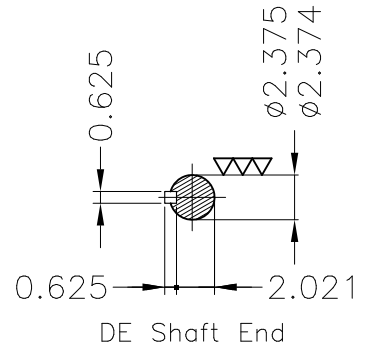
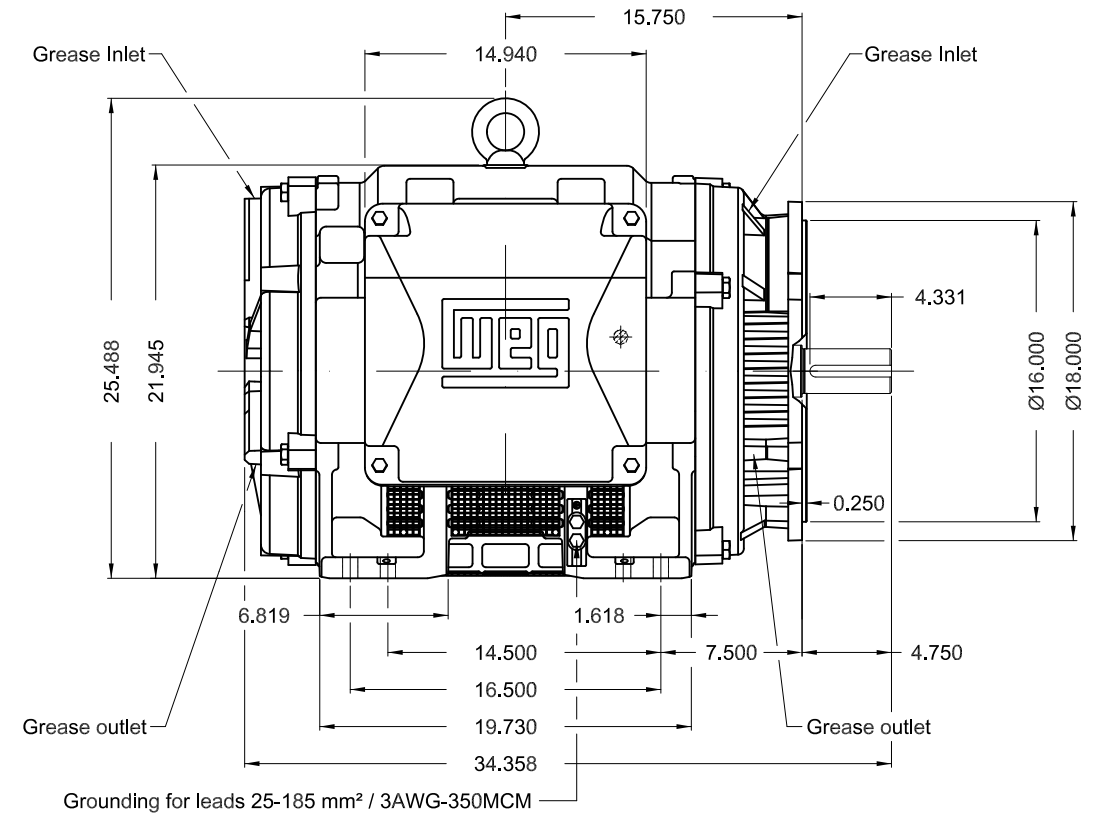
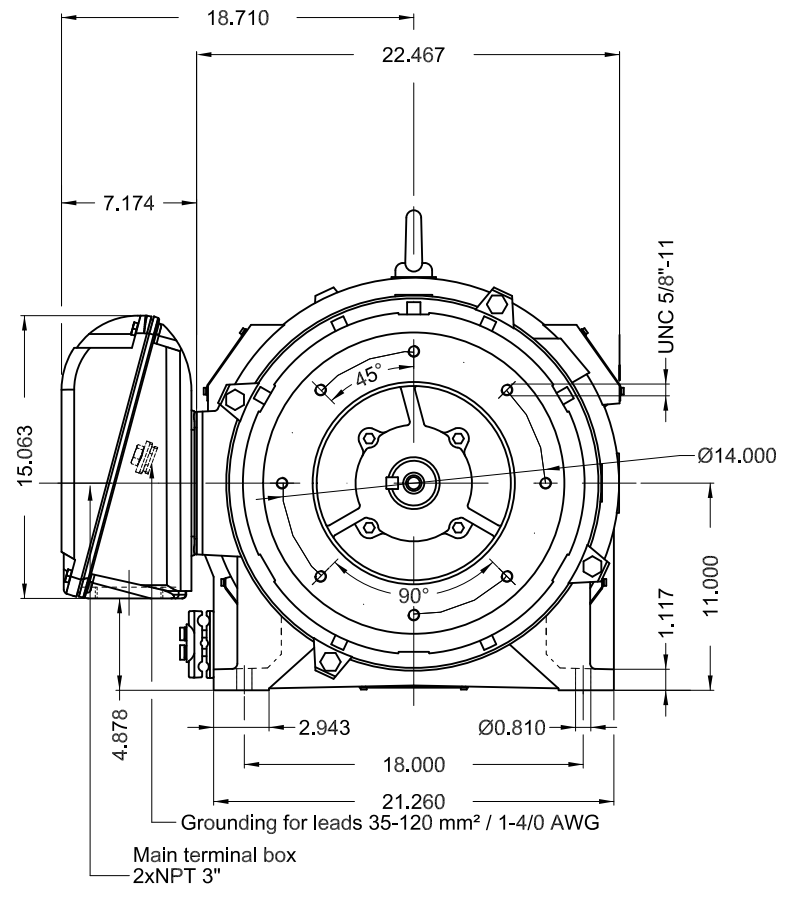
Performance : 460 V 60 Hz 2P

Rated current : 225 A	Moment of inertia (J) : 23.8 sq.ft.lb
LRC : 6.5	Duty cycle : Cont.(S1)
Rated torque : 290 ft.lb	Insulation class : F
Locked rotor torque : 140 %	Service factor : 1.15
Breakdown torque : 229 %	Temperature rise : 80 K
Rated speed : 3570 rpm	Design : B

Rev.	Changes Summary	Performed	Checked	Date
Performed by			Page 2 / 2	Revision
Checked by				
Date	16/04/2019			

Dimensões em polegada
Dimensions in inches

THIS IS AN UPDATED REVISION, THE
PREVIOUS ONE MUST BE DISREGARDED.



Color RAL 5009
Painting plan 203A
Mounting B34R(D)

					SCALE	1:10	
ECM	LOC	SUMMARY OF MODIFICATIONS	EXECUTED	CHECKED	RELEASED	DATE	VER
EXECUTED	USERADMIN	THREE PHASE W40 MOTOR NEMA PREMIUM EFF					
CHECKED		FRAME 444/5TSC IP23 ODP					
RELEASED		WEG code: 14272424					
REL DT	16.04.2019	WMO Jaragua do Sul	Product Engineering	SHEET	1 / 1		

200 HP 02 Poles 60Hz

A

