

DATA SHEET



Three Phase Induction Motor - Squirrel Cage

Customer	: Dealers Industrial Equipment 800-469-3110					
Customer reference	: 10018OT3GRB404T-W40					
Product line	: W40 NEMA Premium Efficiency Three-Phase		Product code :	14272347		
	Catalog # :			10018OT3GRB404T-W40		
Frame	: 404/5T		Locked rotor time	: 21s (cold) 12s (hot)		
Output	: 100 HP (75 kW)		Temperature rise	: 80 K		
Poles	: 4		Duty cycle	: Cont.(S1)		
Frequency	: 60 Hz		Ambient temperature	: -20°C to +40°C		
Rated voltage	: 460 V		Altitude	: 1000 m.a.s.l.		
Rated current	: 115 A		Protection degree	: IP23		
L. R. Amperes	: 782 A		Cooling method	: IC01 - ODP		
LRC	: 6.8x(Code G)		Mounting	: F-1		
No load current	: 39.7 A		Rotation ¹	: Both (CW and CCW)		
Rated speed	: 1780 rpm		Noise level ²	: 69.0 dB(A)		
Slip	: 1.11 %		Starting method	: Direct On Line		
Rated torque	: 291 ft.lb		Approx. weight ³	: 973 lb		
Locked rotor torque	: 200 %					
Breakdown torque	: 250 %					
Insulation class	: F					
Service factor	: 1.25					
Moment of inertia (J)	: 21.9 sq.ft.lb					
Design	: B					
Output	25%	50%	75%	100%	Foundation loads	
Efficiency (%)	94.9	95.0	95.4	95.4	Max. traction : 1900 lb	
Power Factor	0.49	0.75	0.83	0.86	Max. compression : 2872 lb	
Bearing type	:	<u>Drive end</u> NU-316 C3		<u>Non drive end</u> 6314 C3		
Sealing	:	Without Bearing Seal		Without Bearing Seal		
Lubrication interval	:	20000 h		20000 h		
Lubricant amount	:	34 g		27 g		
Lubricant type	:	Mobil Polyrex EM				
Notes downloaded from http://dealerselectric.com						
This revision replaces and cancel the previous one, which must be eliminated. (1) Looking the motor from the shaft end. (2) Measured at 1m and with tolerance of +3dB(A). (3) Approximate weight subject to changes after manufacturing process. (4) At 100% of full load.			These are average values based on tests with sinusoidal power supply, subject to the tolerances stipulated in NEMA MG-1.			
Rev.	Changes Summary			Performed	Checked	Date
Performed by						
Checked by					Page	Revision
Date	15/04/2019				1 / 2	

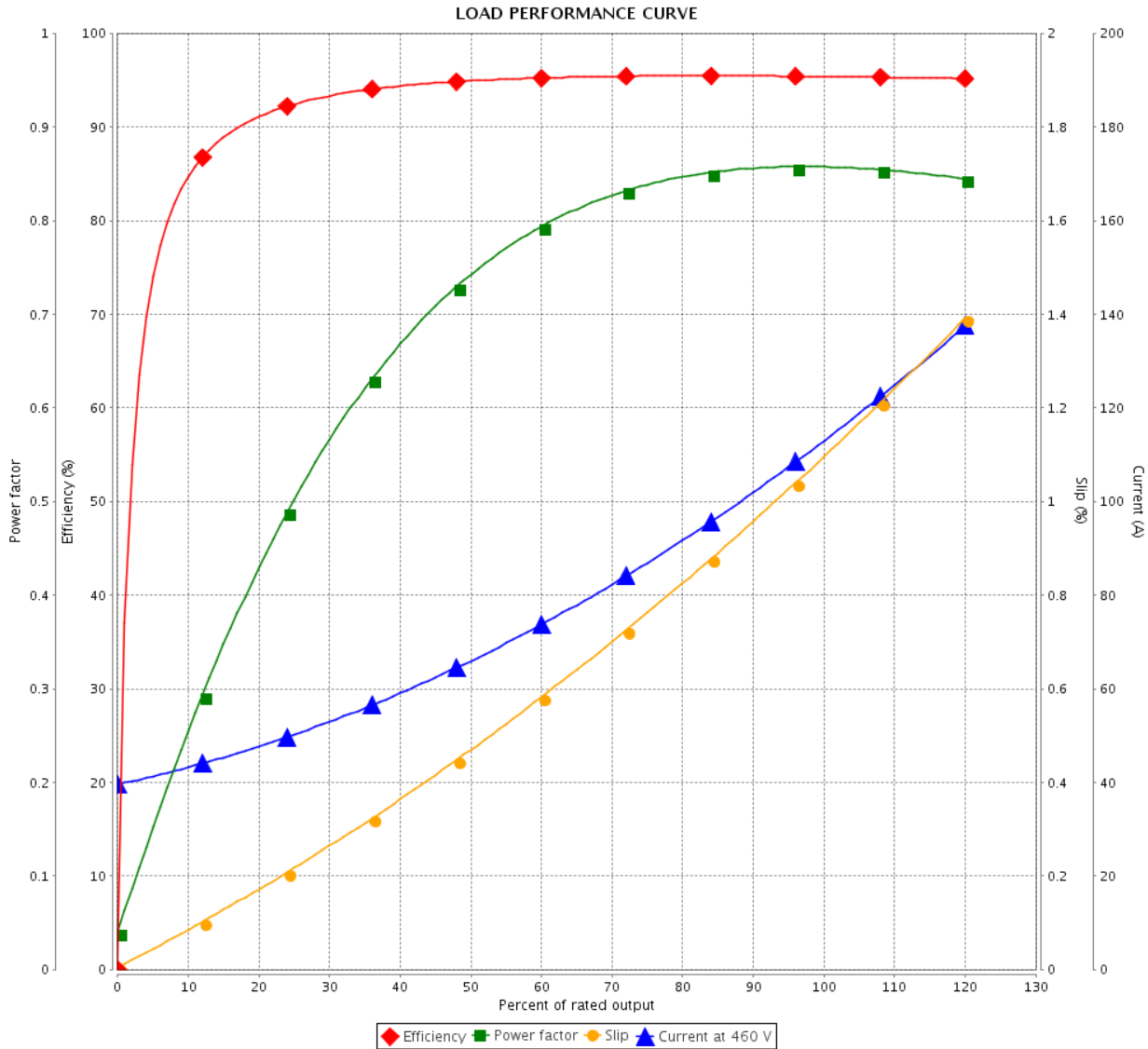
LOAD PERFORMANCE CURVE



Three Phase Induction Motor - Squirrel Cage

Customer : Dealers Industrial Equipment 800-469-3110
 Customer reference : 10018OT3GRB404T-W40

Product line : W40 NEMA Premium Efficiency Three-Phase Product code : 14272347
 Catalog # : 10018OT3GRB404T-W40



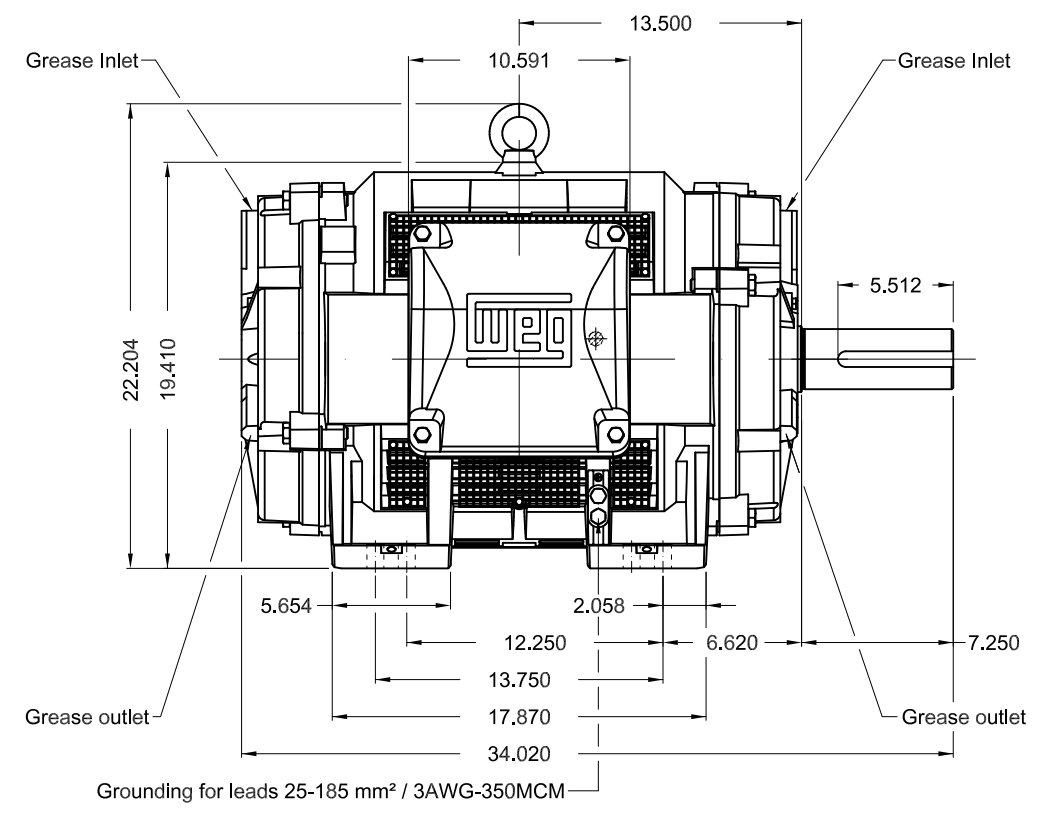
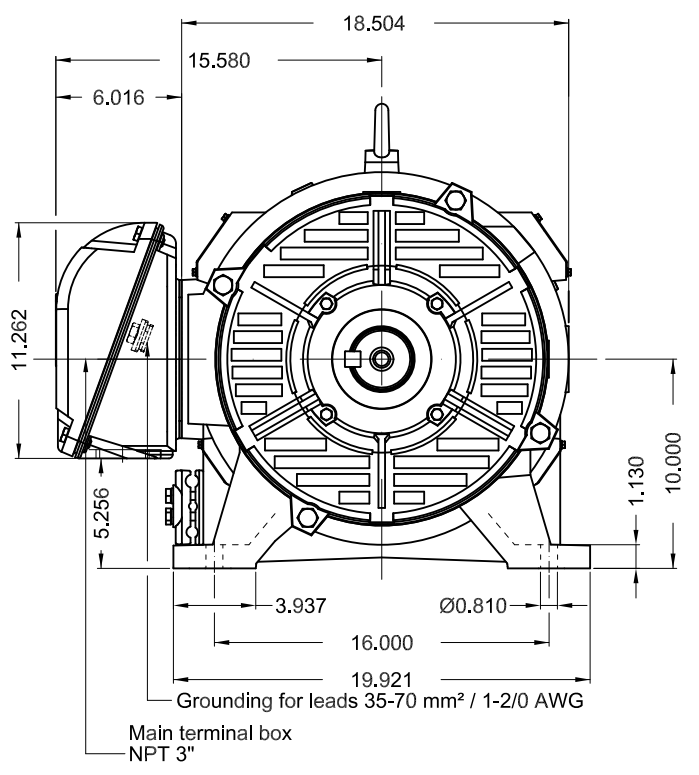
Performance : 460 V 60 Hz 4P

Rated current : 115 A	Moment of inertia (J) : 21.9 sq.ft.lb
LRC : 6.8	Duty cycle : Cont.(S1)
Rated torque : 291 ft.lb	Insulation class : F
Locked rotor torque : 200 %	Service factor : 1.25
Breakdown torque : 250 %	Temperature rise : 80 K
Rated speed : 1780 rpm	Design : B

Rev.	Changes Summary	Performed	Checked	Date
Performed by			Page 2 / 2	Revision
Checked by				
Date	15/04/2019			

Dimensões em polegada
Dimensions in inches

THIS IS AN UPDATED REVISION, THE
PREVIOUS ONE MUST BE DISREGARDED.



Shaft locking device									
C3 NDE bearing									
DE roller bearing									
Color RAL 5009									
Painting plan 203A									
Mounting B3R(D)									
						SCALE	1:9		
ECM	LOC	SUMMARY OF MODIFICATIONS			EXECUTED	CHECKED	RELEASED	DATE	VER
EXECUTED	USERADMIN	THREE PHASE W40 MOTOR NEMA PREMIUM EFF							
CHECKED		FRAME 404/5T IP23 ODP							
RELEASED		WEG code: 14272347							
REL DT	15.04.2019	WMO	Jaragua do Sul	Product Engineering	SHEET	1 / 1			

100 HP 04 Poles 60Hz

A



ZME A3