

DATA SHEET



Three Phase Induction Motor - Squirrel Cage

Customer : Dealers Industrial Equipment 800-469-3110
 Customer reference : 06018OT3G364T-W40

Product line : W40 NEMA Premium Efficiency Three-Phase Product code : 14270886
 Catalog # : 06018OT3G364T-W40

Frame	: 364/5T	Locked rotor time	: 34s (cold) 19s (hot)
Output	: 60 HP (45 kW)	Temperature rise	: 80 K
Poles	: 4	Duty cycle	: Cont.(S1)
Frequency	: 60 Hz	Ambient temperature	: -20°C to +40°C
Rated voltage	: 460 V	Altitude	: 1000 m.a.s.l.
Rated current	: 69.9 A	Protection degree	: IP23
L. R. Amperes	: 454 A	Cooling method	: IC01 - ODP
LRC	: 6.5x(Code G)	Mounting	: F-1
No load current	: 24.7 A	Rotation ¹	: Both (CW and CCW)
Rated speed	: 1780 rpm	Noise level ²	: 69.0 dB(A)
Slip	: 1.11 %	Starting method	: Direct On Line
Rated torque	: 175 ft.lb	Approx. weight ³	: 785 lb
Locked rotor torque	: 200 %		
Breakdown torque	: 240 %		
Insulation class	: F		
Service factor	: 1.25		
Moment of inertia (J)	: 15.6 sq.ft.lb		
Design	: B		

Output	25%	50%	75%	100%	Foundation loads	
Efficiency (%)	94.4	94.5	95.0	95.0	Max. traction	: 1243 lb
Power Factor	0.48	0.73	0.82	0.85	Max. compression	: 2028 lb

	Drive end	Non drive end
Bearing type	: 6314 C3	6212 Z C3
Sealing	: Without Bearing Seal	Without Bearing Seal
Lubrication interval	: 20000 h	20000 h
Lubricant amount	: 27 g	13 g
Lubricant type	: Mobil Polyrex EM	

Notes
 downloaded from <http://dealerselectric.com>

This revision replaces and cancel the previous one, which must be eliminated.
 (1) Looking the motor from the shaft end.
 (2) Measured at 1m and with tolerance of +3dB(A).
 (3) Approximate weight subject to changes after manufacturing process.
 (4) At 100% of full load.

These are average values based on tests with sinusoidal power supply, subject to the tolerances stipulated in NEMA MG-1.

Rev.	Changes Summary	Performed	Checked	Date
Performed by		Page		Revision
Checked by		1 / 2		
Date	14/04/2019			

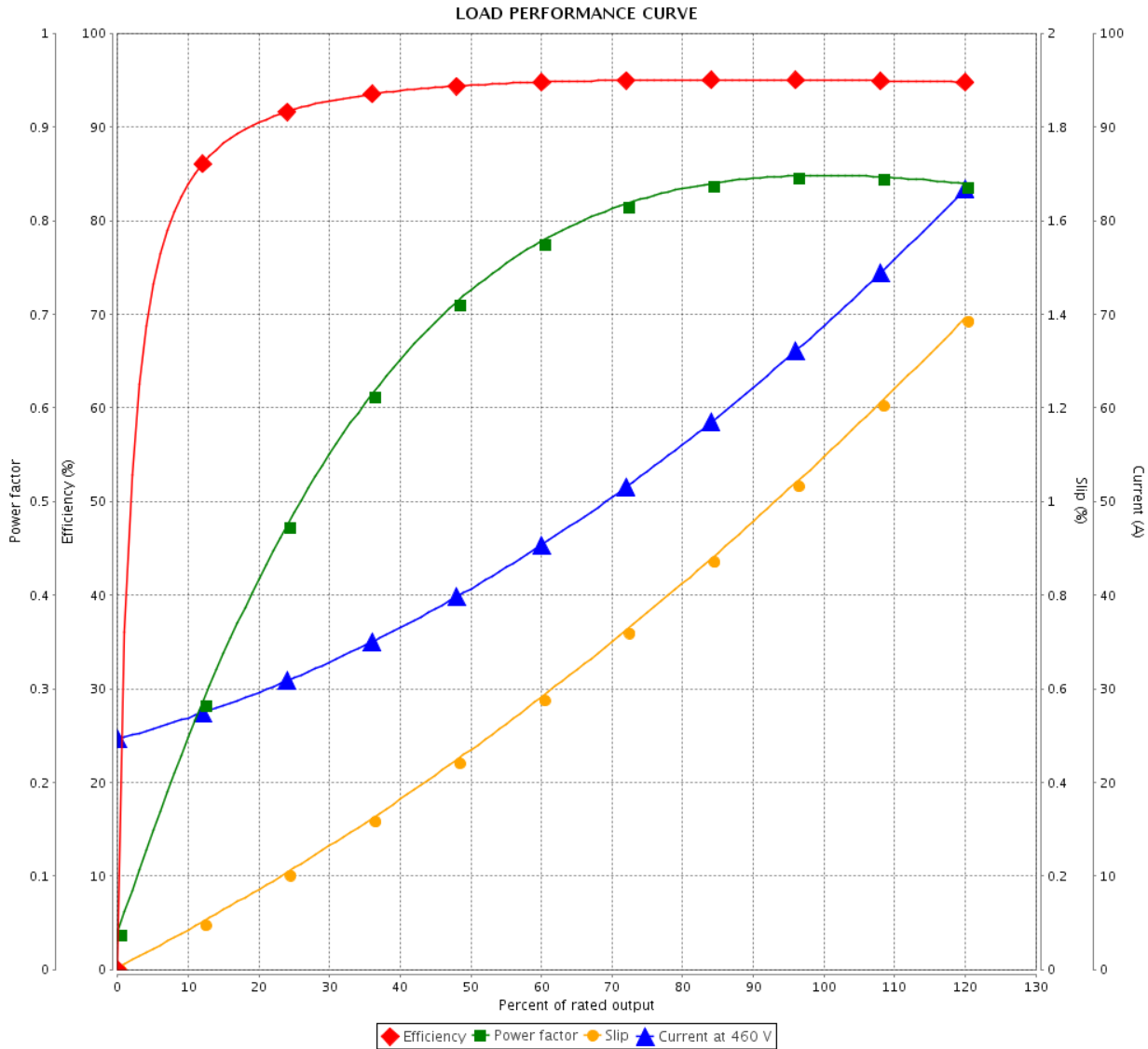
LOAD PERFORMANCE CURVE



Three Phase Induction Motor - Squirrel Cage

Customer : Dealers Industrial Equipment 800-469-3110
 Customer reference : 06018OT3G364T-W40

Product line : W40 NEMA Premium Efficiency Three-Phase Product code : 14270886
 Catalog # : 06018OT3G364T-W40

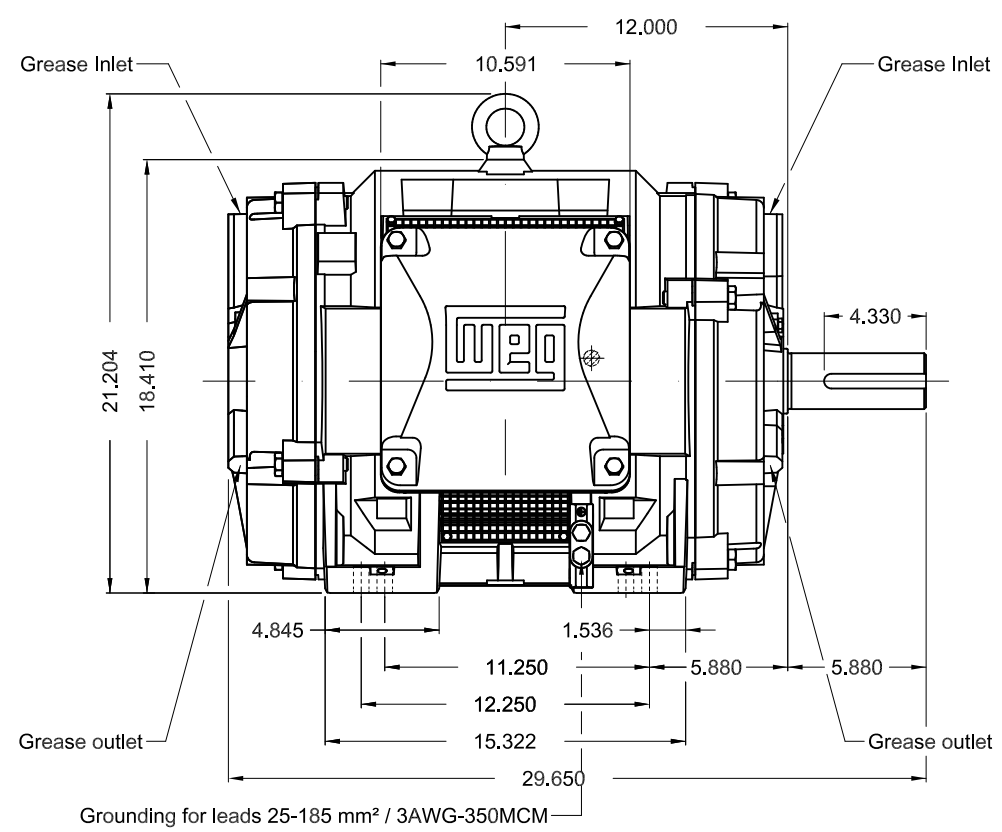
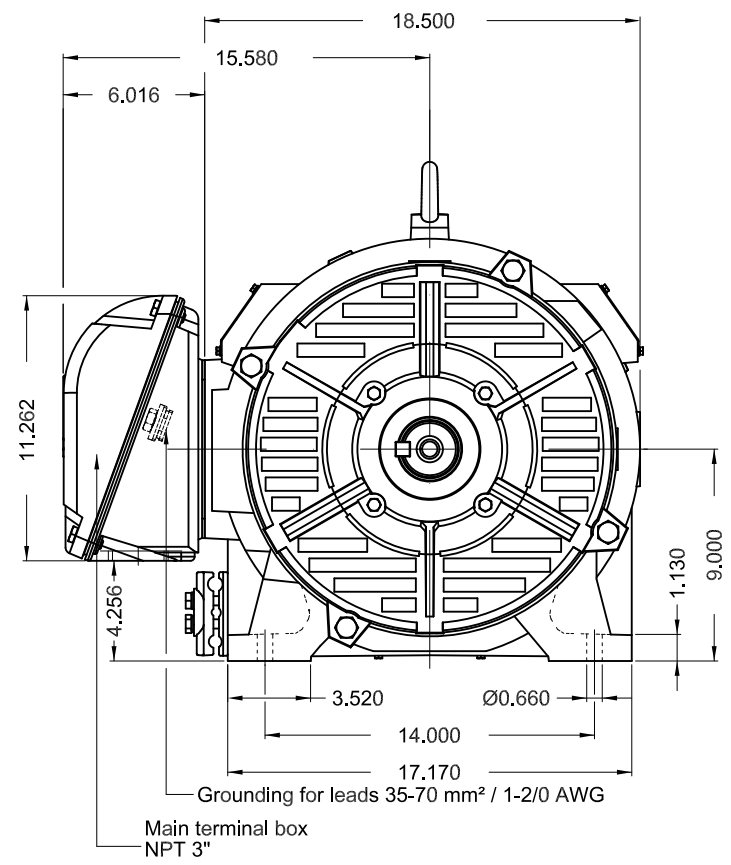


Performance	: 460 V 60 Hz 4P		
Rated current	: 69.9 A	Moment of inertia (J)	: 15.6 sq.ft.lb
LRC	: 6.5	Duty cycle	: Cont.(S1)
Rated torque	: 175 ft.lb	Insulation class	: F
Locked rotor torque	: 200 %	Service factor	: 1.25
Breakdown torque	: 240 %	Temperature rise	: 80 K
Rated speed	: 1780 rpm	Design	: B

Rev.	Changes Summary	Performed	Checked	Date
Performed by			Page	Revision
Checked by			2 / 2	
Date	14/04/2019			

Dimensões em polegada
Dimensions in inches

THIS IS AN UPDATED REVISION, THE
PREVIOUS ONE MUST BE DISREGARDED.



Color RAL 5009									
Painting plan 203A									
Mounting B3R(D)									
				SCALE		1:8			
ECM	LOC	SUMMARY OF MODIFICATIONS			EXECUTED	CHECKED	RELEASED	DATE	VER
EXECUTED	USERADMIN	THREE PHASE W40 MOTOR NEMA PREMIUM EFF							
CHECKED		FRAME 364/5T IP23 ODP							
RELEASED		WEG code: 14270886							
REL DT	14.04.2019	WMO	Jaragua do Sul	Product Engineering	SHEET	1 / 1			

60 HP 04 Poles 60Hz

A

