

DATA SHEET



Three Phase Induction Motor - Squirrel Cage

Customer		: Dealers Industrial Equipment 800-469-3110			
Customer reference		: 06012OT3E404T-W40			
Product line		: W40 NEMA Premium Efficiency Three-Phase		Product code : 14270883	
				Catalog # : 06012OT3E404T-W40	
Frame		: 404/5T		Locked rotor time	
Output		: 60 HP (45 kW)		: 28s (cold) 16s (hot)	
Poles		: 6		Temperature rise	
Frequency		: 60 Hz		: 80 K	
Rated voltage		: 208-230/460 V		Duty cycle	
Rated current		: 155-141/70.3 A		: Cont.(S1)	
L. R. Amperes		: 1042-942/471 A		Ambient temperature	
LRC		: 6.7x(Code G)		: -20°C to +40°C	
No load current		: 43.1-50.0/25.0 A		Altitude	
Rated speed		: 1185 rpm		: 1000 m.a.s.l.	
Slip		: 1.25 %		Protection degree	
Rated torque		: 262 ft.lb		: IP23	
Locked rotor torque		: 240 %		Cooling method	
Breakdown torque		: 250 %		: IC01 - ODP	
Insulation class		: F		Mounting	
Service factor		: 1.25		: F-1	
Moment of inertia (J)		: 29.4 sq.ft.lb		Rotation ¹	
Design		: B		: Both (CW and CCW)	
				Noise level ²	
				: 68.0 dB(A)	
				Starting method	
				: Direct On Line	
				Approx. weight ³	
				: 936 lb	
Output		25%	50%	75%	100%
Efficiency (%)		91.4	91.7	94.5	94.5
Power Factor		0.48	0.73	0.82	0.85
		Foundation loads			
		Max. traction : 2010 lb			
		Max. compression : 2946 lb			
		<u>Drive end</u>		<u>Non drive end</u>	
Bearing type		: 6316 C3		6212 Z C3	
Sealing		: Without Bearing Seal		Without Bearing Seal	
Lubrication interval		: 20000 h		20000 h	
Lubricant amount		: 34 g		13 g	
Lubricant type		: Mobil Polyrex EM			
Notes downloaded from http://dealerselectric.com					
This revision replaces and cancel the previous one, which must be eliminated. (1) Looking the motor from the shaft end. (2) Measured at 1m and with tolerance of +3dB(A). (3) Approximate weight subject to changes after manufacturing process. (4) At 100% of full load.			These are average values based on tests with sinusoidal power supply, subject to the tolerances stipulated in NEMA MG-1.		
Rev.	Changes Summary			Performed	Checked
Performed by					
Checked by				Page	Revision
Date	14/04/2019			1 / 2	

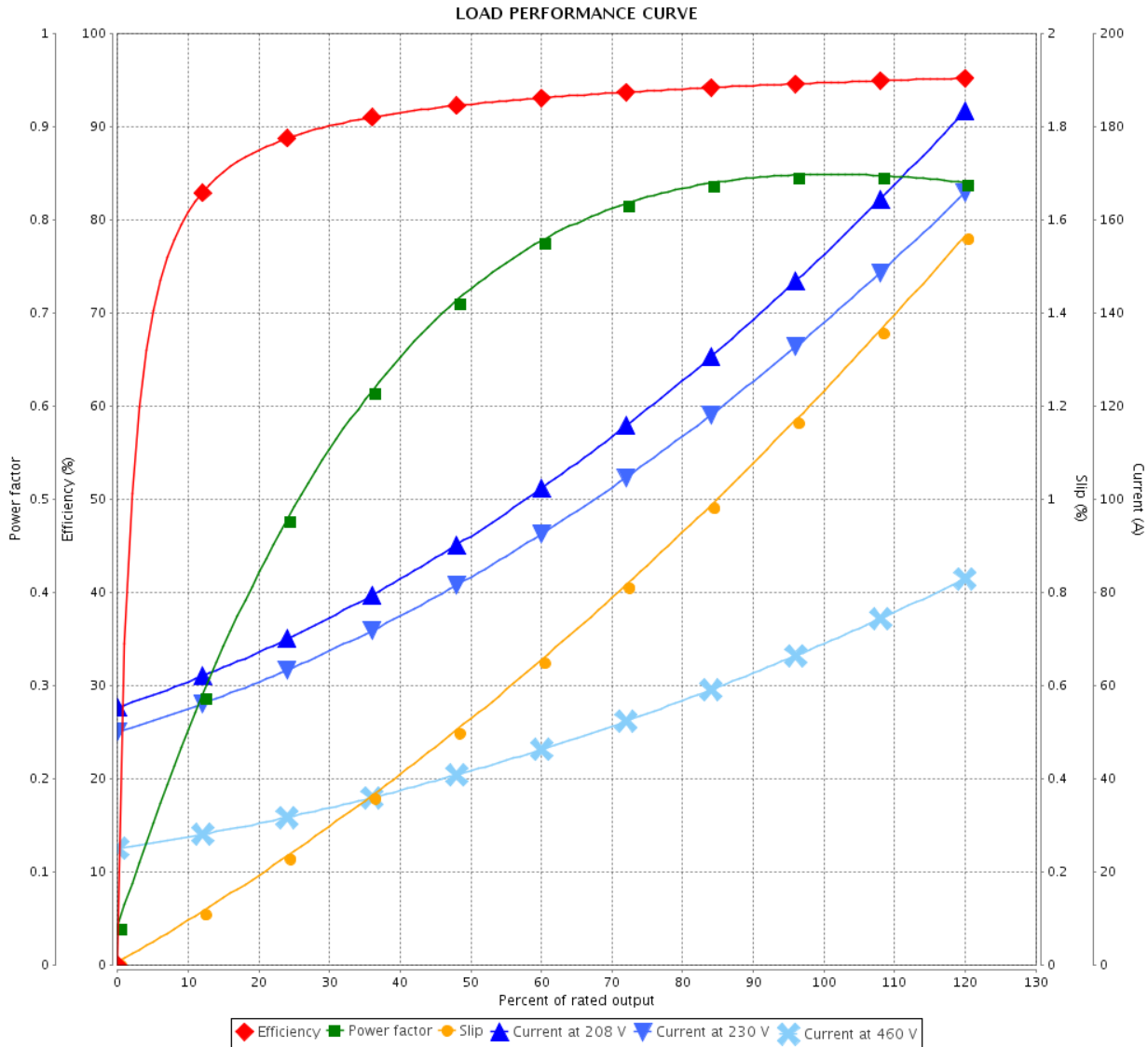
LOAD PERFORMANCE CURVE



Three Phase Induction Motor - Squirrel Cage

Customer : Dealers Industrial Equipment 800-469-3110
 Customer reference : 06012OT3E404T-W40

Product line : W40 NEMA Premium Efficiency Three-Phase Product code : 14270883
 Catalog # : 06012OT3E404T-W40



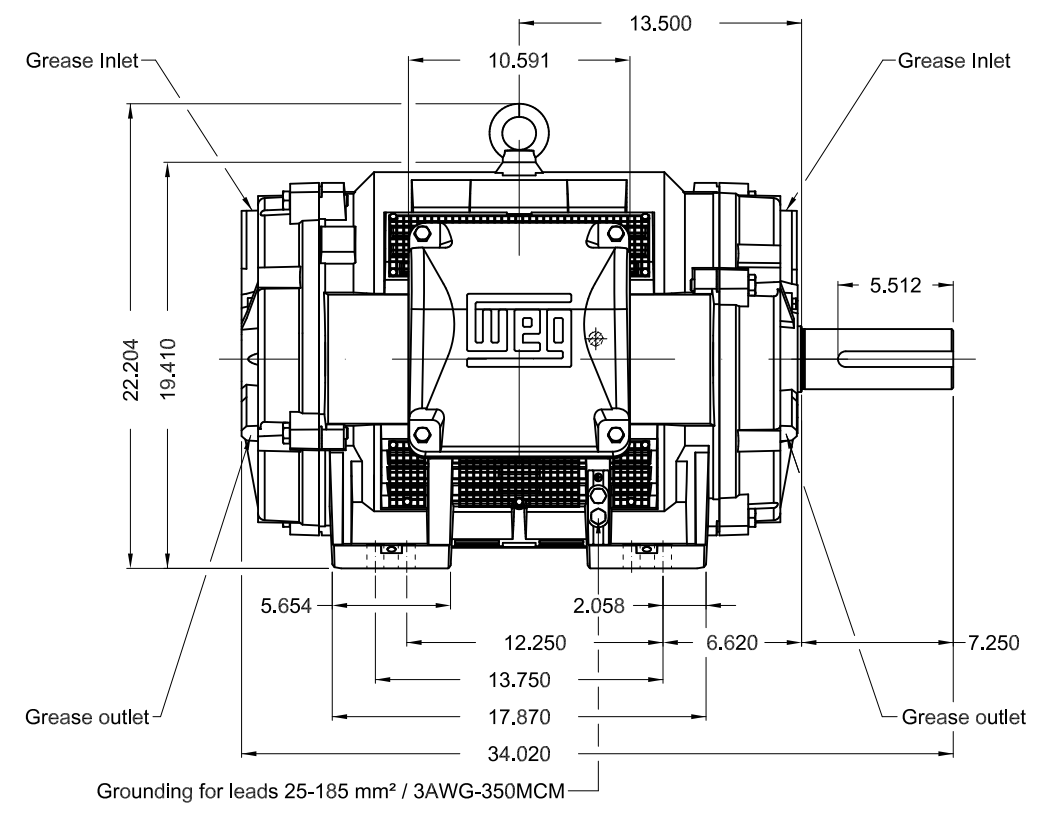
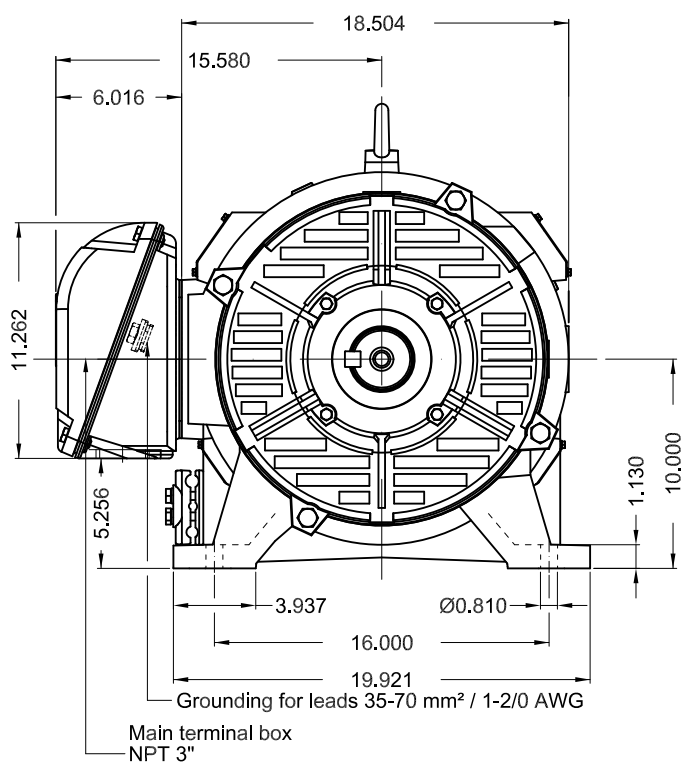
Performance : 208-230/460 V 60 Hz 6P

Rated current : 155-141/70.3 A	Moment of inertia (J) : 29.4 sq.ft.lb
LRC : 6.7	Duty cycle : Cont.(S1)
Rated torque : 262 ft.lb	Insulation class : F
Locked rotor torque : 240 %	Service factor : 1.25
Breakdown torque : 250 %	Temperature rise : 80 K
Rated speed : 1185 rpm	Design : B

Rev.	Changes Summary	Performed	Checked	Date
Performed by			Page 2 / 2	Revision
Checked by				
Date	14/04/2019			

Dimensões em polegada
Dimensions in inches

THIS IS AN UPDATED REVISION, THE
PREVIOUS ONE MUST BE DISREGARDED.



Color RAL 5009						
Painting plan 203A						
Mounting B3R(D)						
					SCALE	1:9
ECM	LOC	SUMMARY OF MODIFICATIONS			EXECUTED	CHECKED
EXECUTED	USERADMIN	THREE PHASE W40 MOTOR NEMA PREMIUM EFF				
CHECKED		FRAME 404/5T IP23 ODP				
RELEASED		WEG code: 14270883				
REL DT	14.04.2019	WMO	Jaragua do Sul	Product Engineering	SHEET	1 / 1

60 HP 06 Poles 60Hz

A

