

DATA SHEET



Three Phase Induction Motor - Squirrel Cage

| | | | | | | |
|--|-----------------|--|--|-------------------------------|---------|----------|
| Customer | | : Dealers Industrial Equipment 800-469-3110 | | | | |
| Customer reference | | : 04012OT3E364T-W40 | | | | |
| Product line | | : W40 NEMA Premium Efficiency Three-Phase | | Product code : 14270659 | | |
| | | | | Catalog # : 04012OT3E364T-W40 | | |
| Frame | | : 364/5T | | Locked rotor time | | |
| Output | | : 40 HP (30 kW) | | : 39s (cold) 22s (hot) | | |
| Poles | | : 6 | | Temperature rise | | |
| Frequency | | : 60 Hz | | : 80 K | | |
| Rated voltage | | : 208-230/460 V | | Duty cycle | | |
| Rated current | | : 104-94.2/47.1 A | | : Cont.(S1) | | |
| L. R. Amperes | | : 667-603/301 A | | Ambient temperature | | |
| LRC | | : 6.4x(Code G) | | : -20°C to +40°C | | |
| No load current | | : 27.2-31.6/15.8 A | | Altitude | | |
| Rated speed | | : 1185 rpm | | : 1000 m.a.s.l. | | |
| Slip | | : 1.25 % | | Protection degree | | |
| Rated torque | | : 175 ft.lb | | : IP23 | | |
| Locked rotor torque | | : 200 % | | Cooling method | | |
| Breakdown torque | | : 229 % | | : IC01 - ODP | | |
| Insulation class | | : F | | Mounting | | |
| Service factor | | : 1.25 | | : F-1 | | |
| Moment of inertia (J) | | : 21.8 sq.ft.lb | | Rotation ¹ | | |
| Design | | : B | | : Both (CW and CCW) | | |
| Output | | 25% | 50% | 75% | 100% | |
| Efficiency (%) | | 93.5 | 93.6 | 94.1 | 94.1 | |
| Power Factor | | 0.49 | 0.74 | 0.82 | 0.85 | |
| | | Foundation loads | | | | |
| | | Max. traction : 1326 lb | | | | |
| | | Max. compression : 2072 lb | | | | |
| | | <u>Drive end</u> | | <u>Non drive end</u> | | |
| Bearing type | | : 6314 C3 | | 6212 Z C3 | | |
| Sealing | | : Without Bearing Seal | | Without Bearing Seal | | |
| Lubrication interval | | : 20000 h | | 20000 h | | |
| Lubricant amount | | : 27 g | | 13 g | | |
| Lubricant type | | : Mobil Polyrex EM | | | | |
| Notes downloaded from http://dealerselectric.com | | | | | | |
| This revision replaces and cancel the previous one, which must be eliminated. (1) Looking the motor from the shaft end. (2) Measured at 1m and with tolerance of +3dB(A). (3) Approximate weight subject to changes after manufacturing process. (4) At 100% of full load. | | | These are average values based on tests with sinusoidal power supply, subject to the tolerances stipulated in NEMA MG-1. | | | |
| Rev. | Changes Summary | | | Performed | Checked | Date |
| Performed by | | | | | | |
| Checked by | | | | | Page | Revision |
| Date | 14/04/2019 | | | | 1 / 2 | |

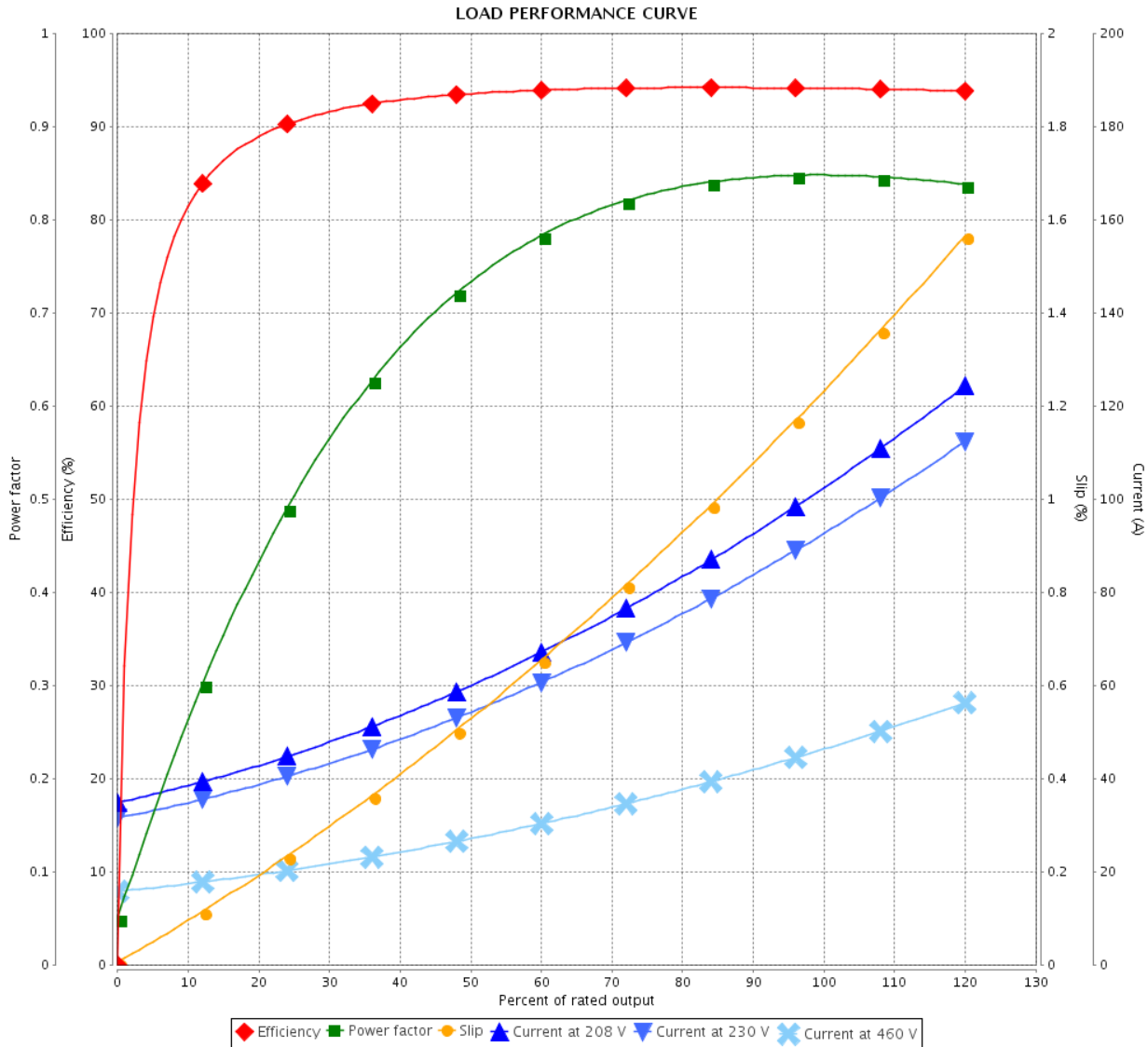
LOAD PERFORMANCE CURVE



Three Phase Induction Motor - Squirrel Cage

Customer : Dealers Industrial Equipment 800-469-3110
 Customer reference : 04012OT3E364T-W40

Product line : W40 NEMA Premium Efficiency Three-Phase Product code : 14270659
 Catalog # : 04012OT3E364T-W40



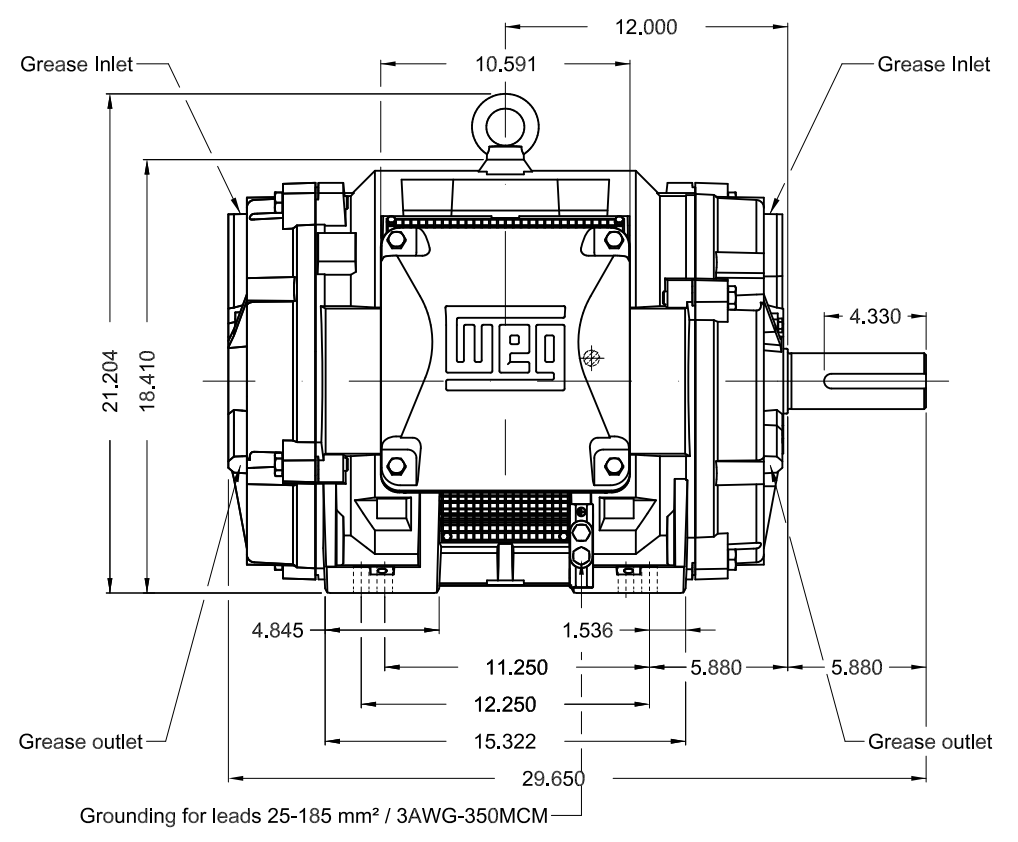
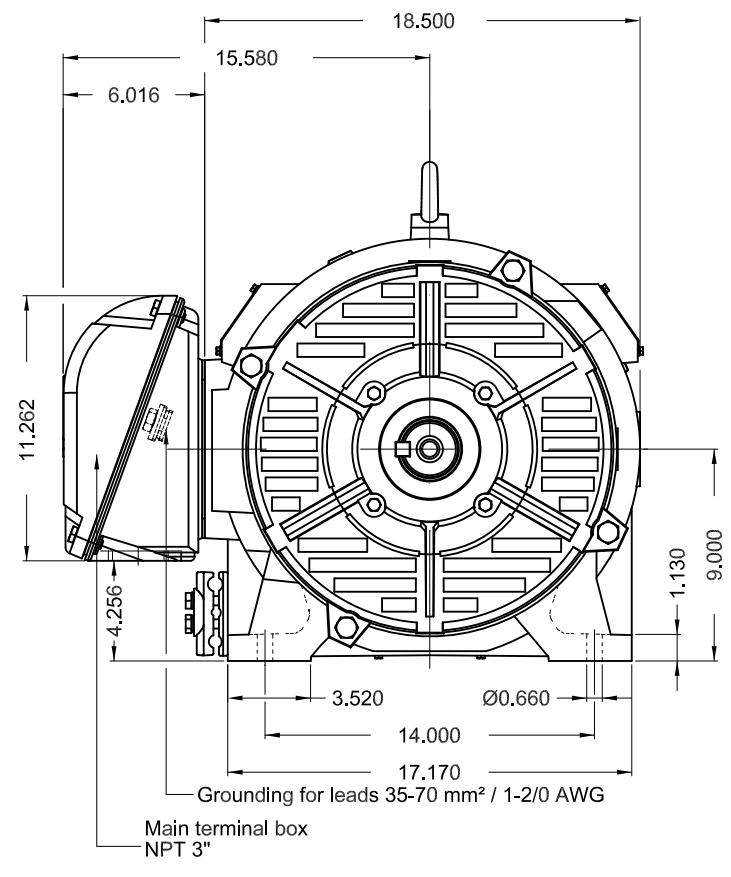
Performance : 208-230/460 V 60 Hz 6P

| | |
|---------------------------------|---------------------------------------|
| Rated current : 104-94.2/47.1 A | Moment of inertia (J) : 21.8 sq.ft.lb |
| LRC : 6.4 | Duty cycle : Cont.(S1) |
| Rated torque : 175 ft.lb | Insulation class : F |
| Locked rotor torque : 200 % | Service factor : 1.25 |
| Breakdown torque : 229 % | Temperature rise : 80 K |
| Rated speed : 1185 rpm | Design : B |

| Rev. | Changes Summary | Performed | Checked | Date |
|--------------|-----------------|-----------|---------|----------|
| | | | | |
| Performed by | | | Page | Revision |
| Checked by | | | | |
| Date | | | | |

Dimensões em polegada
Dimensions in inches

THIS IS AN UPDATED REVISION, THE
PREVIOUS ONE MUST BE DISREGARDED.



| | | | | | | | | | | |
|--------------------|------------|--------------------------|--|---------------------|-------|----------|---------|----------|------|-----|
| Color RAL 5009 | | | | | | | | | | |
| Painting plan 203A | | | | | | | | | | |
| Mounting B3R(D) | | | | | | | | | | |
| | | | | | | | | SCALE | 1:8 | |
| ECM | LOC | SUMMARY OF MODIFICATIONS | | | | EXECUTED | CHECKED | RELEASED | DATE | VER |
| EXECUTED | USERADMIN | | THREE PHASE W40 MOTOR NEMA PREMIUM EFF | | | | | | | |
| CHECKED | | | FRAME 364/5T IP23 ODP | | | | | | | |
| RELEASED | | | WEG code: 14270659 | | | | | | | |
| REL DT | 14.04.2019 | WMO | Jaragua do Sul | Product Engineering | SHEET | 1 / 1 | | | | |

40 HP 06 Poles 60Hz

A



ZME A3