

DATA SHEET



Three Phase Induction Motor - Squirrel Cage

| | | | | | | |
|---|---|---|--------------------------------|--|------------------|-----------|
| Customer : Dealers Industrial Equipment 800-469-3110 | | Customer reference : 12518OT3G405JP-W40 | | | | |
| Product line : W40 JP Pump NEMA Premium Efficiency Three-Phase | | Product code : 14270552 | Catalog # : 12518OT3G405JP-W40 | | | |
| Frame : 404/5JP Output : 125 HP Poles : 4 Frequency : 60 Hz Rated voltage : 460 V Rated current : 138 A L. R. Amperes : 952 A LRC : 6.9x(Code G) No load current : 47.0 A Rated speed : 1780 rpm Slip : 1.11 % Rated torque : 364 ft.lb Locked rotor torque : 270 % Breakdown torque : 260 % Insulation class : F Service factor : 1.25 Moment of inertia (J) : 25.5 sq.ft.lb Design : B | Locked rotor time : 18s (cold) 10s (hot) Temperature rise : 80 K Duty cycle : Cont.(S1) Ambient temperature : -20°C to +40°C Altitude : 1000 m.a.s.l. Protection degree : IP23 Cooling method : IC01 - ODP Mounting : F-1 Rotation ¹ : Both (CW and CCW) Noise level ² : 69.0 dB(A) Starting method : Direct On Line Approx. weight ³ : 1072 lb | | | | | |
| Output | 25% | 50% | 75% | 100% | Foundation loads | |
| Efficiency (%) | 94.9 | 95.0 | 95.4 | 95.4 | Max. traction | : 2869 lb |
| Power Factor | 0.50 | 0.75 | 0.83 | 0.86 | Max. compression | : 3941 lb |
| | | <u>Drive end</u> | | <u>Non drive end</u> | | |
| Bearing type | : | 6314 C3 | | 6212 Z C3 | | |
| Sealing | : | Without Bearing Seal | | Without Bearing Seal | | |
| Lubrication interval | : | 20000 h | | 20000 h | | |
| Lubricant amount | : | 27 g | | 13 g | | |
| Lubricant type | : | Mobil Polyrex EM | | | | |
| Notes downloaded from http://dealerselectric.com | | | | | | |
| This revision replaces and cancel the previous one, which must be eliminated. (1) Looking the motor from the shaft end. (2) Measured at 1m and with tolerance of +3dB(A). (3) Approximate weight subject to changes after manufacturing process. (4) At 100% of full load. | | | | These are average values based on tests with sinusoidal power supply, subject to the tolerances stipulated in NEMA MG-1. | | |
| Rev. | Changes Summary | | | Performed | Checked | Date |
| Performed by | | | | | | |
| Checked by | | | | | Page | Revision |
| Date | 15/04/2019 | | | | 1 / 2 | |

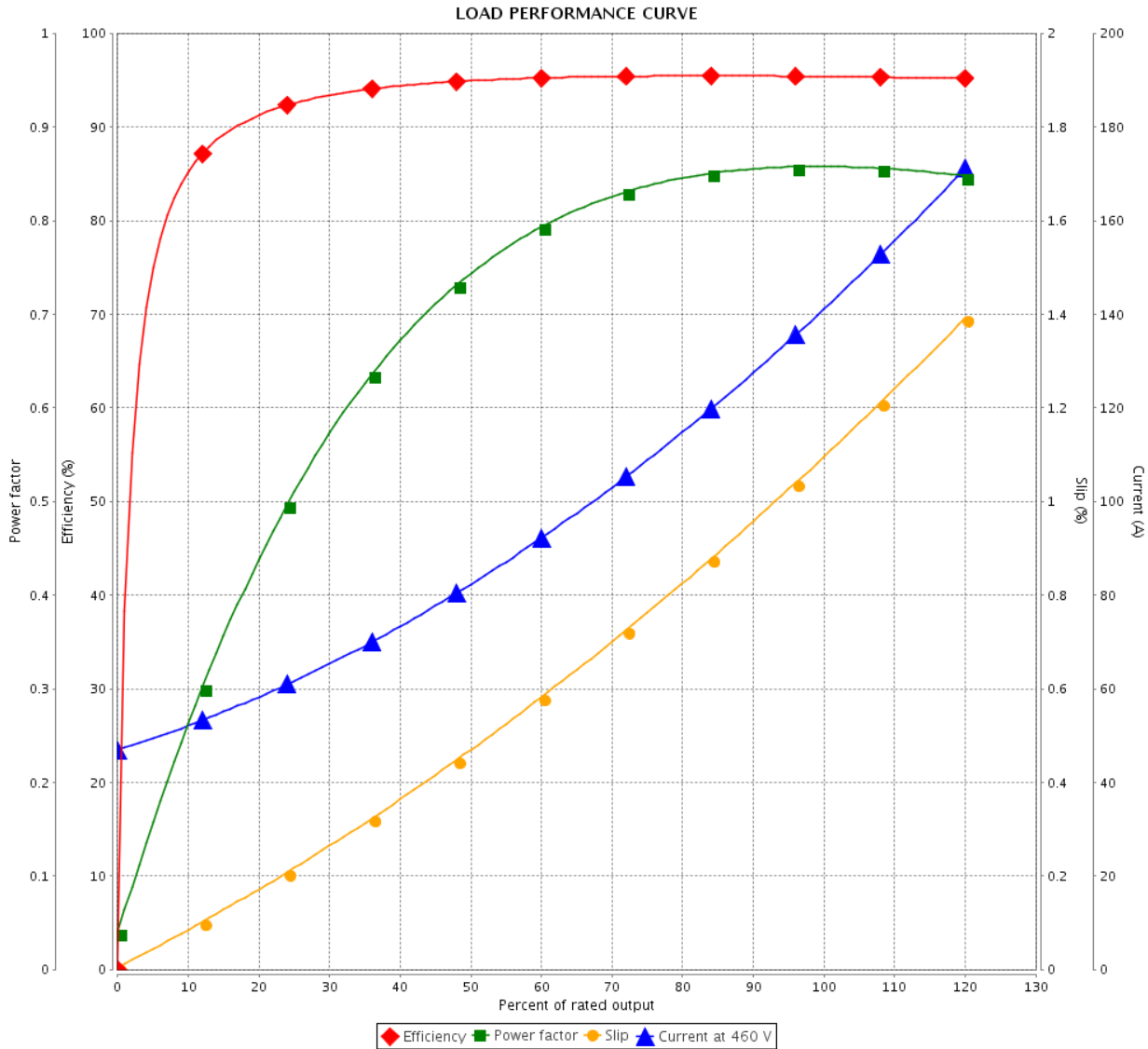
LOAD PERFORMANCE CURVE



Three Phase Induction Motor - Squirrel Cage

Customer : Dealers Industrial Equipment 800-469-3110
 Customer reference : 12518OT3G405JP-W40

Product line : W40 JP Pump NEMA Premium Efficiency Three-Phase Product code : 14270552
 Catalog # : 12518OT3G405JP-W40



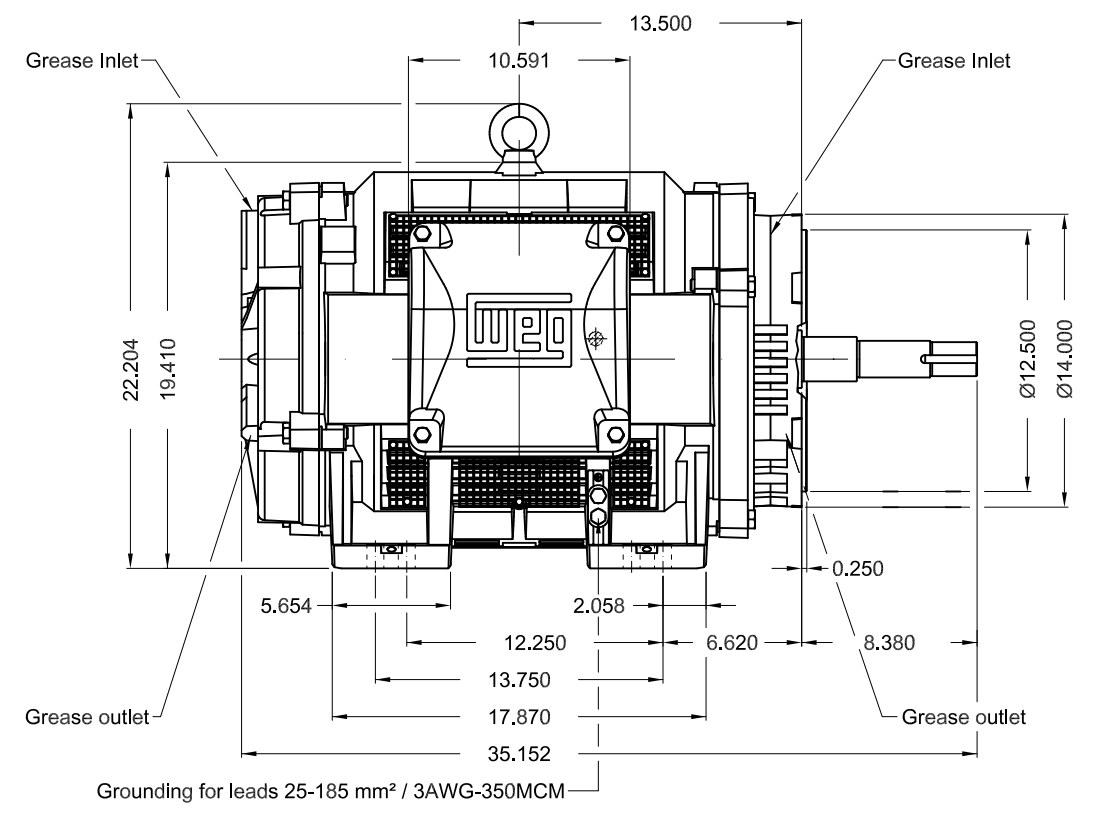
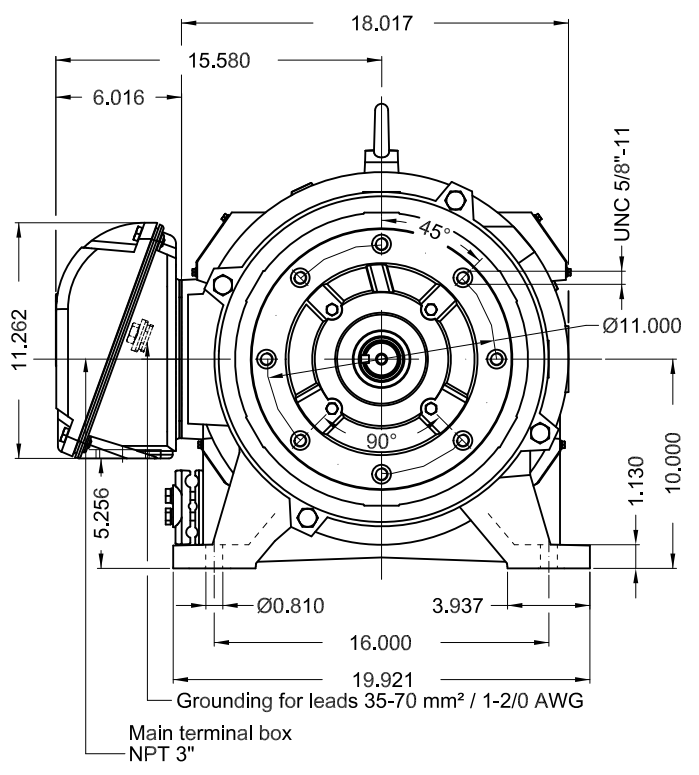
Performance : 460 V 60 Hz 4P

| | |
|-----------------------------|---------------------------------------|
| Rated current : 138 A | Moment of inertia (J) : 25.5 sq.ft.lb |
| LRC : 6.9 | Duty cycle : Cont.(S1) |
| Rated torque : 364 ft.lb | Insulation class : F |
| Locked rotor torque : 270 % | Service factor : 1.25 |
| Breakdown torque : 260 % | Temperature rise : 80 K |
| Rated speed : 1780 rpm | Design : B |

| Rev. | Changes Summary | Performed | Checked | Date |
|--------------|-----------------|-----------|---------------|----------|
| | | | | |
| Performed by | | | Page 2 / 2 | Revision |
| Checked by | | | | |
| Date | 15/04/2019 | | | |

Dimensões em polegada
Dimensions in inches

THIS IS AN UPDATED REVISION, THE
PREVIOUS ONE MUST BE DISREGARDED.



| | | | | | | | | | | |
|--------------------|------------|--|----------------|---------------------|-------|----------|---------|----------|------|-----|
| Color RAL 5009 | | | | | | | | | | |
| Painting plan 203A | | | | | | | | | | |
| Mounting B34R(D) | | | | | | | | | | |
| | | | | | | | | SCALE | 1:9 | |
| ECM | LOC | SUMMARY OF MODIFICATIONS | | | | EXECUTED | CHECKED | RELEASED | DATE | VER |
| EXECUTED | USERADMIN | THREE PHASE W40 MOTOR NEMA PREMIUM EFF | | | | | | | | |
| CHECKED | | FRAME 404/5JP IP23 ODP | | | | | | | | |
| RELEASED | | CLOSE COUPLED PUMP JP TYPE W | | | | | | | | |
| REL DT | 15.04.2019 | WMO | Jaragua do Sul | Product Engineering | SHEET | 1 / 1 | | | | |

125 HP 04 Poles 60Hz

A

