



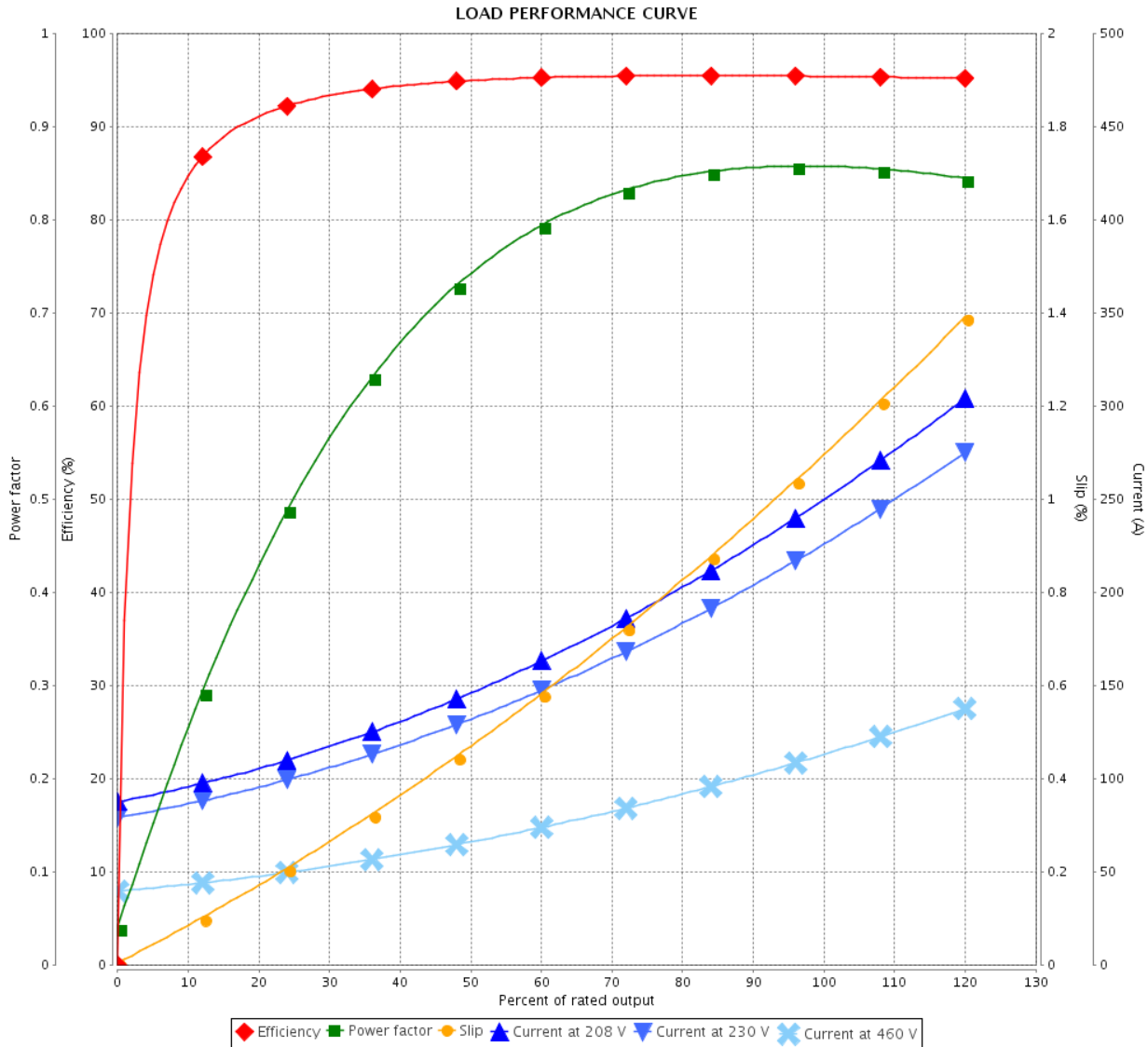
# LOAD PERFORMANCE CURVE

## Three Phase Induction Motor - Squirrel Cage



Customer : Dealers Industrial Equipment 800-469-3110  
 Customer reference : 10018OT3E404JP-W40

Product line : W40 JP Pump NEMA Premium Efficiency Three-Phase      Product code : 14270481  
 Catalog # : 10018OT3E404JP-W40



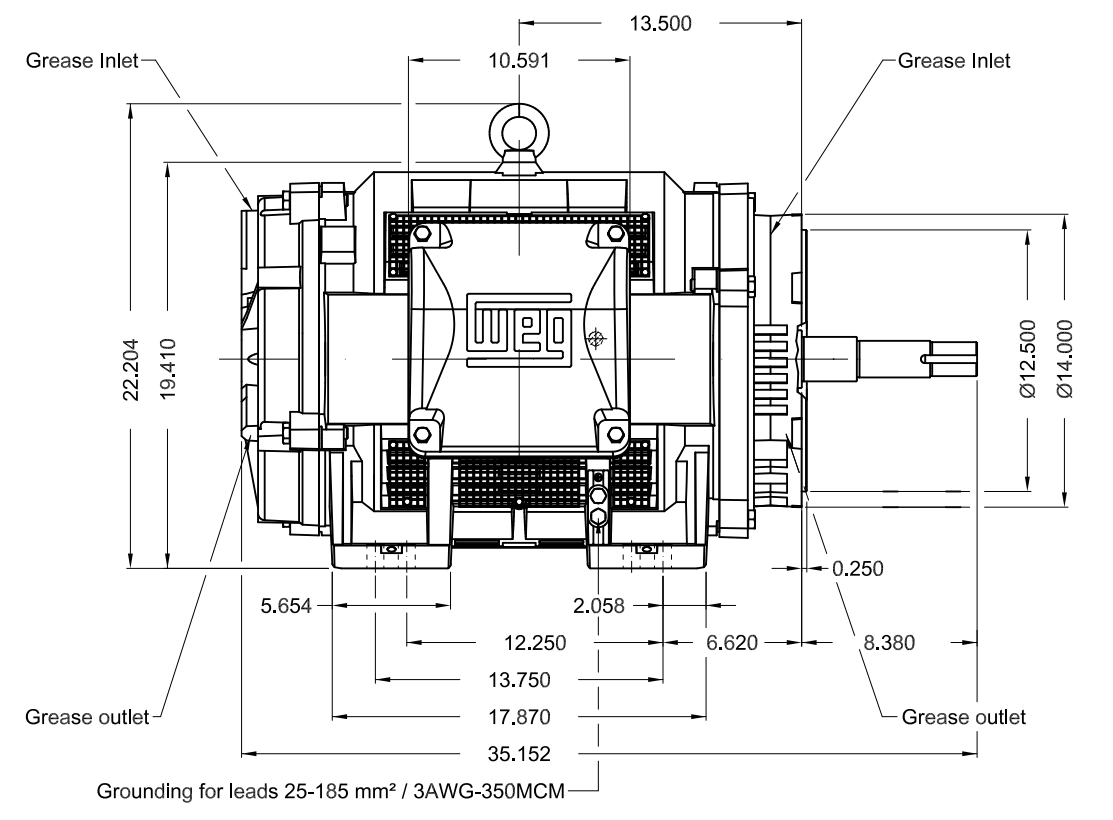
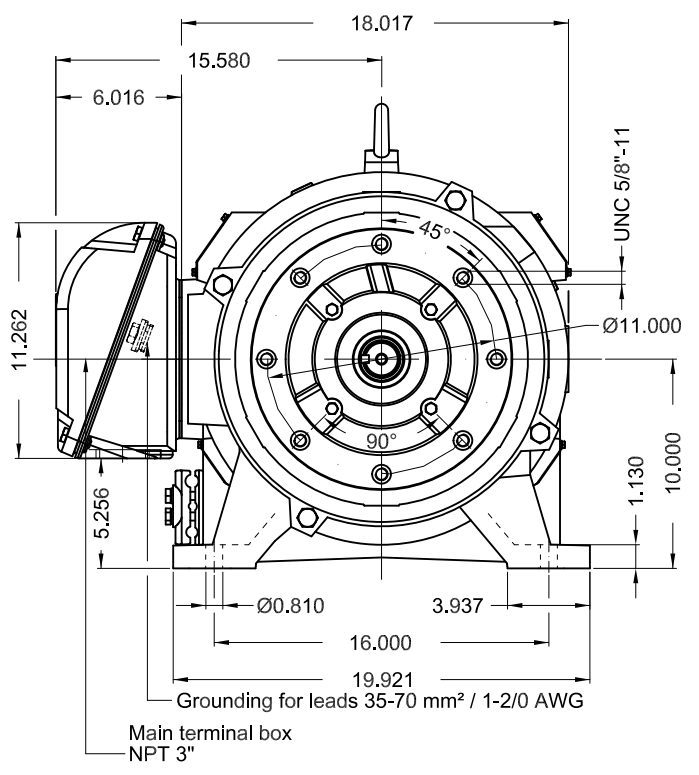
Performance : 208-230/460 V 60 Hz 4P

Rated current : 254-230/115 A	Moment of inertia (J) : 21.9 sq.ft.lb
LRC : 6.8	Duty cycle : Cont.(S1)
Rated torque : 291 ft.lb	Insulation class : F
Locked rotor torque : 200 %	Service factor : 1.25
Breakdown torque : 250 %	Temperature rise : 80 K
Rated speed : 1780 rpm	Design : B

Rev.	Changes Summary	Performed	Checked	Date
Performed by			Page	Revision
Checked by				
Date				

Dimensões em polegada  
Dimensions in inches

THIS IS AN UPDATED REVISION, THE  
PREVIOUS ONE MUST BE DISREGARDED.



Color RAL 5009		Painting plan 203A		Mounting B34R(D)		SCALE		1:9	
ECM	LOC	SUMMARY OF MODIFICATIONS			EXECUTED	CHECKED	RELEASED	DATE	VER
EXECUTED	USERADMIN	THREE PHASE W40 MOTOR NEMA PREMIUM EFF							
CHECKED		FRAME 404/5JP IP23 ODP							
RELEASED		CLOSE COUPLED PUMP JP TYPE   W							
REL DT	14.04.2019	WMO	Jaragua do Sul	Product Engineering	SHEET	1 / 1			

100 HP 04 Poles 60Hz

A

