

DATA SHEET



Three Phase Induction Motor - Squirrel Cage

Customer : Dealers Industrial Equipment 800-469-3110
 Customer reference : 07536OT3H364JP-W40

Product line : W40 JP Pump NEMA Premium Efficiency Three-Phase Product code : 14270479
 Catalog # : 07536OT3H364JP-W40

Frame : 364/5JP	Locked rotor time : 34s (cold) 19s (hot)
Output : 75 HP (55 kW)	Temperature rise : 80 K
Poles : 2	Duty cycle : Cont.(S1)
Frequency : 60 Hz	Ambient temperature : -20°C to +40°C
Rated voltage : 575 V	Altitude : 1000 m.a.s.l.
Rated current : 67.8 A	Protection degree : IP23
L. R. Amperes : 448 A	Cooling method : IC01 - ODP
LRC : 6.6x(Code G)	Mounting : F-1
No load current : 17.2 A	Rotation ¹ : Both (CW and CCW)
Rated speed : 3560 rpm	Noise level ² : 84.0 dB(A)
Slip : 1.11 %	Starting method : Direct On Line
Rated torque : 109 ft.lb	Approx. weight ³ : 736 lb
Locked rotor torque : 200 %	
Breakdown torque : 250 %	
Insulation class : F	
Service factor : 1.25	
Moment of inertia (J) : 6.40 sq.ft.lb	
Design : B	

Output	25%	50%	75%	100%	Foundation loads
Efficiency (%)	91.0	91.7	93.0	93.6	Max. traction : 579 lb
Power Factor	0.56	0.77	0.84	0.87	Max. compression : 1316 lb

		<u>Drive end</u>	<u>Non drive end</u>
Bearing type :		6314 C3	6212 Z C3
Sealing :		Without Bearing Seal	Without Bearing Seal
Lubrication interval :		14418 h	20000 h
Lubricant amount :		27 g	13 g
Lubricant type :		Mobil Polyrex EM	

Notes
 downloaded from <http://dealerselectric.com>

This revision replaces and cancel the previous one, which must be eliminated.
 (1) Looking the motor from the shaft end.
 (2) Measured at 1m and with tolerance of +3dB(A).
 (3) Approximate weight subject to changes after manufacturing process.
 (4) At 100% of full load.

These are average values based on tests with sinusoidal power supply, subject to the tolerances stipulated in NEMA MG-1.

Rev.	Changes Summary	Performed	Checked	Date
Performed by				
Checked by			Page	Revision
Date	14/04/2019		1 / 2	

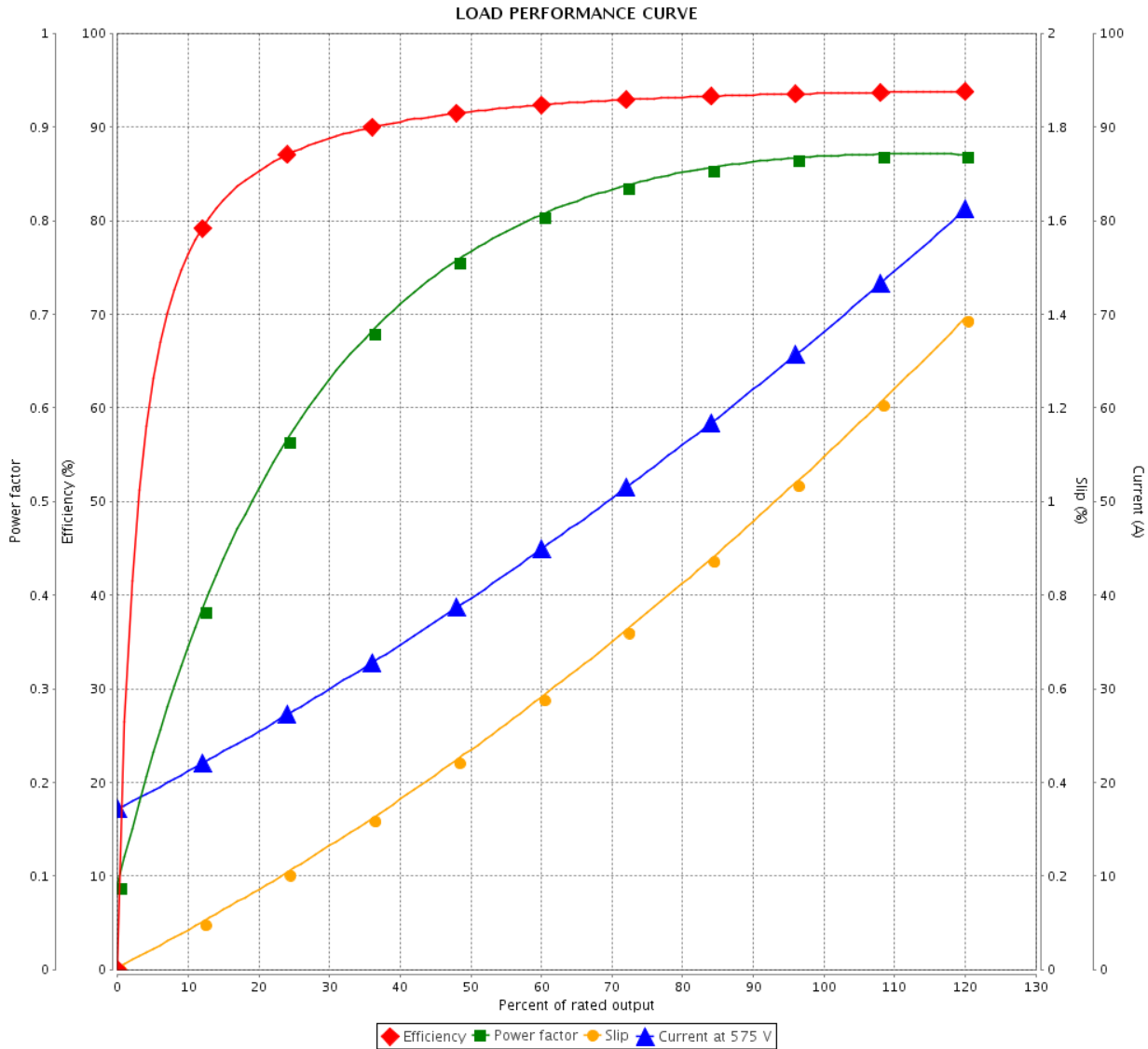
LOAD PERFORMANCE CURVE



Three Phase Induction Motor - Squirrel Cage

Customer : Dealers Industrial Equipment 800-469-3110
 Customer reference : 07536OT3H364JP-W40

Product line : W40 JP Pump NEMA Premium Efficiency Three-Phase Product code : 14270479
 Catalog # : 07536OT3H364JP-W40



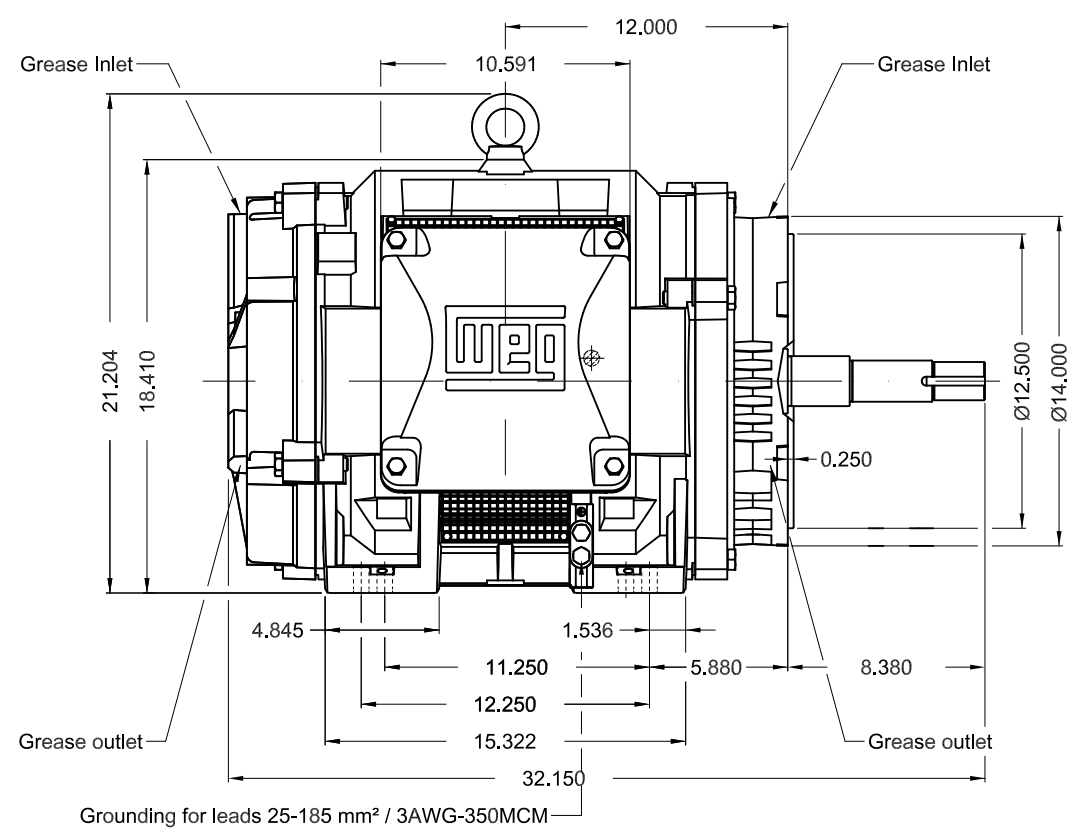
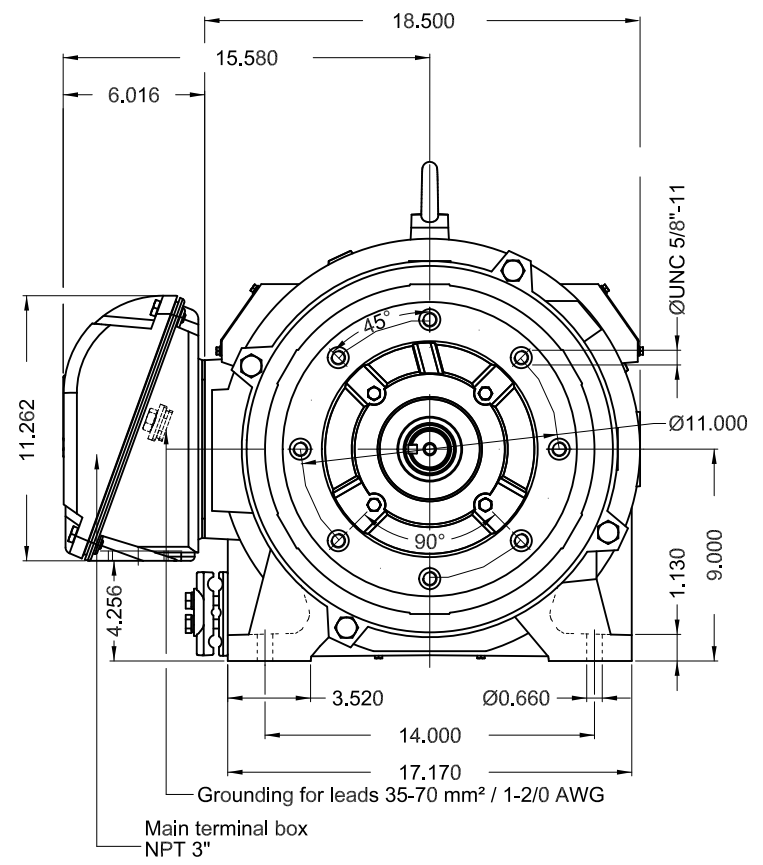
Performance : 575 V 60 Hz 2P

Rated current	: 67.8 A	Moment of inertia (J)	: 6.40 sq.ft.lb
LRC	: 6.6	Duty cycle	: Cont.(S1)
Rated torque	: 109 ft.lb	Insulation class	: F
Locked rotor torque	: 200 %	Service factor	: 1.25
Breakdown torque	: 250 %	Temperature rise	: 80 K
Rated speed	: 3560 rpm	Design	: B

Rev.	Changes Summary	Performed	Checked	Date
Performed by			Page	Revision
Checked by			2 / 2	
Date	14/04/2019			

Dimensões em polegada
Dimensions in inches

THIS IS AN UPDATED REVISION, THE
PREVIOUS ONE MUST BE DISREGARDED.



Color RAL 5009						
Painting plan 203A						
Mounting B34R(D)						
					SCALE	1:8
ECM	LOC	SUMMARY OF MODIFICATIONS			EXECUTED	CHECKED
EXECUTED	USERADMIN	THREE PHASE W40 MOTOR NEMA PREMIUM EFF				
CHECKED		FRAME 364/5JP IP23 ODP				
RELEASED		CLOSE COUPLED PUMP JP TYPE W				
REL DT	14.04.2019	WMO	Jaragua do Sul	Product Engineering	SHEET	1 / 1

75 HP 02 Poles 60Hz

A

