

# DATA SHEET



## Three Phase Induction Motor - Squirrel Cage

Customer : Dealers Industrial Equipment 800-469-3110  
 Customer reference : 06018OT3E364JP-W40

Product line : W40 JP Pump NEMA Premium Efficiency Three-Phase      Product code : 14270421  
 Catalog # : 06018OT3E364JP-W40

Frame : 364/5JP	Locked rotor time : 34s (cold) 19s (hot)
Output : 60 HP (45 kW)	Temperature rise : 80 K
Poles : 4	Duty cycle : Cont.(S1)
Frequency : 60 Hz	Ambient temperature : -20°C to +40°C
Rated voltage : 208-230/460 V	Altitude : 1000 m.a.s.l.
Rated current : 155-140/69.9 A	Protection degree : IP23
L. R. Amperes : 1005-909/454 A	Cooling method : IC01 - ODP
LRC : 6.5x(Code G)	Mounting : F-1
No load current : 42.6-49.4/24.7 A	Rotation <sup>1</sup> : Both (CW and CCW)
Rated speed : 1780 rpm	Noise level <sup>2</sup> : 69.0 dB(A)
Slip : 1.11 %	Starting method : Direct On Line
Rated torque : 175 ft.lb	Approx. weight <sup>3</sup> : 771 lb
Locked rotor torque : 200 %	
Breakdown torque : 240 %	
Insulation class : F	
Service factor : 1.25	
Moment of inertia (J) : 15.6 sq.ft.lb	
Design : B	

Output	25%	50%	75%	100%	Foundation loads
Efficiency (%)	94.4	94.5	95.0	95.0	Max. traction : 1250 lb
Power Factor	0.48	0.73	0.82	0.85	Max. compression : 2022 lb

	<u>Drive end</u>	<u>Non drive end</u>
Bearing type :	6314 C3	6212 Z C3
Sealing :	Without Bearing Seal	Without Bearing Seal
Lubrication interval :	20000 h	20000 h
Lubricant amount :	27 g	13 g
Lubricant type :	Mobil Polyrex EM	

Notes  
 downloaded from <http://dealerselectric.com>

This revision replaces and cancel the previous one, which must be eliminated.  
 (1) Looking the motor from the shaft end.  
 (2) Measured at 1m and with tolerance of +3dB(A).  
 (3) Approximate weight subject to changes after manufacturing process.  
 (4) At 100% of full load.

These are average values based on tests with sinusoidal power supply, subject to the tolerances stipulated in NEMA MG-1.

Rev.	Changes Summary	Performed	Checked	Date
Performed by				
Checked by			Page	Revision
Date	14/04/2019		1 / 2	

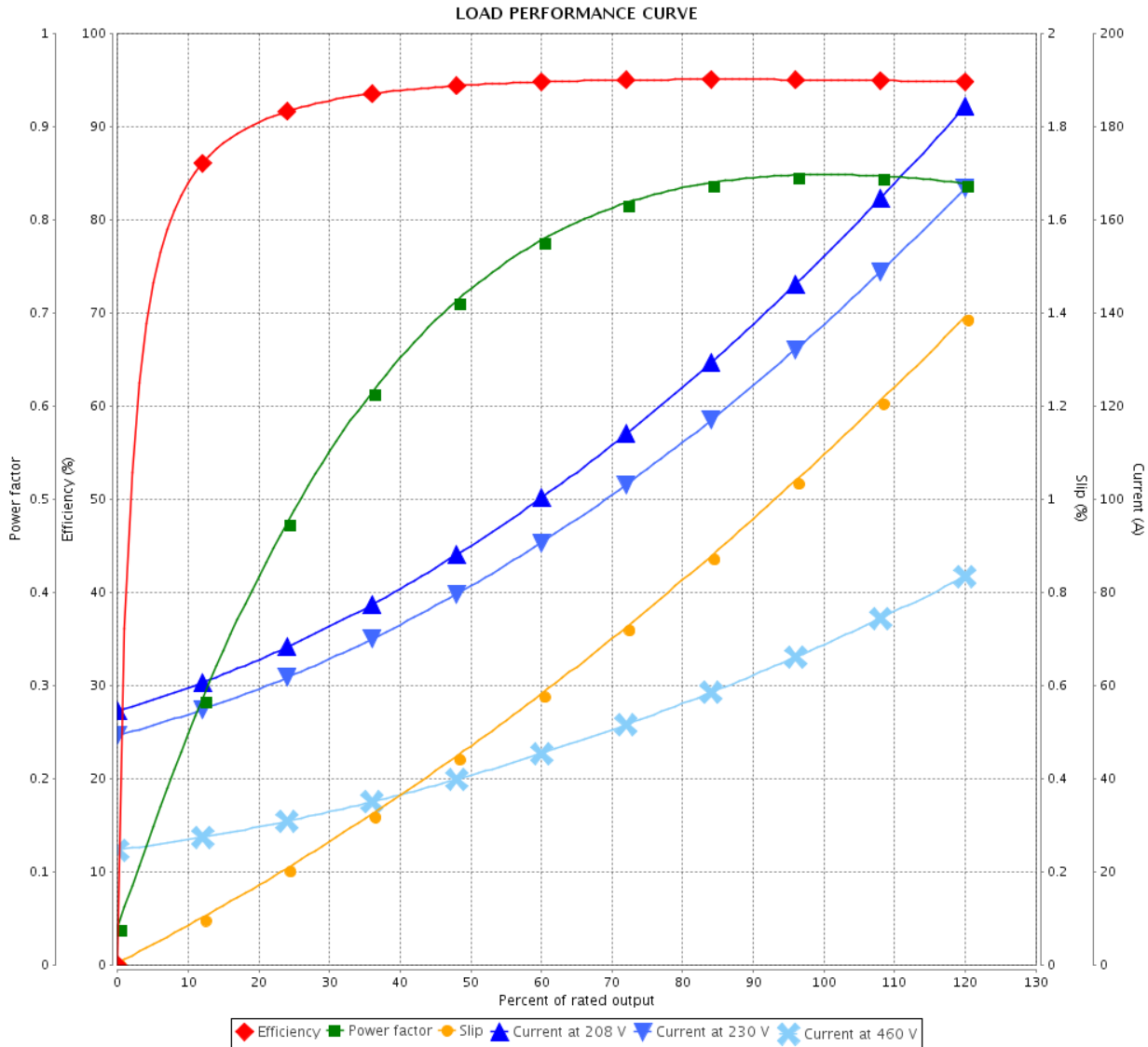
# LOAD PERFORMANCE CURVE



## Three Phase Induction Motor - Squirrel Cage

Customer : Dealers Industrial Equipment 800-469-3110  
 Customer reference : 06018OT3E364JP-W40

Product line : W40 JP Pump NEMA Premium Efficiency Three-Phase      Product code : 14270421  
 Catalog # : 06018OT3E364JP-W40



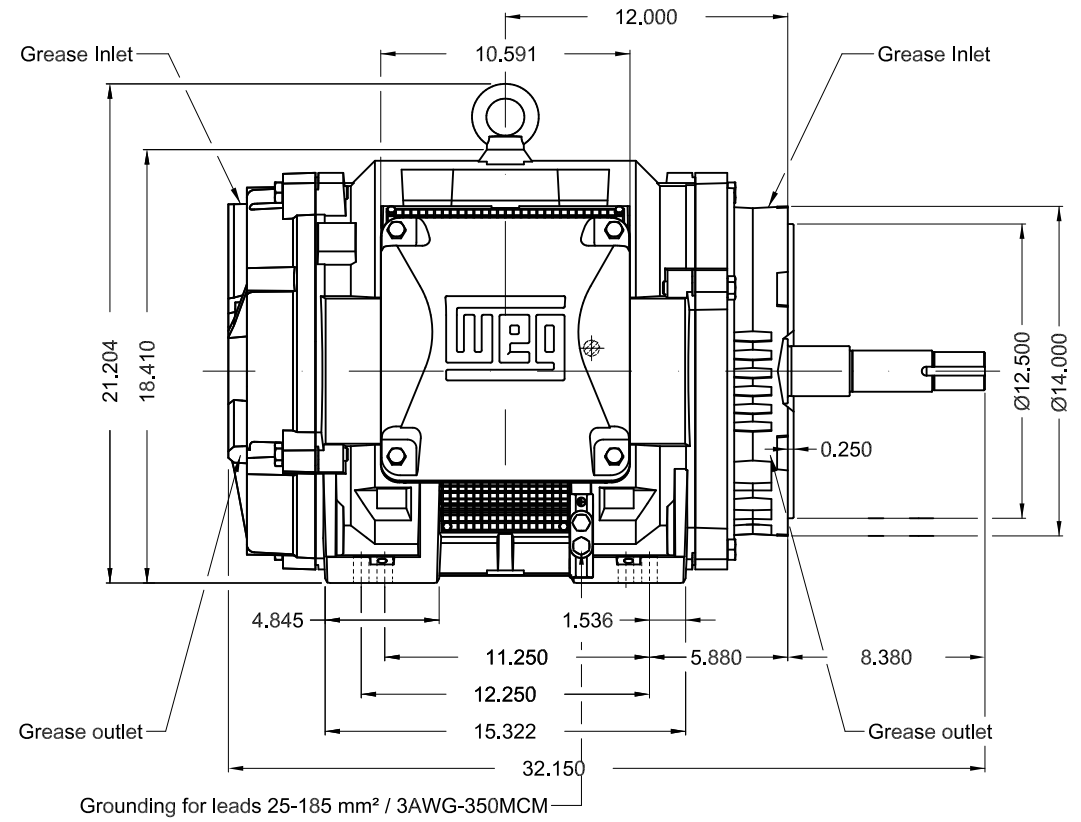
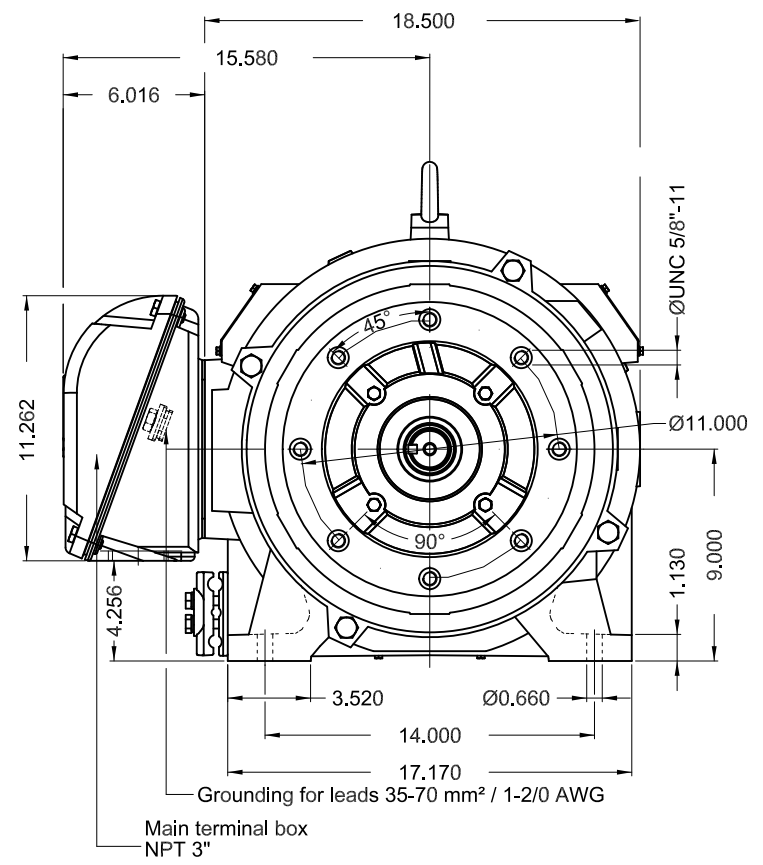
Performance : 208-230/460 V 60 Hz 4P

Rated current : 155-140/69.9 A	Moment of inertia (J) : 15.6 sq.ft.lb
LRC : 6.5	Duty cycle : Cont.(S1)
Rated torque : 175 ft.lb	Insulation class : F
Locked rotor torque : 200 %	Service factor : 1.25
Breakdown torque : 240 %	Temperature rise : 80 K
Rated speed : 1780 rpm	Design : B

Rev.	Changes Summary	Performed	Checked	Date
Performed by			Page	Revision
Checked by				
Date				

Dimensões em polegada  
Dimensions in inches

THIS IS AN UPDATED REVISION, THE  
PREVIOUS ONE MUST BE DISREGARDED.



Color RAL 5009						
Painting plan 203A						
Mounting B34R(D)						
					SCALE	1:8
ECM	LOC	SUMMARY OF MODIFICATIONS			EXECUTED	CHECKED
EXECUTED	USERADMIN	THREE PHASE W40 MOTOR NEMA PREMIUM EFF				
CHECKED		FRAME 364/5JP IP23 ODP				
RELEASED		CLOSE COUPLED PUMP JP TYPE   W				
REL DT	14.04.2019	WMO	Jaragua do Sul	Product Engineering	SHEET	1 / 1

60 HP 04 Poles 60Hz

A

