

DATA SHEET



Three Phase Induction Motor - Squirrel Cage

Customer : Dealers Industrial Equipment 800-469-3110		Customer reference : 05012OT3E365JP-W40				
Product line : W40 JP Pump NEMA Premium Efficiency Three-Phase		Product code : 14269639	Catalog # : 05012OT3E365JP-W40			
Frame : 364/5JP Output : 50 HP (37 kW) Poles : 6 Frequency : 60 Hz Rated voltage : 208-230/460 V Rated current : 128-116/58.1 A L. R. Amperes : 861-779/389 A LRC : 6.7x(Code G) No load current : 35.2-40.8/20.4 A Rated speed : 1185 rpm Slip : 1.25 % Rated torque : 219 ft.lb Locked rotor torque : 220 % Breakdown torque : 240 % Insulation class : F Service factor : 1.25 Moment of inertia (J) : 23.9 sq.ft.lb Design : B	Locked rotor time : 27s (cold) 15s (hot) Temperature rise : 80 K Duty cycle : Cont.(S1) Ambient temperature : -20°C to +40°C Altitude : 1000 m.a.s.l. Protection degree : IP23 Cooling method : IC01 - ODP Mounting : F-1 Rotation ¹ : Both (CW and CCW) Noise level ² : 68.0 dB(A) Starting method : Direct On Line Approx. weight ³ : 820 lb					
Output	25%	50%	75%	100%	Foundation loads	
Efficiency (%)	93.5	93.6	94.1	94.1	Max. traction	: 1709 lb
Power Factor	0.48	0.74	0.82	0.85	Max. compression	: 2529 lb
		<u>Drive end</u>		<u>Non drive end</u>		
Bearing type	:	6314 C3		6212 Z C3		
Sealing	:	Without Bearing Seal		Without Bearing Seal		
Lubrication interval	:	20000 h		20000 h		
Lubricant amount	:	27 g		13 g		
Lubricant type	:	Mobil Polyrex EM				
Notes downloaded from http://dealerselectric.com						
This revision replaces and cancel the previous one, which must be eliminated. (1) Looking the motor from the shaft end. (2) Measured at 1m and with tolerance of +3dB(A). (3) Approximate weight subject to changes after manufacturing process. (4) At 100% of full load.				These are average values based on tests with sinusoidal power supply, subject to the tolerances stipulated in NEMA MG-1.		
Rev.	Changes Summary			Performed	Checked	Date
Performed by						
Checked by					Page	Revision
Date	14/04/2019				1 / 2	

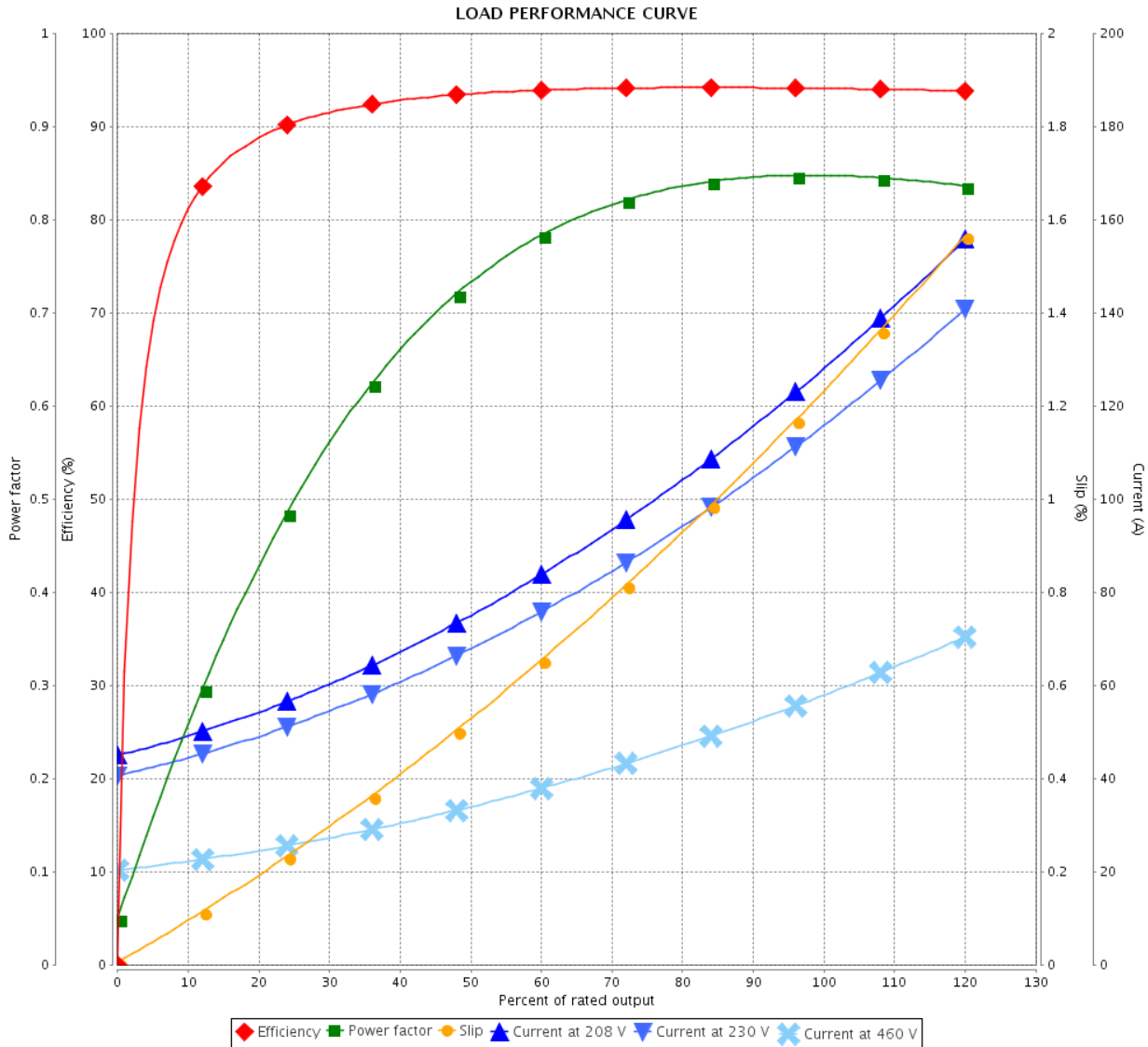
LOAD PERFORMANCE CURVE



Three Phase Induction Motor - Squirrel Cage

Customer : Dealers Industrial Equipment 800-469-3110
 Customer reference : 05012OT3E365JP-W40

Product line : W40 JP Pump NEMA Premium Efficiency Three-Phase Product code : 14269639
 Catalog # : 05012OT3E365JP-W40



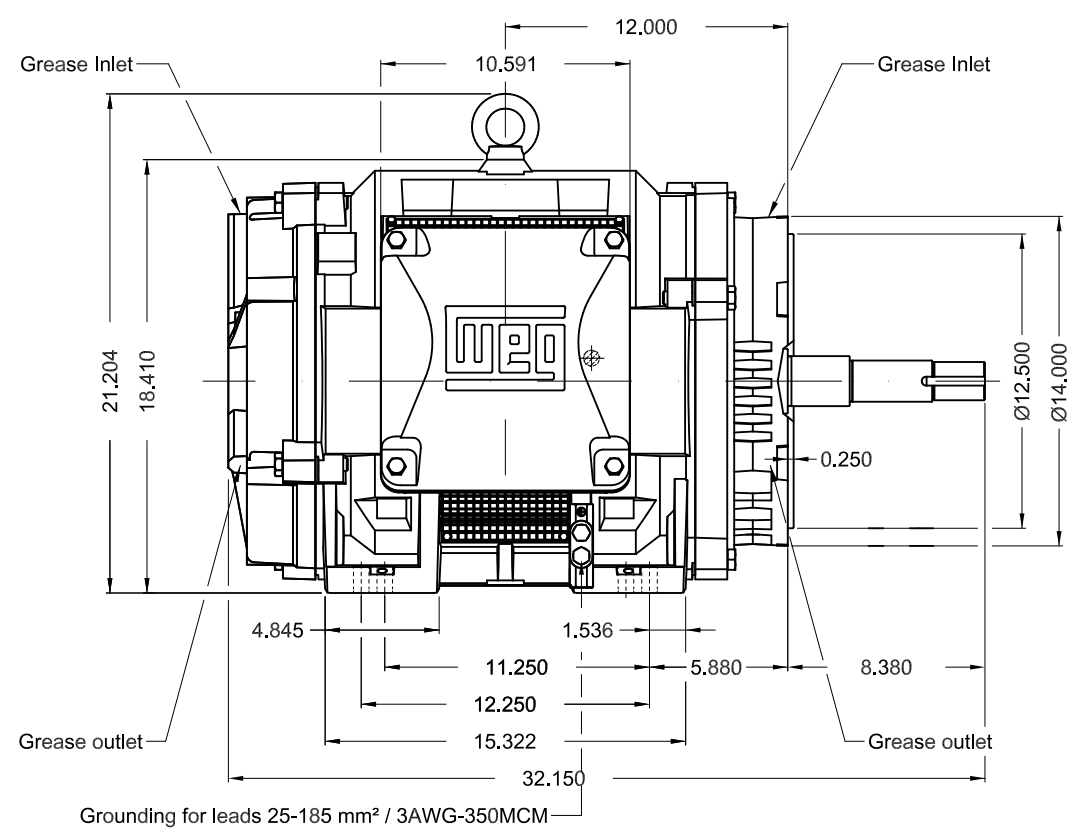
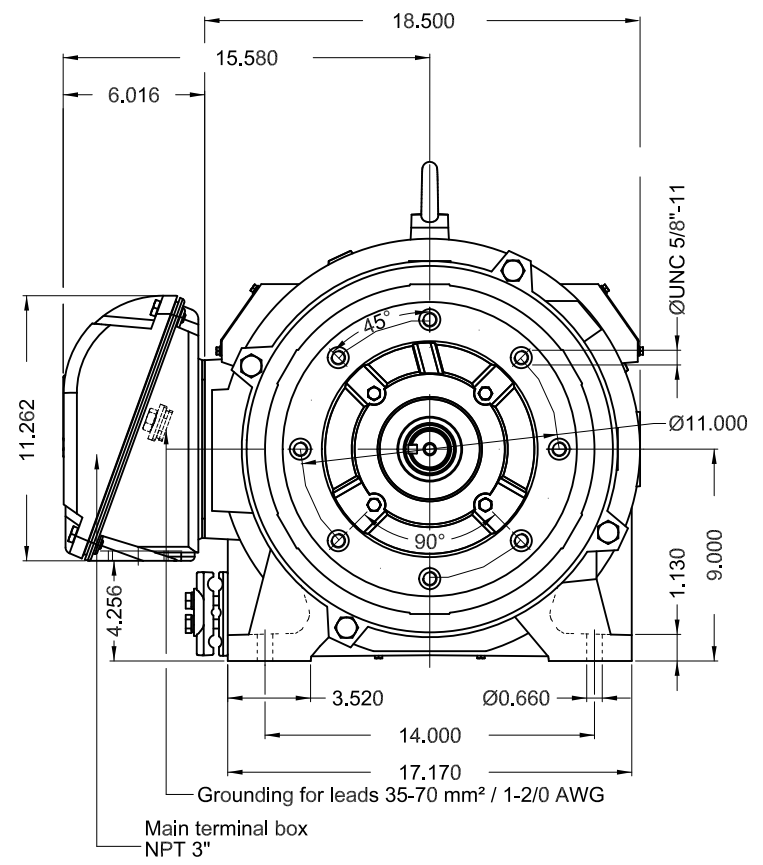
Performance : 208-230/460 V 60 Hz 6P

Rated current : 128-116/58.1 A	Moment of inertia (J) : 23.9 sq.ft.lb
LRC : 6.7	Duty cycle : Cont.(S1)
Rated torque : 219 ft.lb	Insulation class : F
Locked rotor torque : 220 %	Service factor : 1.25
Breakdown torque : 240 %	Temperature rise : 80 K
Rated speed : 1185 rpm	Design : B

Rev.	Changes Summary	Performed	Checked	Date
Performed by			Page 2 / 2	Revision
Checked by				
Date	14/04/2019			

Dimensões em polegada
Dimensions in inches

THIS IS AN UPDATED REVISION, THE
PREVIOUS ONE MUST BE DISREGARDED.



Color RAL 5009						
Painting plan 203A						
Mounting B34R(D)						
					SCALE	1:8
ECM	LOC	SUMMARY OF MODIFICATIONS			EXECUTED	CHECKED
EXECUTED	USERADMIN	THREE PHASE W40 MOTOR NEMA PREMIUM EFF				
CHECKED		FRAME 364/5JP IP23 ODP				
RELEASED		CLOSE COUPLED PUMP JP TYPE W				
REL DT	14.04.2019	WMO	Jaragua do Sul	Product Engineering	SHEET	1 / 1

50 HP 06 Poles 60Hz

A

