

DATA SHEET



Three Phase Induction Motor - Squirrel Cage

Customer		: Dealers Industrial Equipment 800-469-3110				
Customer reference		: 07536OT3G364JM-W40				
Product line		: W40 JM Pump NEMA Premium Efficiency Three-Phase		Product code : 14269585		
				Catalog # : 07536OT3G364JM-W40		
Frame		: 364/5JM		Locked rotor time		
Output		: 75 HP (55 kW)		: 34s (cold) 19s (hot)		
Poles		: 2		Temperature rise		
Frequency		: 60 Hz		: 80 K		
Rated voltage		: 460 V		Duty cycle		
Rated current		: 84.8 A		: Cont.(S1)		
L. R. Amperes		: 560 A		Ambient temperature		
LRC		: 6.6x(Code G)		: -20°C to +40°C		
No load current		: 21.5 A		Altitude		
Rated speed		: 3560 rpm		: 1000 m.a.s.l.		
Slip		: 1.11 %		Protection degree		
Rated torque		: 109 ft.lb		: IP23		
Locked rotor torque		: 200 %		Cooling method		
Breakdown torque		: 250 %		: IC01 - ODP		
Insulation class		: F		Mounting		
Service factor		: 1.25		: F-1		
Moment of inertia (J)		: 6.40 sq.ft.lb		Rotation ¹		
Design		: B		: Both (CW and CCW)		
				Noise level ²		
				: 84.0 dB(A)		
				Starting method		
				: Direct On Line		
				Approx. weight ³		
				: 736 lb		
Output		25%	50%	75%	100%	
Efficiency (%)		91.0	91.7	93.0	93.6	
Power Factor		0.56	0.77	0.84	0.87	
		Foundation loads				
		Max. traction : 651 lb				
		Max. compression : 1387 lb				
		<u>Drive end</u>		<u>Non drive end</u>		
Bearing type		: 6314 C3		6212 Z C3		
Sealing		: Without Bearing Seal		Without Bearing Seal		
Lubrication interval		: 14418 h		20000 h		
Lubricant amount		: 27 g		13 g		
Lubricant type		: Mobil Polyrex EM				
Notes						
downloaded from http://dealerselectric.com						
This revision replaces and cancel the previous one, which must be eliminated.			These are average values based on tests with sinusoidal power supply, subject to the tolerances stipulated in NEMA MG-1.			
(1) Looking the motor from the shaft end.						
(2) Measured at 1m and with tolerance of +3dB(A).						
(3) Approximate weight subject to changes after manufacturing process.						
(4) At 100% of full load.						
Rev.	Changes Summary			Performed	Checked	Date
Performed by						
Checked by					Page	Revision
Date	14/04/2019				1 / 2	

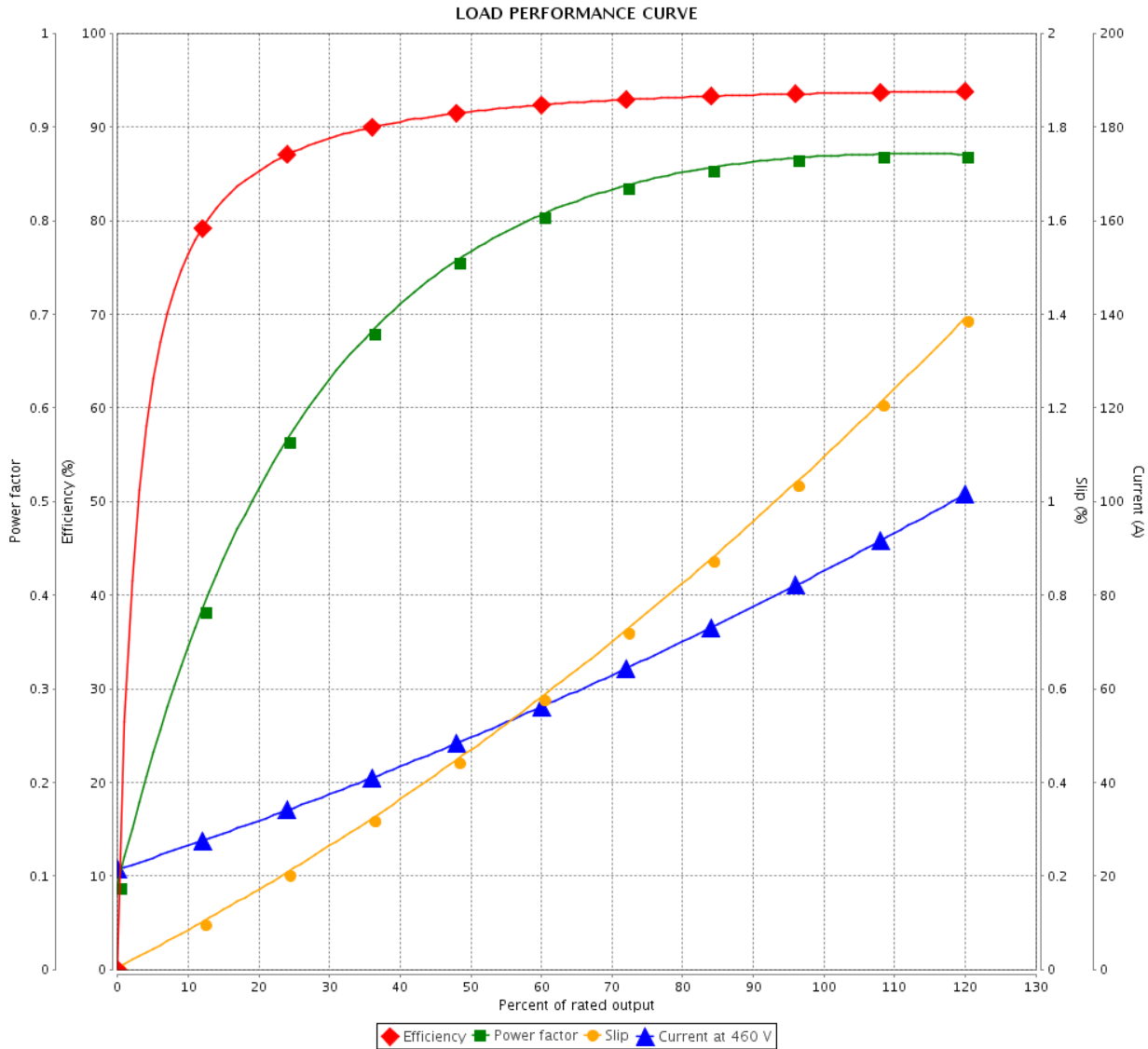
LOAD PERFORMANCE CURVE



Three Phase Induction Motor - Squirrel Cage

Customer : Dealers Industrial Equipment 800-469-3110
 Customer reference : 07536OT3G364JM-W40

Product line : W40 JM Pump NEMA Premium Efficiency Three-Phase Product code : 14269585
 Catalog # : 07536OT3G364JM-W40



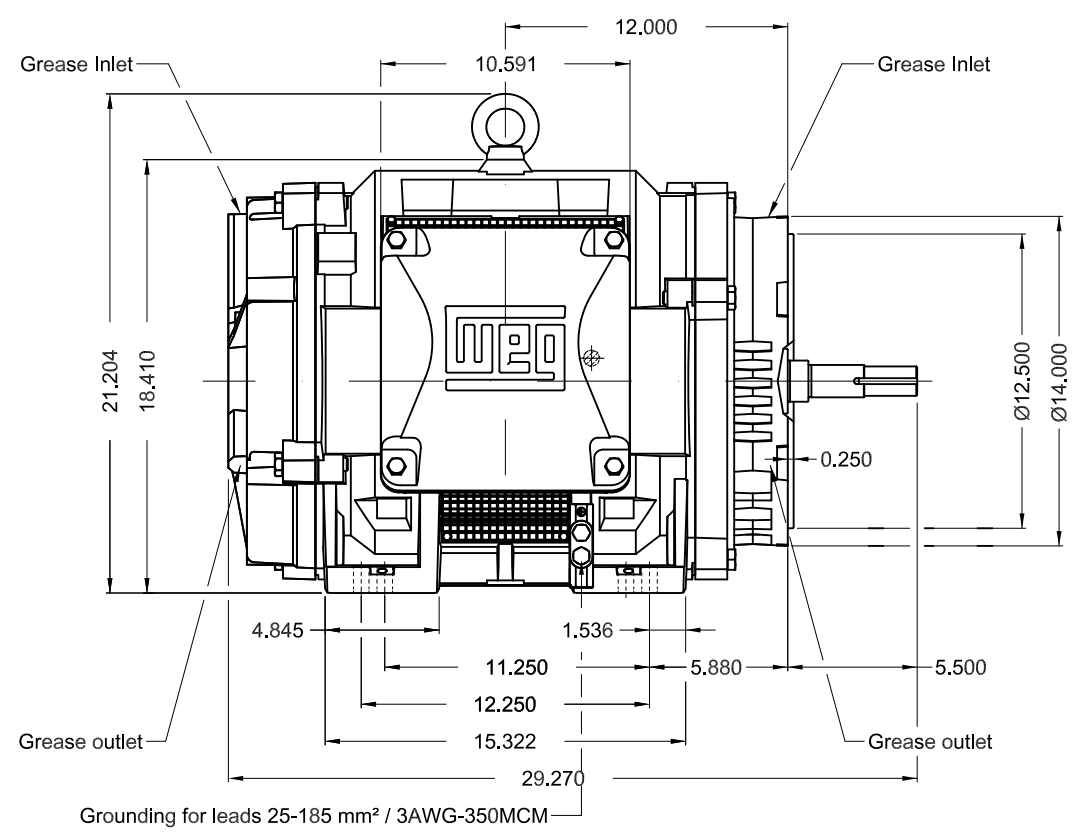
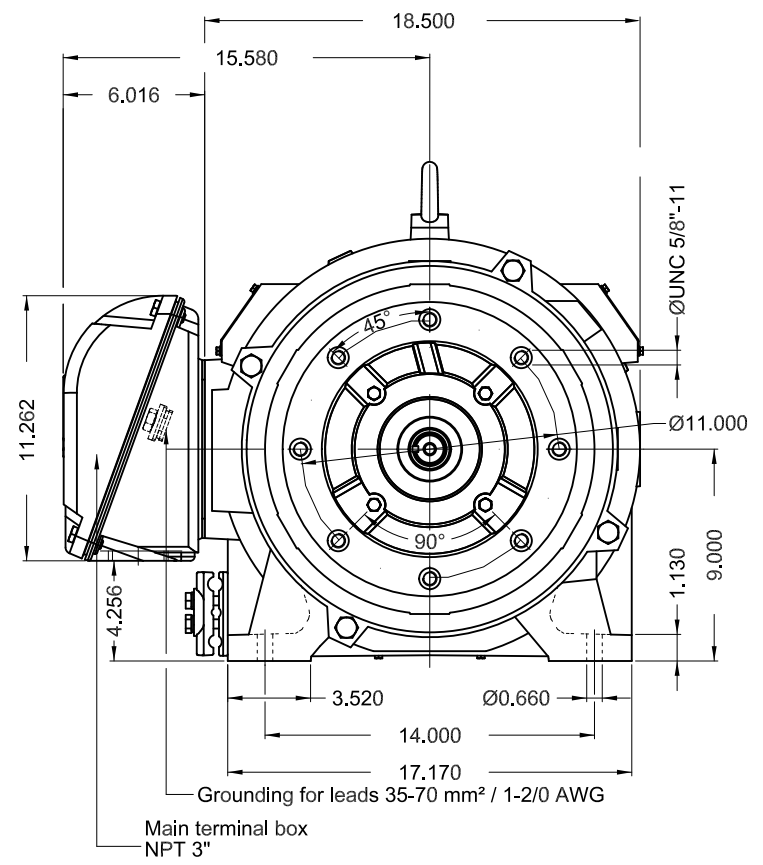
Performance : 460 V 60 Hz 2P

Rated current : 84.8 A	Moment of inertia (J) : 6.40 sq.ft.lb
LRC : 6.6	Duty cycle : Cont.(S1)
Rated torque : 109 ft.lb	Insulation class : F
Locked rotor torque : 200 %	Service factor : 1.25
Breakdown torque : 250 %	Temperature rise : 80 K
Rated speed : 3560 rpm	Design : B

Rev.	Changes Summary	Performed	Checked	Date
Performed by			Page 2 / 2	Revision
Checked by				
Date	14/04/2019			

Dimensões em polegada
Dimensions in inches

THIS IS AN UPDATED REVISION, THE
PREVIOUS ONE MUST BE DISREGARDED.



Color RAL 5009						
Painting plan 203A						
Mounting B34R(D)						
					SCALE	1:8
ECM	LOC	SUMMARY OF MODIFICATIONS		EXECUTED	CHECKED	RELEASED
EXECUTED	USERADMIN	THREE PHASE W40 MOTOR NEMA PREMIUM EFF				
CHECKED		FRAME 364/5JM IP23 ODP				
RELEASED		CLOSE COUPLED PUMP JM TYPE W				
REL DT	14.04.2019	WMO	Jaragua do Sul	Product Engineering	SHEET	1 / 1

75 HP 02 Poles 60Hz

A

