

DATA SHEET



Three Phase Induction Motor - Squirrel Cage

Customer		: Dealers Industrial Equipment 800-469-3110			
Customer reference		: 07536OT3E364JM-W40			
Product line		: W40 JM Pump NEMA Premium Efficiency Three-Phase		Product code : 14269584	
				Catalog # : 07536OT3E364JM-W40	
Frame		: 364/5JM		Locked rotor time	
Output		: 75 HP (55 kW)		: 34s (cold) 19s (hot)	
Poles		: 2		Temperature rise	
Frequency		: 60 Hz		: 80 K	
Rated voltage		: 208-230/460 V		Duty cycle	
Rated current		: 188-170/84.8 A		: Cont.(S1)	
L. R. Amperes		: 1238-1119/560 A		Ambient temperature	
LRC		: 6.6x(Code G)		: -20°C to +40°C	
No load current		: 37.1-43.0/21.5 A		Altitude	
Rated speed		: 3560 rpm		: 1000 m.a.s.l.	
Slip		: 1.11 %		Protection degree	
Rated torque		: 109 ft.lb		: IP23	
Locked rotor torque		: 200 %		Cooling method	
Breakdown torque		: 250 %		: IC01 - ODP	
Insulation class		: F		Mounting	
Service factor		: 1.25		: F-1	
Moment of inertia (J)		: 6.40 sq.ft.lb		Rotation ¹	
Design		: B		: Both (CW and CCW)	
				Noise level ²	
				: 84.0 dB(A)	
				Starting method	
				: Direct On Line	
				Approx. weight ³	
				: 740 lb	
Output		25%	50%	75%	100%
Efficiency (%)		91.0	91.7	93.0	93.6
Power Factor		0.56	0.77	0.84	0.87
		Foundation loads			
		Max. traction : 649 lb			
		Max. compression : 1390 lb			
		<u>Drive end</u>		<u>Non drive end</u>	
Bearing type		: 6314 C3		6212 Z C3	
Sealing		: Without Bearing Seal		Without Bearing Seal	
Lubrication interval		: 14418 h		20000 h	
Lubricant amount		: 27 g		13 g	
Lubricant type		: Mobil Polyrex EM			
Notes downloaded from http://dealerselectric.com					
This revision replaces and cancel the previous one, which must be eliminated. (1) Looking the motor from the shaft end. (2) Measured at 1m and with tolerance of +3dB(A). (3) Approximate weight subject to changes after manufacturing process. (4) At 100% of full load.			These are average values based on tests with sinusoidal power supply, subject to the tolerances stipulated in NEMA MG-1.		
Rev.	Changes Summary			Performed	Checked
Performed by					
Checked by				Page	Revision
Date	14/04/2019			1 / 2	

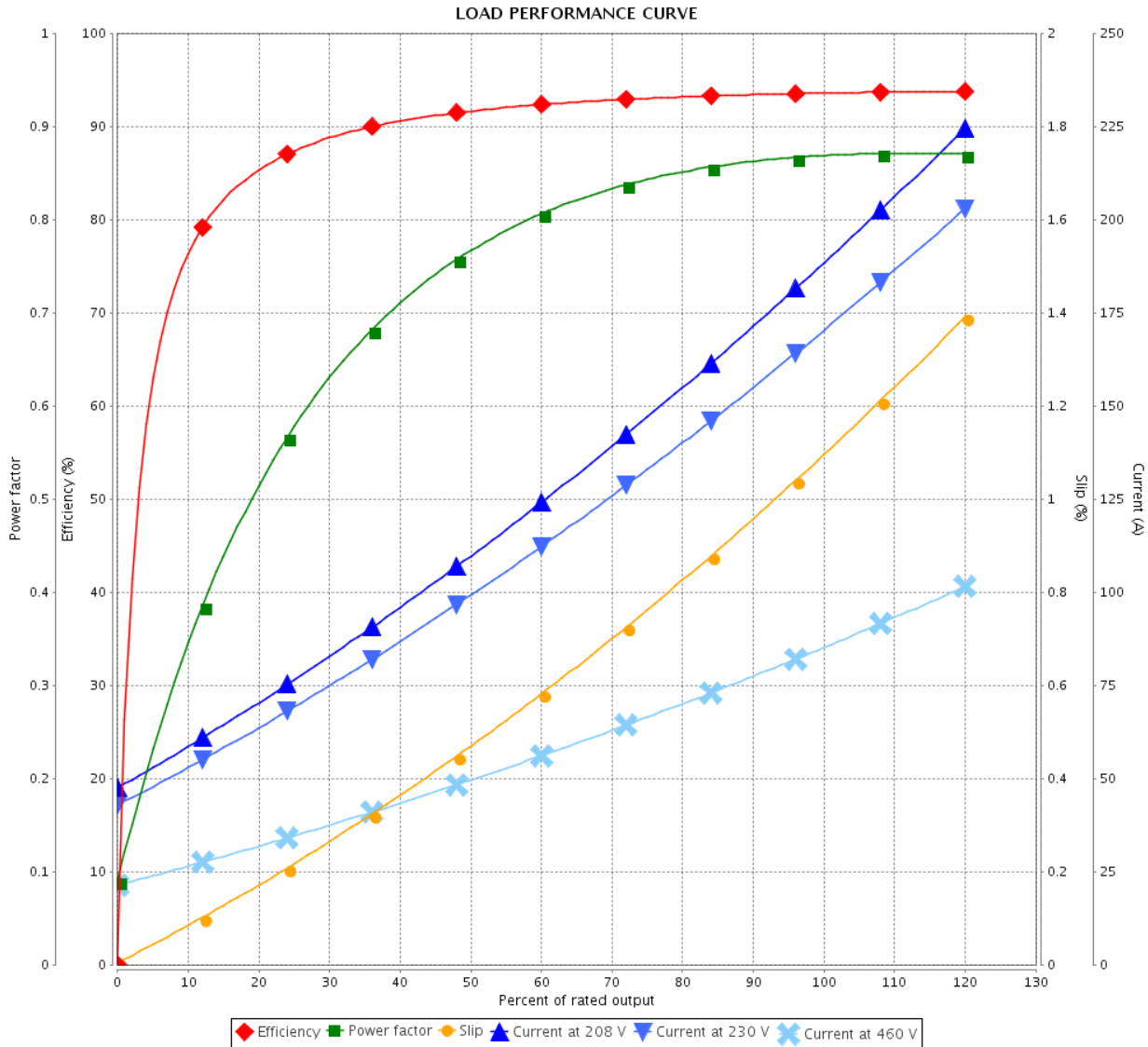
LOAD PERFORMANCE CURVE



Three Phase Induction Motor - Squirrel Cage

Customer : Dealers Industrial Equipment 800-469-3110
 Customer reference : 07536OT3E364JM-W40

Product line : W40 JM Pump NEMA Premium Efficiency Three-Phase Product code : 14269584
 Catalog # : 07536OT3E364JM-W40



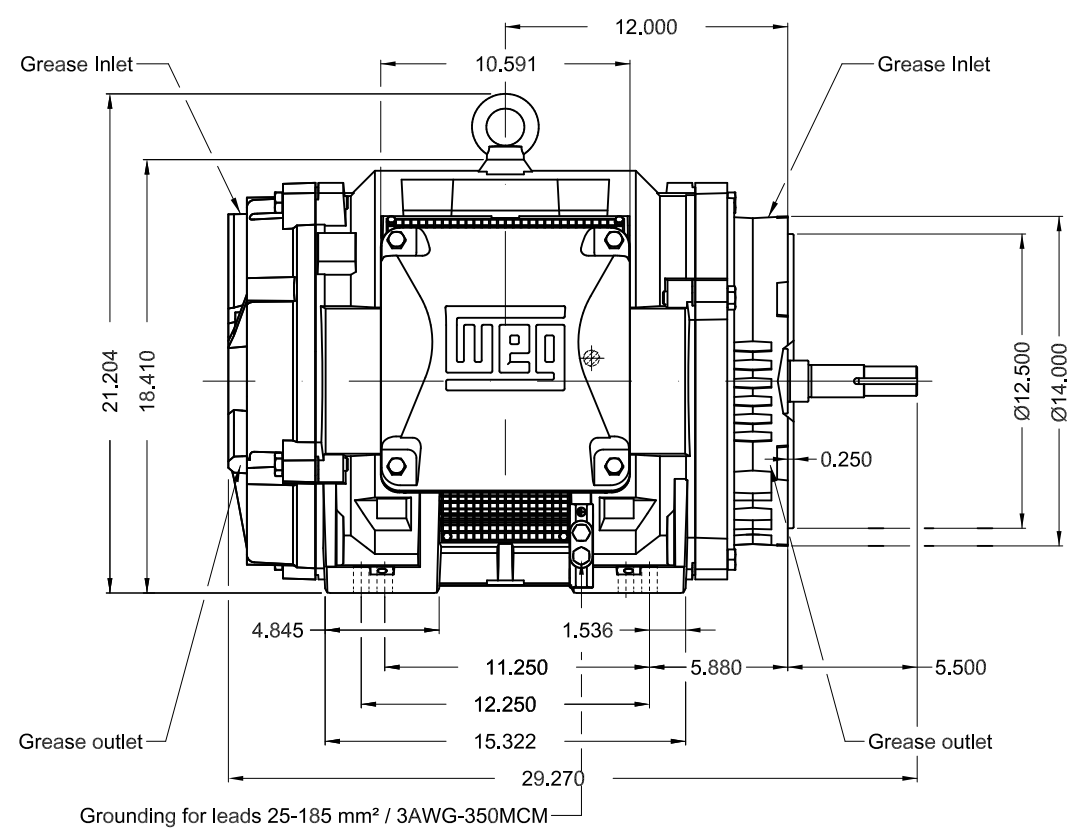
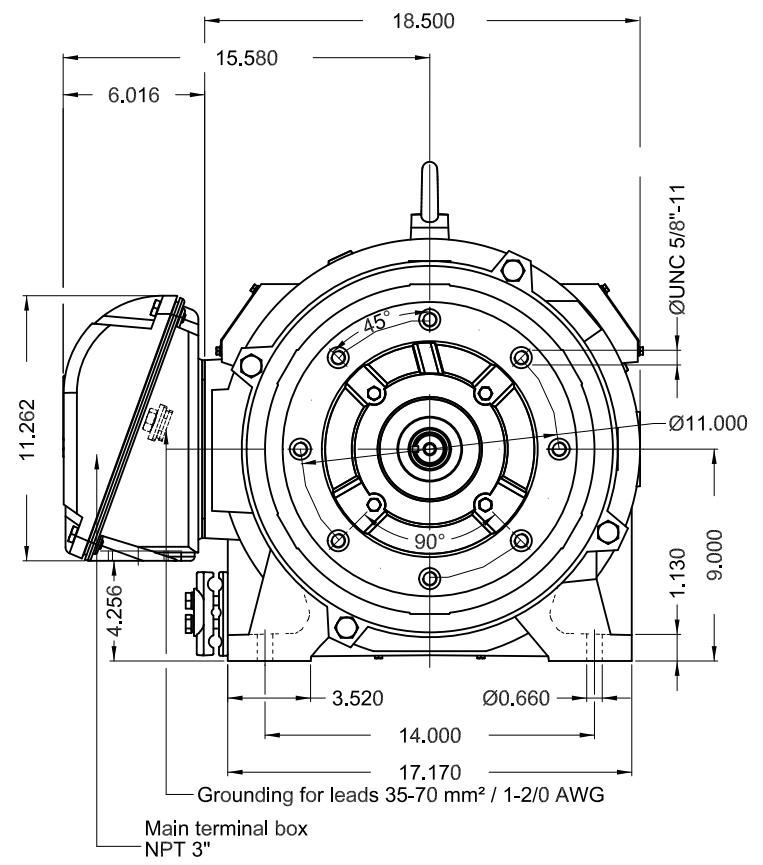
Performance : 208-230/460 V 60 Hz 2P

Rated current : 188-170/84.8 A	Moment of inertia (J) : 6.40 sq.ft.lb
LRC : 6.6	Duty cycle : Cont.(S1)
Rated torque : 109 ft.lb	Insulation class : F
Locked rotor torque : 200 %	Service factor : 1.25
Breakdown torque : 250 %	Temperature rise : 80 K
Rated speed : 3560 rpm	Design : B

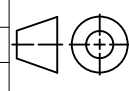
Rev.	Changes Summary	Performed	Checked	Date
Performed by			Page	Revision
Checked by				
Date				

Dimensões em polegada
Dimensions in inches

THIS IS AN UPDATED REVISION, THE
PREVIOUS ONE MUST BE DISREGARDED.



Color RAL 5009
Painting plan 203A
Mounting B34R(D)

					SCALE	1:8		
ECM	LOC	SUMMARY OF MODIFICATIONS		EXECUTED	CHECKED	RELEASED	DATE	VER
EXECUTED	USERADMIN		THREE PHASE W40 MOTOR NEMA PREMIUM EFF					
CHECKED			FRAME 364/5JM IP23 ODP					
RELEASED			CLOSE COUPLED PUMP JM TYPE W					
REL DT	14.04.2019	WMO	Jaragua do Sul	Product Engineering	SHEET	1 / 1		

75 HP 02 Poles 60Hz

A



ZME A3