

DATA SHEET



Three Phase Induction Motor - Squirrel Cage

Customer : Dealers Industrial Equipment 800-469-3110
 Customer reference : 07518OT3G365JM-W40

Product line : W40 JM Pump NEMA Premium Efficiency Three-Phase Product code : 14269582
 Catalog # : 07518OT3G365JM-W40

Frame	: 364/5JM	Locked rotor time	: 25s (cold) 14s (hot)
Output	: 75 HP (55 kW)	Temperature rise	: 80 K
Poles	: 4	Duty cycle	: Cont.(S1)
Frequency	: 60 Hz	Ambient temperature	: -20°C to +40°C
Rated voltage	: 460 V	Altitude	: 1000 m.a.s.l.
Rated current	: 85.5 A	Protection degree	: IP23
L. R. Amperes	: 581 A	Cooling method	: IC01 - ODP
LRC	: 6.8x(Code G)	Mounting	: F-1
No load current	: 30.5 A	Rotation ¹	: Both (CW and CCW)
Rated speed	: 1780 rpm	Noise level ²	: 69.0 dB(A)
Slip	: 1.11 %	Starting method	: Direct On Line
Rated torque	: 218 ft.lb	Approx. weight ³	: 811 lb
Locked rotor torque	: 220 %		
Breakdown torque	: 260 %		
Insulation class	: F		
Service factor	: 1.25		
Moment of inertia (J)	: 16.8 sq.ft.lb		
Design	: B		

Output	25%	50%	75%	100%	Foundation loads	
Efficiency (%)	94.4	94.5	95.0	95.0	Max. traction	: 1632 lb
Power Factor	0.48	0.73	0.82	0.85	Max. compression	: 2443 lb

	Drive end	Non drive end
Bearing type	: 6314 C3	6212 Z C3
Sealing	: Without Bearing Seal	Without Bearing Seal
Lubrication interval	: 20000 h	20000 h
Lubricant amount	: 27 g	13 g
Lubricant type	: Mobil Polyrex EM	

Notes
 downloaded from <http://dealerselectric.com>

This revision replaces and cancel the previous one, which must be eliminated.
 (1) Looking the motor from the shaft end.
 (2) Measured at 1m and with tolerance of +3dB(A).
 (3) Approximate weight subject to changes after manufacturing process.
 (4) At 100% of full load.

These are average values based on tests with sinusoidal power supply, subject to the tolerances stipulated in NEMA MG-1.

Rev.	Changes Summary	Performed	Checked	Date
Performed by		Page		Revision
Checked by		1 / 2		
Date	14/04/2019			

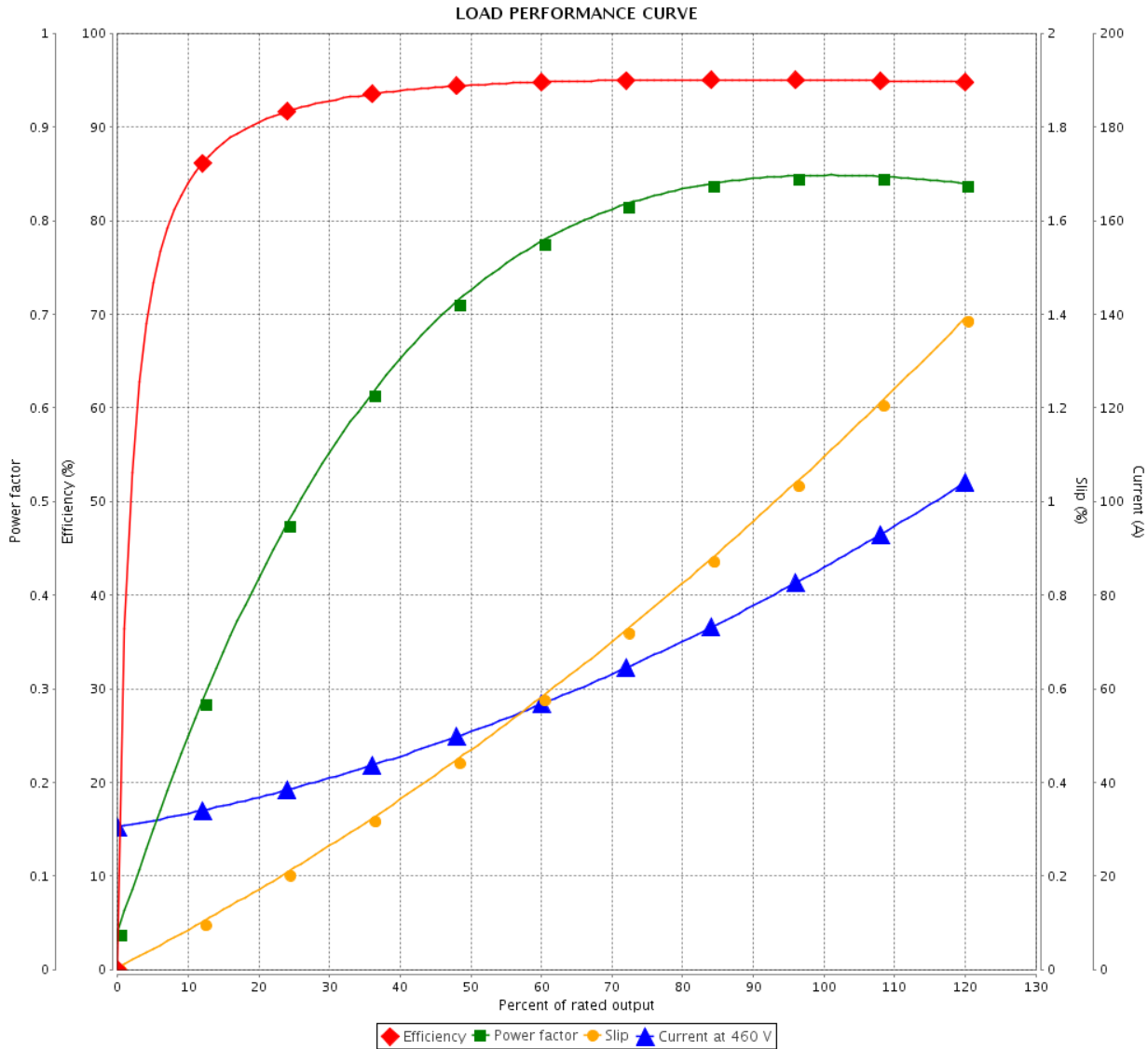
LOAD PERFORMANCE CURVE



Three Phase Induction Motor - Squirrel Cage

Customer : Dealers Industrial Equipment 800-469-3110
 Customer reference : 07518OT3G365JM-W40

Product line : W40 JM Pump NEMA Premium Efficiency Three-Phase Product code : 14269582
 Catalog # : 07518OT3G365JM-W40



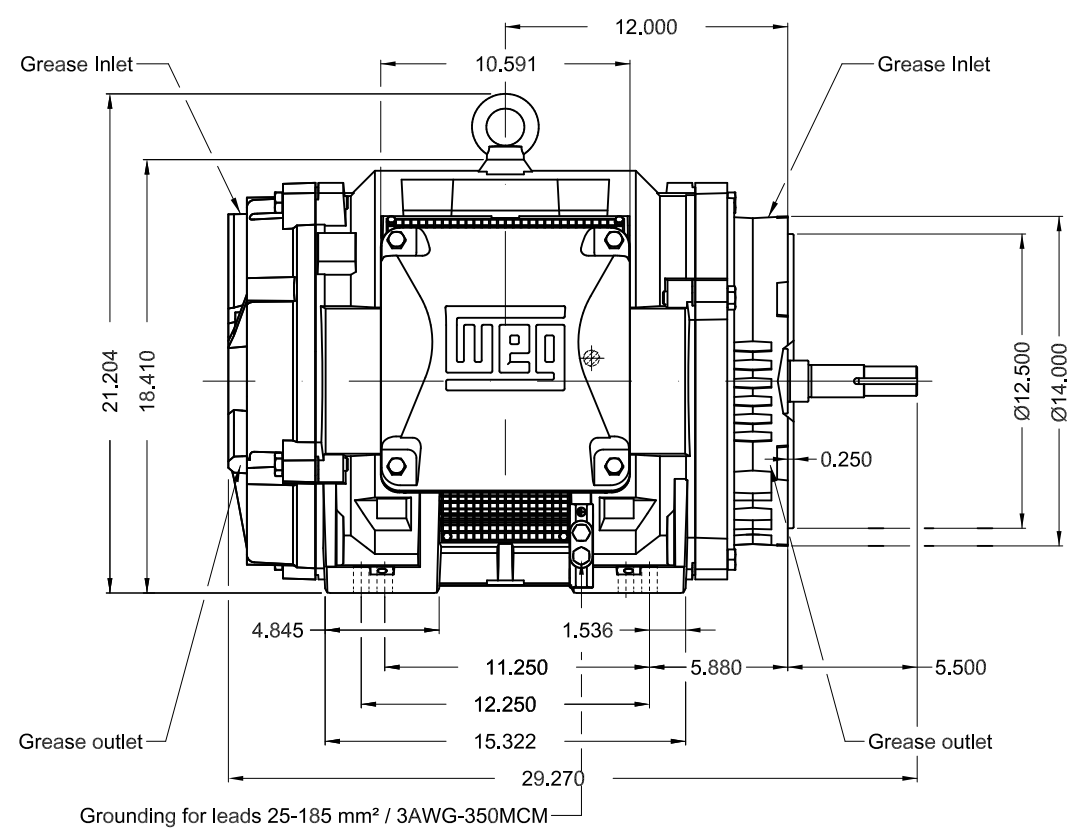
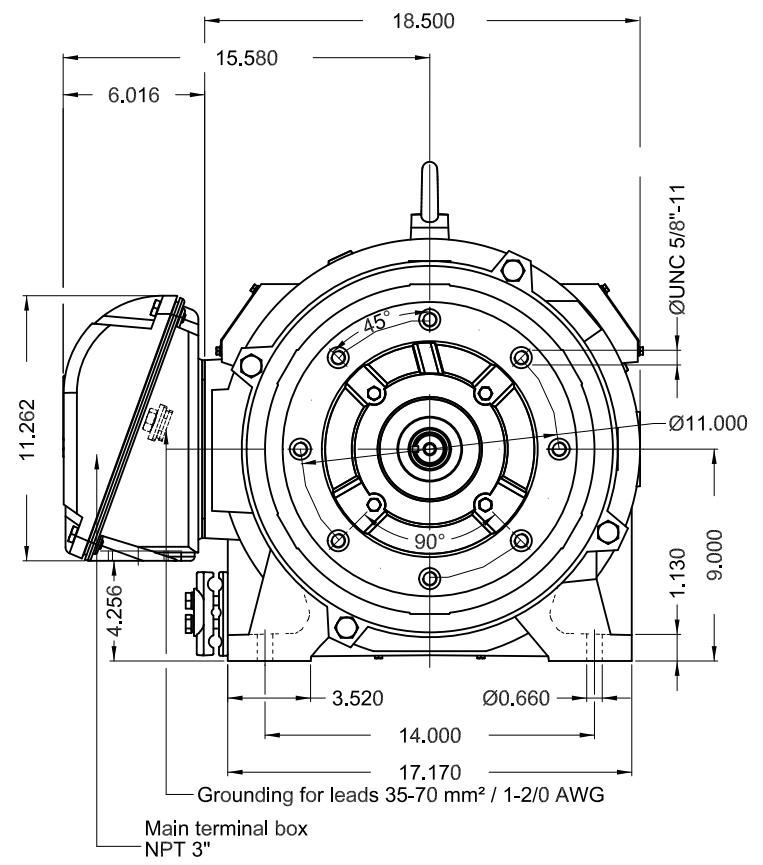
Performance : 460 V 60 Hz 4P

Rated current : 85.5 A	Moment of inertia (J) : 16.8 sq.ft.lb
LRC : 6.8	Duty cycle : Cont.(S1)
Rated torque : 218 ft.lb	Insulation class : F
Locked rotor torque : 220 %	Service factor : 1.25
Breakdown torque : 260 %	Temperature rise : 80 K
Rated speed : 1780 rpm	Design : B

Rev.	Changes Summary	Performed	Checked	Date
Performed by			Page 2 / 2	Revision
Checked by				
Date	14/04/2019			

Dimensões em polegada
Dimensions in inches

THIS IS AN UPDATED REVISION, THE
PREVIOUS ONE MUST BE DISREGARDED.



Color RAL 5009									
Painting plan 203A									
Mounting B34R(D)									
					SCALE	1:8			
ECM	LOC	SUMMARY OF MODIFICATIONS			EXECUTED	CHECKED	RELEASED	DATE	VER
EXECUTED	USERADMIN	THREE PHASE W40 MOTOR NEMA PREMIUM EFF							
CHECKED		FRAME 364/5JM IP23 ODP							
RELEASED		CLOSE COUPLED PUMP JM TYPE W							
REL DT	14.04.2019	WMO	Jaragua do Sul	Product Engineering	SHEET	1 / 1			

75 HP 04 Poles 60Hz

A

