

DATA SHEET



Three Phase Induction Motor - Squirrel Cage

Customer	: Dealers Industrial Equipment 800-469-3110					
Customer reference	: 06018OT3G364JM-W40					
Product line	: W40 JM Pump NEMA Premium Efficiency Three-Phase		Product code :	14269580		
			Catalog # :	06018OT3G364JM-W40		
Frame	: 364/5JM		Locked rotor time	: 34s (cold) 19s (hot)		
Output	: 60 HP (45 kW)		Temperature rise	: 80 K		
Poles	: 4		Duty cycle	: Cont.(S1)		
Frequency	: 60 Hz		Ambient temperature	: -20°C to +40°C		
Rated voltage	: 460 V		Altitude	: 1000 m.a.s.l.		
Rated current	: 69.9 A		Protection degree	: IP23		
L. R. Amperes	: 454 A		Cooling method	: IC01 - ODP		
LRC	: 6.5x(Code G)		Mounting	: F-1		
No load current	: 24.7 A		Rotation ¹	: Both (CW and CCW)		
Rated speed	: 1780 rpm		Noise level ²	: 69.0 dB(A)		
Slip	: 1.11 %		Starting method	: Direct On Line		
Rated torque	: 175 ft.lb		Approx. weight ³	: 785 lb		
Locked rotor torque	: 200 %					
Breakdown torque	: 240 %					
Insulation class	: F					
Service factor	: 1.25					
Moment of inertia (J)	: 15.6 sq.ft.lb					
Design	: B					
Output	25%	50%	75%	100%		
Efficiency (%)	94.4	94.5	95.0	95.0		
Power Factor	0.48	0.73	0.82	0.85		
	Foundation loads					
	Max. traction : 1243 lb					
	Max. compression : 2028 lb					
	<u>Drive end</u>		<u>Non drive end</u>			
Bearing type	: 6314 C3		: 6212 Z C3			
Sealing	: Without Bearing Seal		: Without Bearing Seal			
Lubrication interval	: 20000 h		: 20000 h			
Lubricant amount	: 27 g		: 13 g			
Lubricant type	: Mobil Polyrex EM					
Notes downloaded from http://dealerselectric.com						
This revision replaces and cancel the previous one, which must be eliminated. (1) Looking the motor from the shaft end. (2) Measured at 1m and with tolerance of +3dB(A). (3) Approximate weight subject to changes after manufacturing process. (4) At 100% of full load.			These are average values based on tests with sinusoidal power supply, subject to the tolerances stipulated in NEMA MG-1.			
Rev.	Changes Summary			Performed	Checked	Date
Performed by						
Checked by					Page	Revision
Date	14/04/2019				1 / 2	

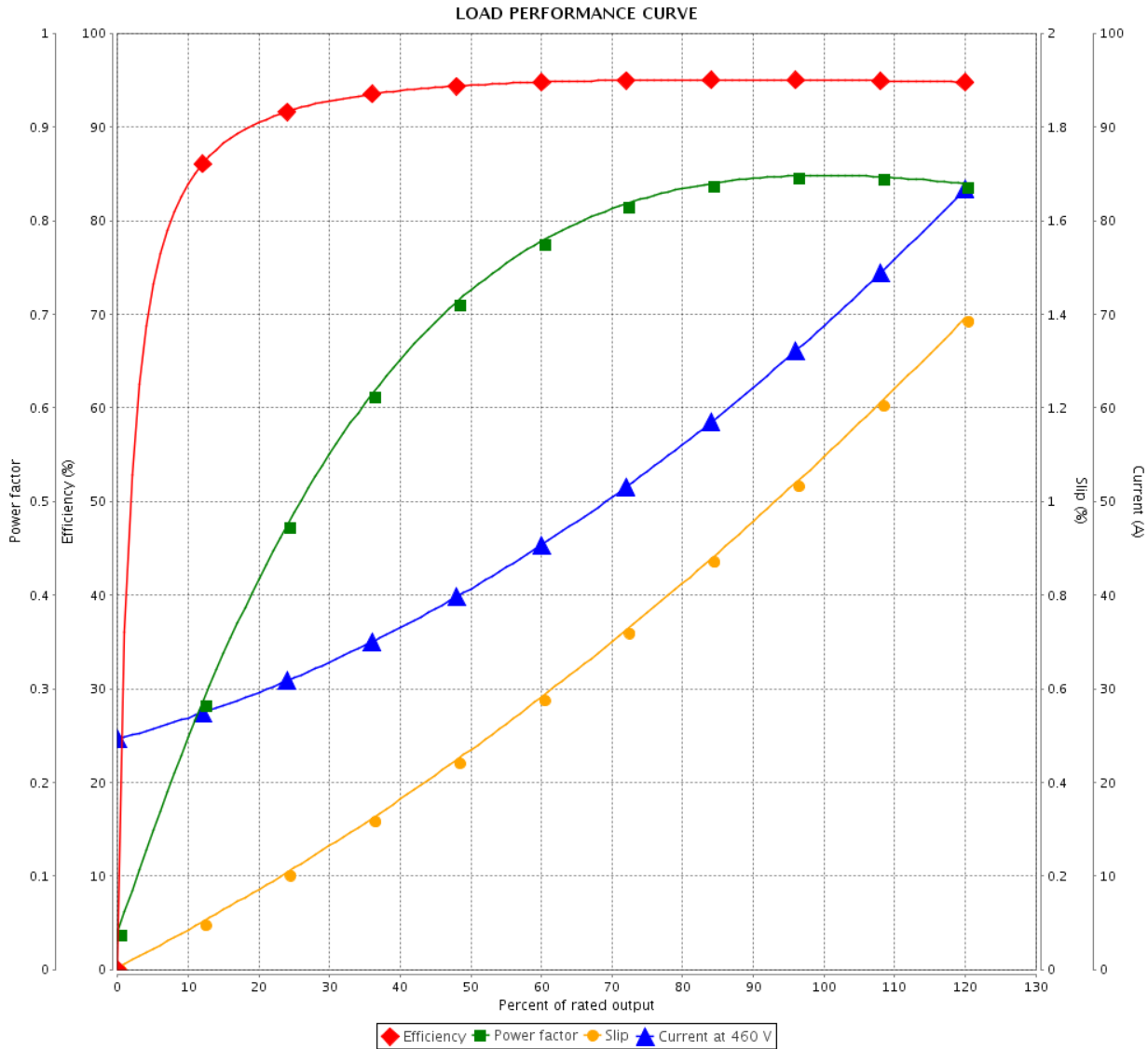
LOAD PERFORMANCE CURVE



Three Phase Induction Motor - Squirrel Cage

Customer : Dealers Industrial Equipment 800-469-3110
 Customer reference : 06018OT3G364JM-W40

Product line : W40 JM Pump NEMA Premium Efficiency Three-Phase Product code : 14269580
 Catalog # : 06018OT3G364JM-W40

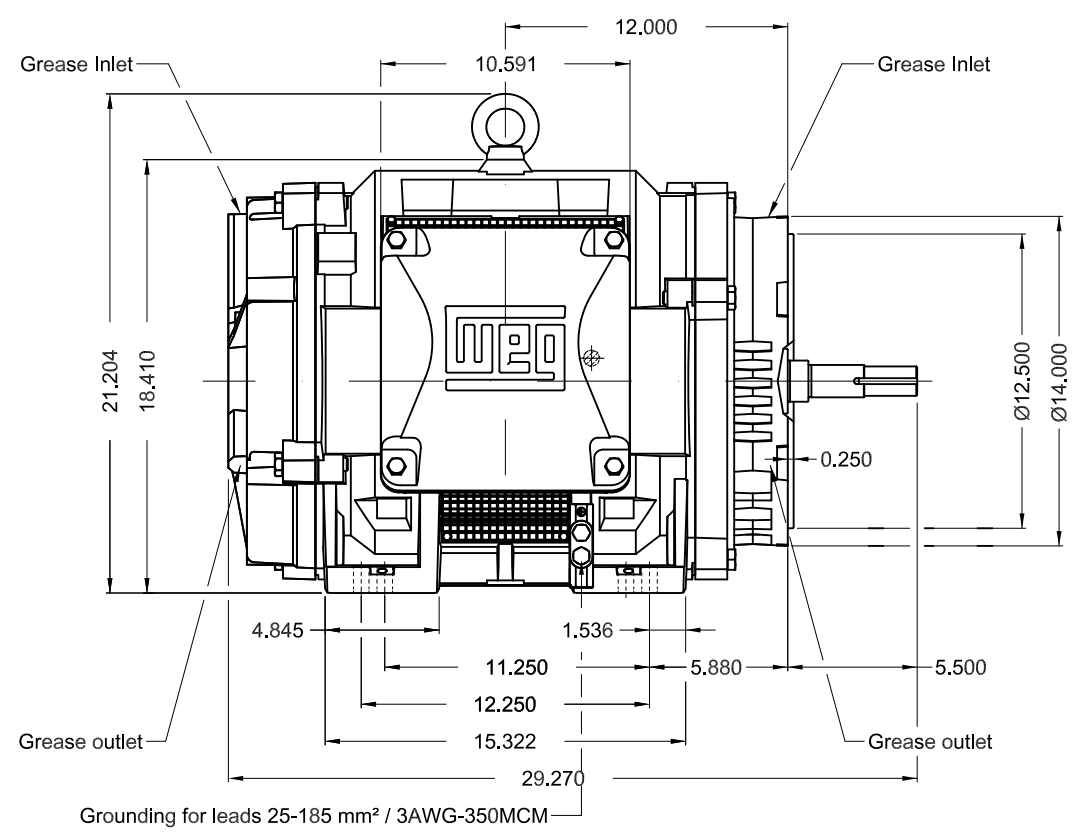
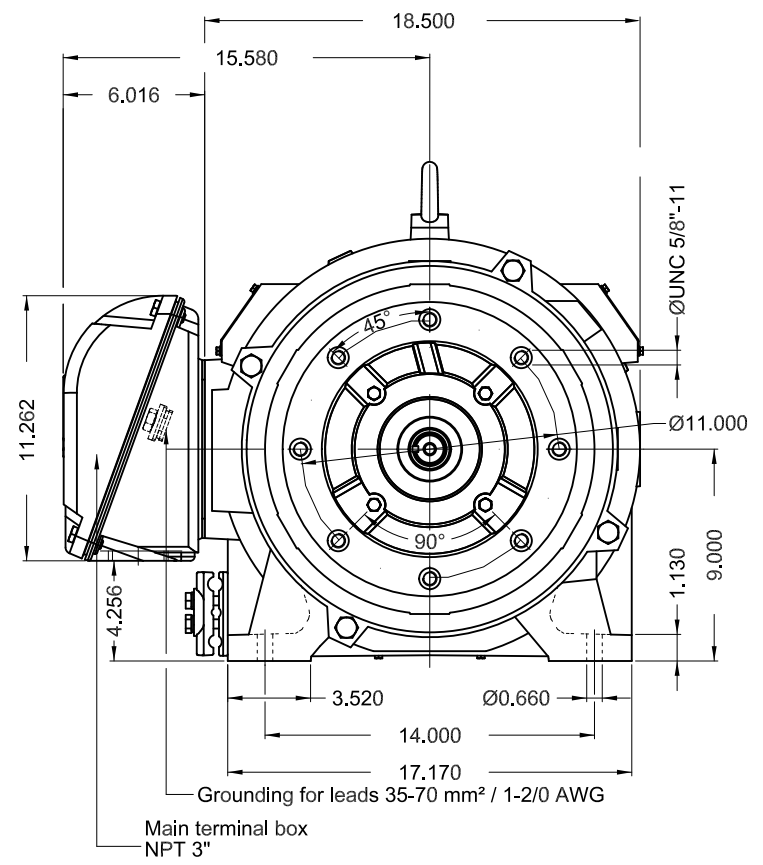


Performance : 460 V 60 Hz 4P	
Rated current : 69.9 A	Moment of inertia (J) : 15.6 sq.ft.lb
LRC : 6.5	Duty cycle : Cont.(S1)
Rated torque : 175 ft.lb	Insulation class : F
Locked rotor torque : 200 %	Service factor : 1.25
Breakdown torque : 240 %	Temperature rise : 80 K
Rated speed : 1780 rpm	Design : B

Rev.	Changes Summary	Performed	Checked	Date
Performed by			Page	Revision
Checked by			2 / 2	
Date	14/04/2019			

Dimensões em polegada
Dimensions in inches

THIS IS AN UPDATED REVISION, THE
PREVIOUS ONE MUST BE DISREGARDED.



Color RAL 5009						
Painting plan 203A						
Mounting B34R(D)						
					SCALE	1:8
ECM	LOC	SUMMARY OF MODIFICATIONS			EXECUTED	CHECKED
EXECUTED	USERADMIN	THREE PHASE W40 MOTOR NEMA PREMIUM EFF				
CHECKED		FRAME 364/5JM IP23 ODP				
RELEASED		CLOSE COUPLED PUMP JM TYPE W				
REL DT	14.04.2019	WMO	Jaragua do Sul	Product Engineering	SHEET	1 / 1

60 HP 04 Poles 60Hz

A

