

DATA SHEET



Three Phase Induction Motor - Squirrel Cage

Customer		: Dealers Industrial Equipment 800-469-3110				
Customer reference		: 06018OT3E364JM-W40				
Product line		: W40 JM Pump NEMA Premium Efficiency Three-Phase		Product code : 14267796		
				Catalog # : 06018OT3E364JM-W40		
Frame		: 364/5JM		Locked rotor time		
Output		: 60 HP (45 kW)		: 34s (cold) 19s (hot)		
Poles		: 4		Temperature rise		
Frequency		: 60 Hz		: 80 K		
Rated voltage		: 208-230/460 V		Duty cycle		
Rated current		: 155-140/69.9 A		: Cont.(S1)		
L. R. Amperes		: 1005-909/454 A		Ambient temperature		
LRC		: 6.5x(Code G)		: -20°C to +40°C		
No load current		: 42.6-49.4/24.7 A		Altitude		
Rated speed		: 1780 rpm		: 1000 m.a.s.l.		
Slip		: 1.11 %		Protection degree		
Rated torque		: 175 ft.lb		: IP23		
Locked rotor torque		: 200 %		Cooling method		
Breakdown torque		: 240 %		: IC01 - ODP		
Insulation class		: F		Mounting		
Service factor		: 1.25		: F-1		
Moment of inertia (J)		: 15.6 sq.ft.lb		Rotation ¹		
Design		: B		: Both (CW and CCW)		
				Noise level ²		
				: 69.0 dB(A)		
				Starting method		
				: Direct On Line		
				Approx. weight ³		
				: 767 lb		
Output		25%	50%	75%	100%	
Efficiency (%)		94.4	94.5	95.0	95.0	
Power Factor		0.48	0.73	0.82	0.85	
		Foundation loads				
		Max. traction : 1252 lb				
		Max. compression : 2020 lb				
		<u>Drive end</u>		<u>Non drive end</u>		
Bearing type		: 6314 C3		: 6212 Z C3		
Sealing		: Without Bearing Seal		: Without Bearing Seal		
Lubrication interval		: 20000 h		: 20000 h		
Lubricant amount		: 27 g		: 13 g		
Lubricant type		: Mobil Polyrex EM				
Notes downloaded from http://dealerselectric.com						
This revision replaces and cancel the previous one, which must be eliminated. (1) Looking the motor from the shaft end. (2) Measured at 1m and with tolerance of +3dB(A). (3) Approximate weight subject to changes after manufacturing process. (4) At 100% of full load.			These are average values based on tests with sinusoidal power supply, subject to the tolerances stipulated in NEMA MG-1.			
Rev.	Changes Summary			Performed	Checked	Date
Performed by						
Checked by					Page	Revision
Date	14/04/2019				1 / 2	

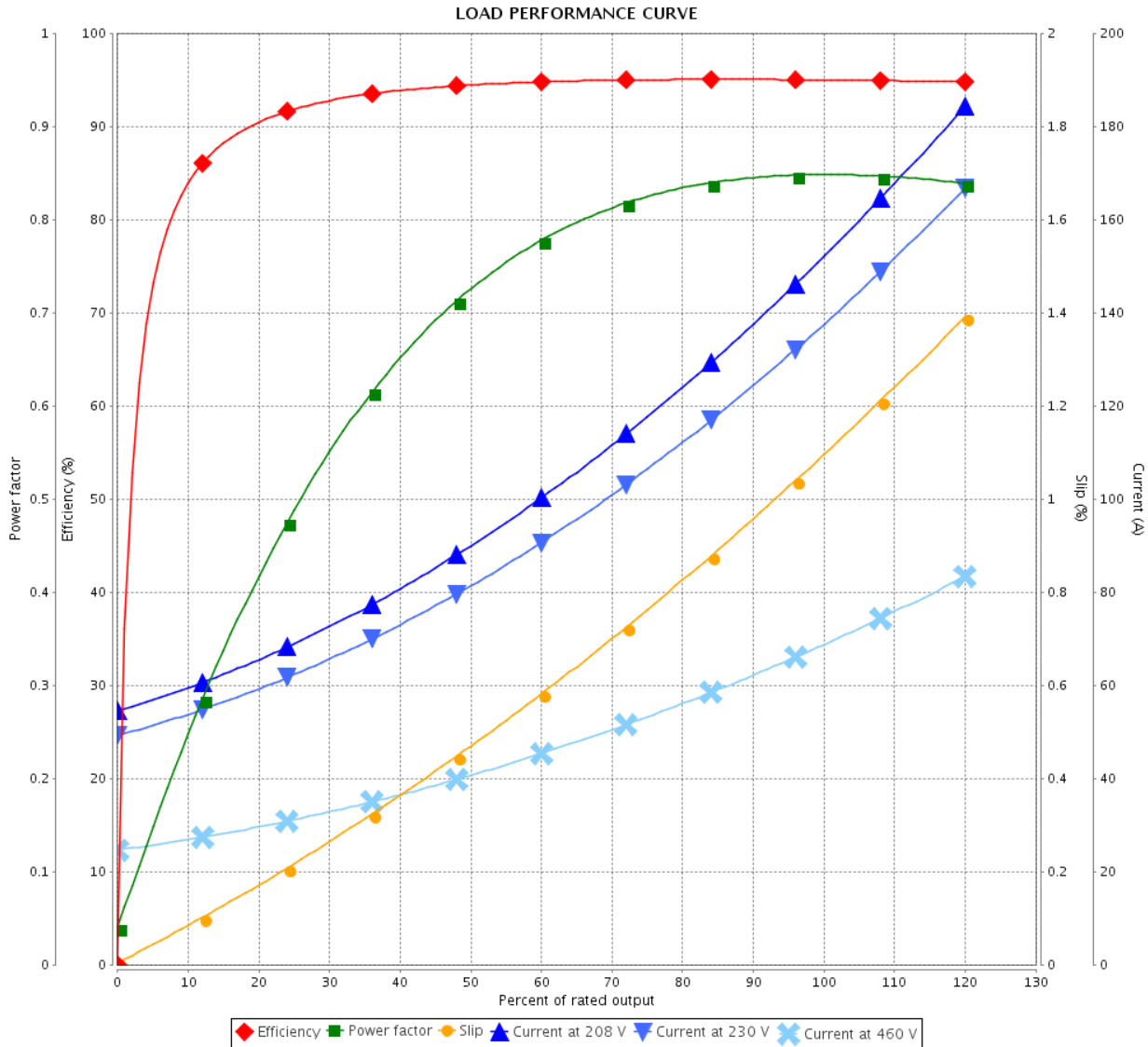
LOAD PERFORMANCE CURVE



Three Phase Induction Motor - Squirrel Cage

Customer : Dealers Industrial Equipment 800-469-3110
 Customer reference : 06018OT3E364JM-W40

Product line : W40 JM Pump NEMA Premium Efficiency Three-Phase Product code : 14267796
 Catalog # : 06018OT3E364JM-W40



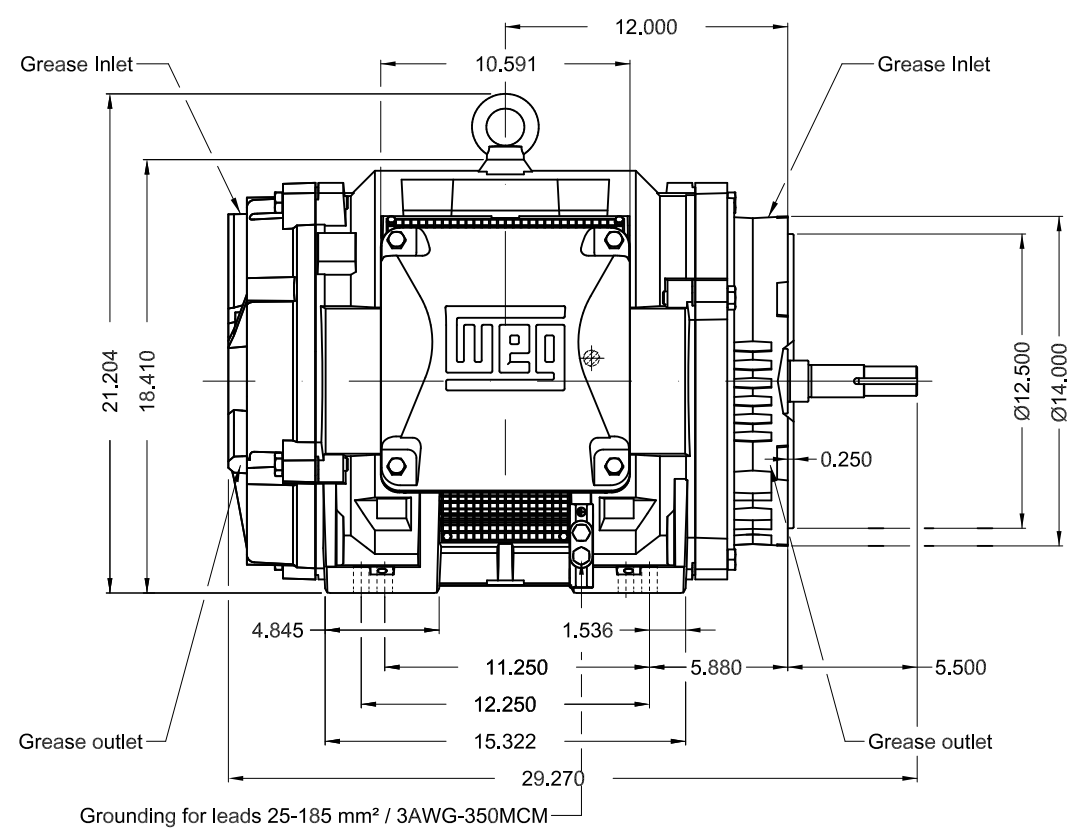
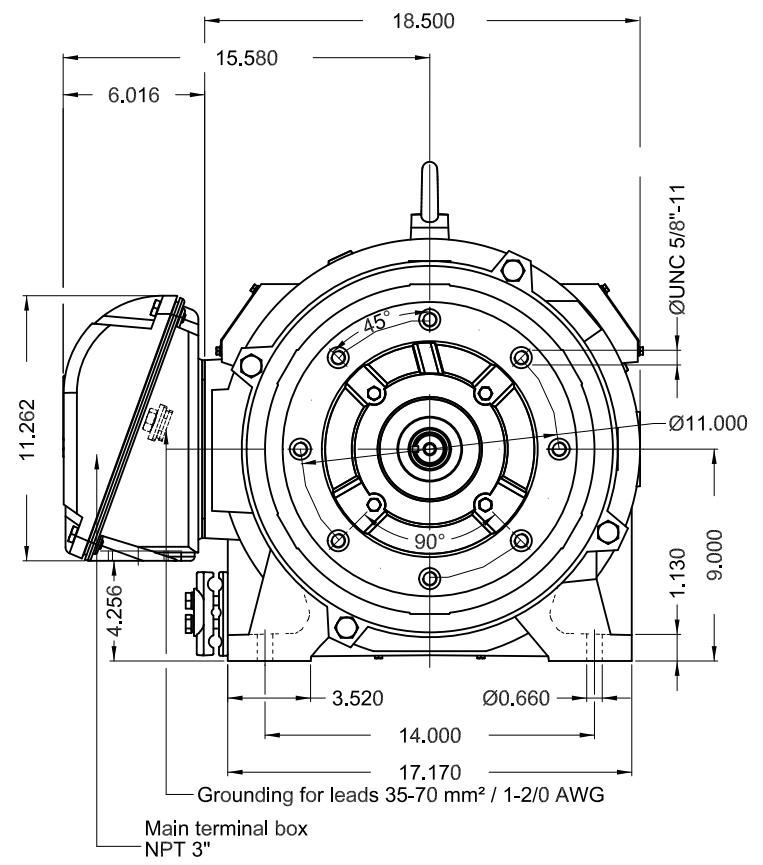
Performance : 208-230/460 V 60 Hz 4P

Rated current	: 155-140/69.9 A	Moment of inertia (J)	: 15.6 sq.ft.lb
LRC	: 6.5	Duty cycle	: Cont.(S1)
Rated torque	: 175 ft.lb	Insulation class	: F
Locked rotor torque	: 200 %	Service factor	: 1.25
Breakdown torque	: 240 %	Temperature rise	: 80 K
Rated speed	: 1780 rpm	Design	: B

Rev.	Changes Summary	Performed	Checked	Date
Performed by			Page 2 / 2	Revision
Checked by				
Date	14/04/2019			

Dimensões em polegada
Dimensions in inches

THIS IS AN UPDATED REVISION, THE
PREVIOUS ONE MUST BE DISREGARDED.



Color RAL 5009
Painting plan 203A
Mounting B34R(D)

					SCALE	1:8		
ECM	LOC	SUMMARY OF MODIFICATIONS		EXECUTED	CHECKED	RELEASED	DATE	VER
EXECUTED	USERADMIN	THREE PHASE W40 MOTOR NEMA PREMIUM EFF						
CHECKED		FRAME 364/5JM IP23 ODP						
RELEASED		CLOSE COUPLED PUMP JM TYPE W						
REL DT	14.04.2019	WMO	Jaragua do Sul	Product Engineering	SHEET	1 / 1		

60 HP 04 Poles 60Hz

A

