

DATA SHEET



Three Phase Induction Motor - Squirrel Cage

Customer	: Dealers Industrial Equipment 800-469-3110				
Customer reference	: 10036OT3E365JP-W40				
Product line	: W40 JP Pump NEMA Premium Efficiency Three-Phase		Product code :	14023475	
			Catalog # :	10036OT3E365JP-W40	
Frame	: 364/5JP		Locked rotor time	: 23s (cold) 13s (hot)	
Output	: 100 HP (75 kW)		Temperature rise	: 80 K	
Poles	: 2		Duty cycle	: Cont.(S1)	
Frequency	: 60 Hz		Ambient temperature	: -20°C to +40°C	
Rated voltage	: 208-230/460 V		Altitude	: 1000 m.a.s.l.	
Rated current	: 257-232/116 A		Protection degree	: IP23	
L. R. Amperes	: 1693-1531/766 A		Cooling method	: IC01 - ODP	
LRC	: 6.6x(Code G)		Mounting	: F-1	
No load current	: 50.9-59.0/29.5 A		Rotation ¹	: Both (CW and CCW)	
Rated speed	: 3555 rpm		Noise level ²	: 84.0 dB(A)	
Slip	: 1.25 %		Starting method	: Direct On Line	
Rated torque	: 146 ft.lb		Approx. weight ³	: 774 lb	
Locked rotor torque	: 180 %				
Breakdown torque	: 229 %				
Insulation class	: F				
Service factor	: 1.25				
Moment of inertia (J)	: 7.20 sq.ft.lb				
Design	: B				
Output	25%	50%	75%	100%	
Efficiency (%)	92.2	92.4	93.6	93.6	
Power Factor	0.55	0.77	0.84	0.87	
	Foundation loads				
				Max. traction : 1068 lb	
				Max. compression : 1843 lb	
			<u>Drive end</u>	<u>Non drive end</u>	
Bearing type	:	6314 C3	6212 Z C3		
Sealing	:	Without Bearing Seal	Without Bearing Seal		
Lubrication interval	:	14418 h	20000 h		
Lubricant amount	:	27 g	13 g		
Lubricant type	:	Mobil Polyrex EM			
Notes					
downloaded from http://dealerselectric.com					
This revision replaces and cancel the previous one, which must be eliminated. (1) Looking the motor from the shaft end. (2) Measured at 1m and with tolerance of +3dB(A). (3) Approximate weight subject to changes after manufacturing process. (4) At 100% of full load.			These are average values based on tests with sinusoidal power supply, subject to the tolerances stipulated in NEMA MG-1.		
Rev.	Changes Summary		Performed	Checked	Date
Performed by					
Checked by				Page	Revision
Date	15/04/2019			1 / 2	

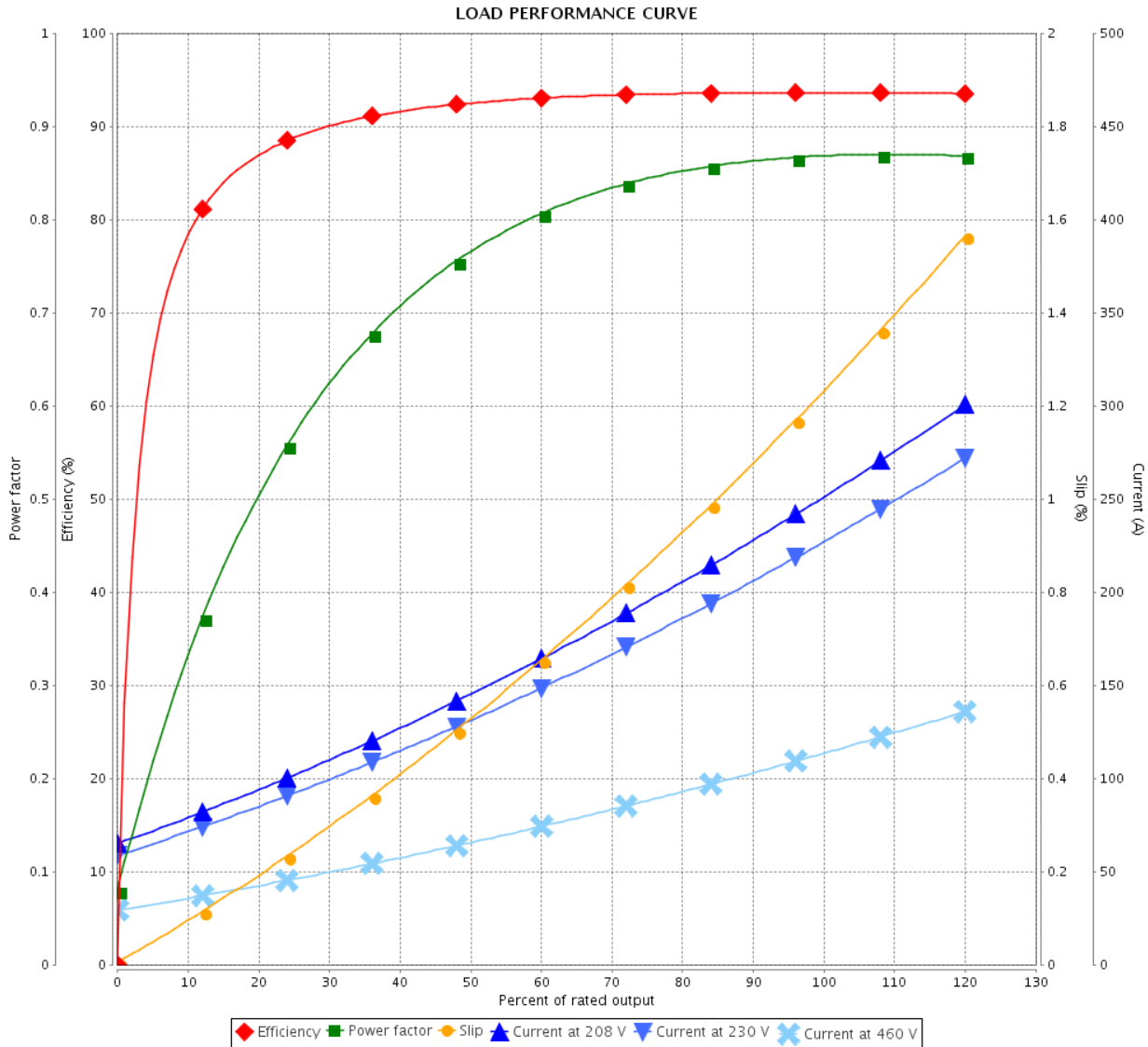
LOAD PERFORMANCE CURVE

Three Phase Induction Motor - Squirrel Cage



Customer : Dealers Industrial Equipment 800-469-3110
 Customer reference : 10036OT3E365JP-W40

Product line : W40 JP Pump NEMA Premium Efficiency Three-Phase Product code : 14023475
 Catalog # : 10036OT3E365JP-W40



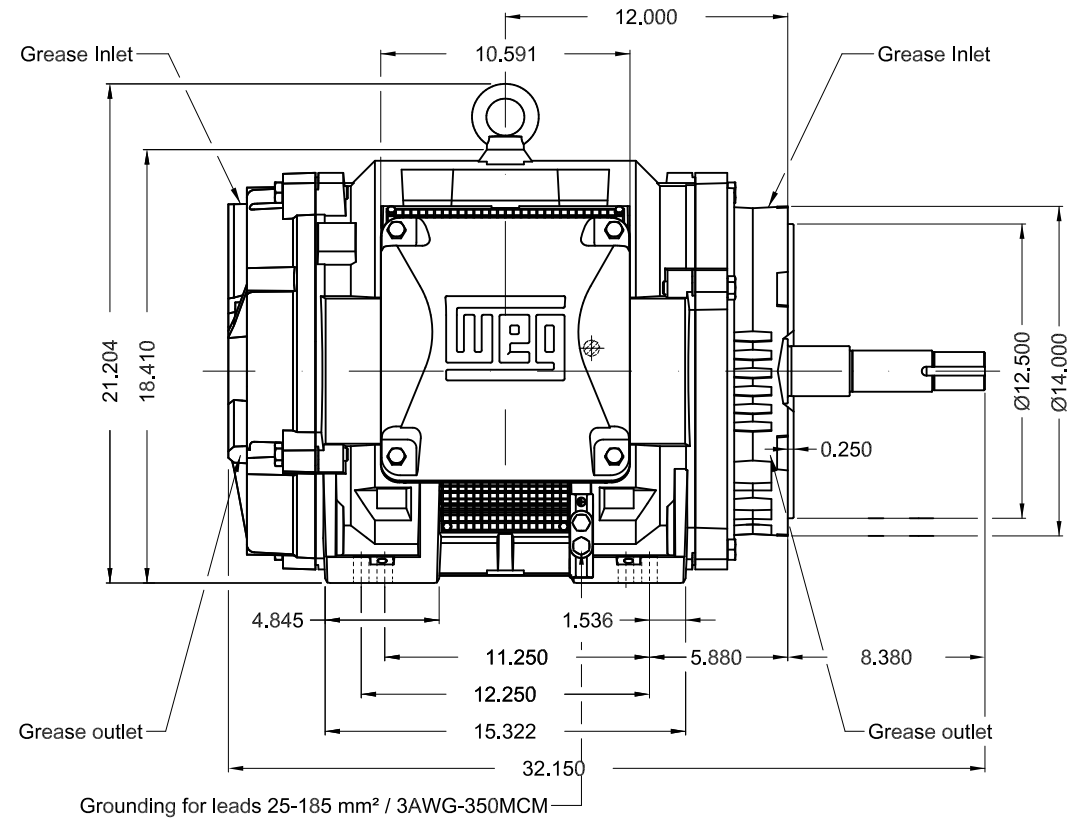
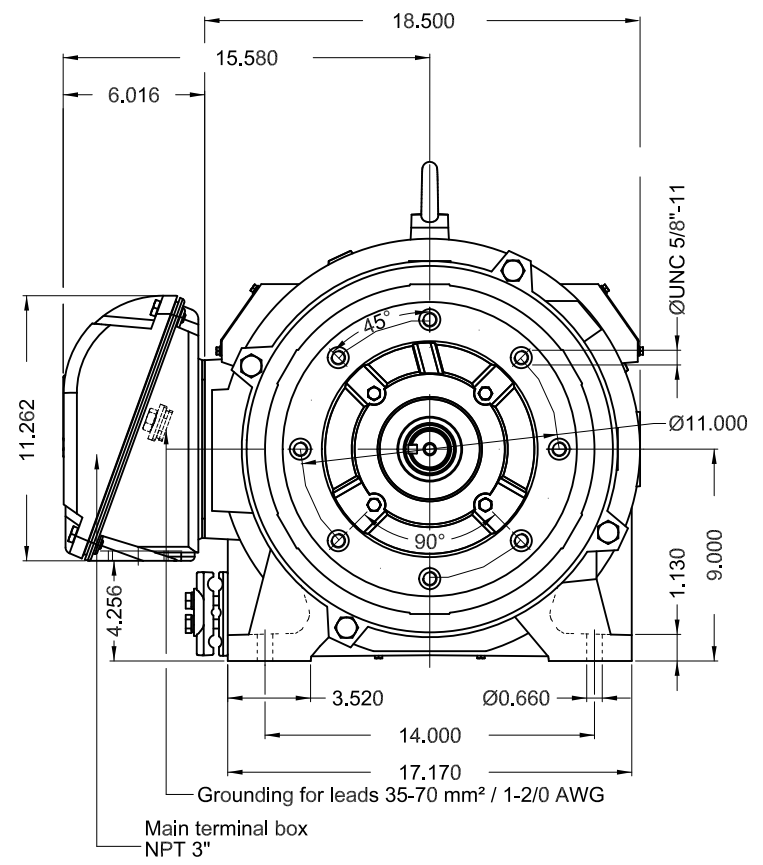
Performance : 208-230/460 V 60 Hz 2P

Rated current : 257-232/116 A	Moment of inertia (J) : 7.20 sq.ft.lb
LRC : 6.6	Duty cycle : Cont.(S1)
Rated torque : 146 ft.lb	Insulation class : F
Locked rotor torque : 180 %	Service factor : 1.25
Breakdown torque : 229 %	Temperature rise : 80 K
Rated speed : 3555 rpm	Design : B

Rev.	Changes Summary	Performed	Checked	Date
Performed by			Page	Revision
Checked by				
Date				

Dimensões em polegada
Dimensions in inches

THIS IS AN UPDATED REVISION, THE
PREVIOUS ONE MUST BE DISREGARDED.



Color RAL 5009						
Painting plan 203A						
Mounting B34R(D)						
					SCALE	1:8
ECM	LOC	SUMMARY OF MODIFICATIONS			EXECUTED	CHECKED
EXECUTED	USERADMIN	THREE PHASE W40 MOTOR NEMA PREMIUM EFF				
CHECKED		FRAME 364/5JP IP23 ODP				
RELEASED		CLOSE COUPLED PUMP JP TYPE W				
REL DT	15.04.2019	WMO	Jaragua do Sul	Product Engineering	SHEET	1 / 1

100 HP 02 Poles 60Hz

A

