

DATA SHEET



Three Phase Induction Motor - Squirrel Cage

Customer : Dealers Industrial Equipment 800-469-3110
 Customer reference : 10036OT3E365JM-W40

Product line : W40 JM Pump NEMA Premium Efficiency Three-Phase
 Product code : 14023474
 Catalog # : 10036OT3E365JM-W40

Frame : 364/5JM	Locked rotor time : 23s (cold) 13s (hot)
Output : 100 HP (75 kW)	Temperature rise : 80 K
Poles : 2	Duty cycle : Cont.(S1)
Frequency : 60 Hz	Ambient temperature : -20°C to +40°C
Rated voltage : 208-230/460 V	Altitude : 1000 m.a.s.l.
Rated current : 257-232/116 A	Protection degree : IP23
L. R. Amperes : 1693-1531/766 A	Cooling method : IC01 - ODP
LRC : 6.6x(Code G)	Mounting : F-1
No load current : 50.9-59.0/29.5 A	Rotation ¹ : Both (CW and CCW)
Rated speed : 3555 rpm	Noise level ² : 84.0 dB(A)
Slip : 1.25 %	Starting method : Direct On Line
Rated torque : 146 ft.lb	Approx. weight ³ : 774 lb
Locked rotor torque : 180 %	
Breakdown torque : 229 %	
Insulation class : F	
Service factor : 1.25	
Moment of inertia (J) : 7.20 sq.ft.lb	
Design : B	

Output	25%	50%	75%	100%	Foundation loads
Efficiency (%)	92.2	92.4	93.6	93.6	Max. traction : 1068 lb
Power Factor	0.55	0.77	0.84	0.87	Max. compression : 1843 lb

	<u>Drive end</u>	<u>Non drive end</u>
Bearing type :	6314 C3	6212 Z C3
Sealing :	Without Bearing Seal	Without Bearing Seal
Lubrication interval :	14418 h	20000 h
Lubricant amount :	27 g	13 g
Lubricant type :	Mobil Polyrex EM	

Notes
 downloaded from <http://dealerselectric.com>

This revision replaces and cancel the previous one, which must be eliminated.

- (1) Looking the motor from the shaft end.
- (2) Measured at 1m and with tolerance of +3dB(A).
- (3) Approximate weight subject to changes after manufacturing process.
- (4) At 100% of full load.

These are average values based on tests with sinusoidal power supply, subject to the tolerances stipulated in NEMA MG-1.

Rev.	Changes Summary	Performed	Checked	Date
Performed by				
Checked by				
Date	15/04/2019		Page 1 / 2	Revision

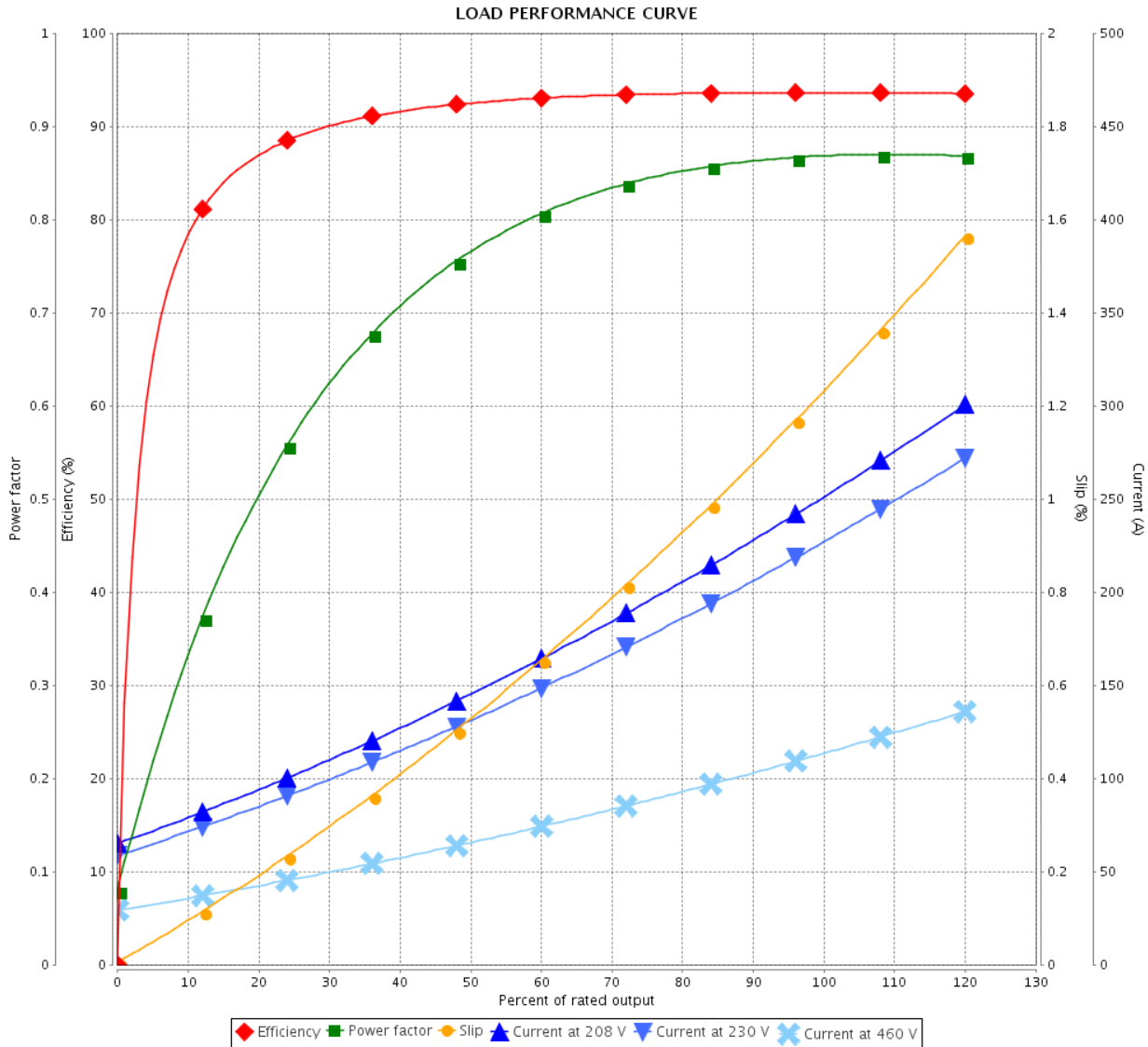
LOAD PERFORMANCE CURVE



Three Phase Induction Motor - Squirrel Cage

Customer : Dealers Industrial Equipment 800-469-3110
 Customer reference : 10036OT3E365JM-W40

Product line : W40 JM Pump NEMA Premium Efficiency Three-Phase Product code : 14023474
 Catalog # : 10036OT3E365JM-W40



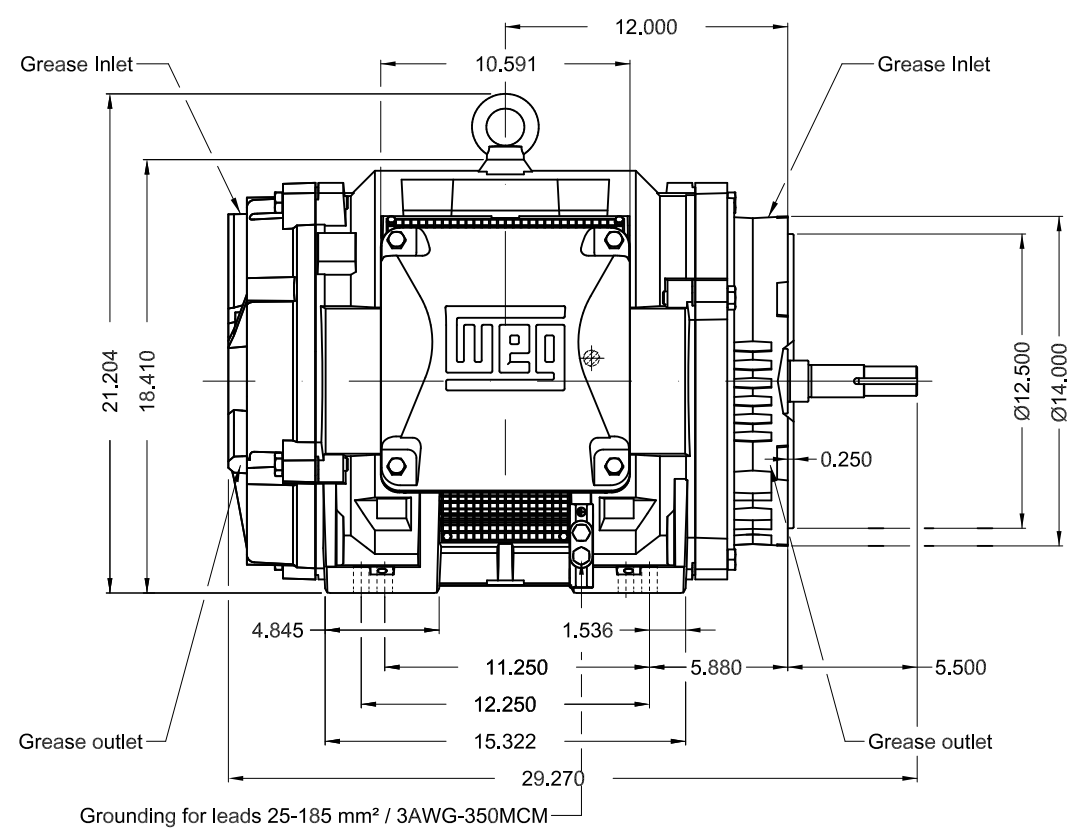
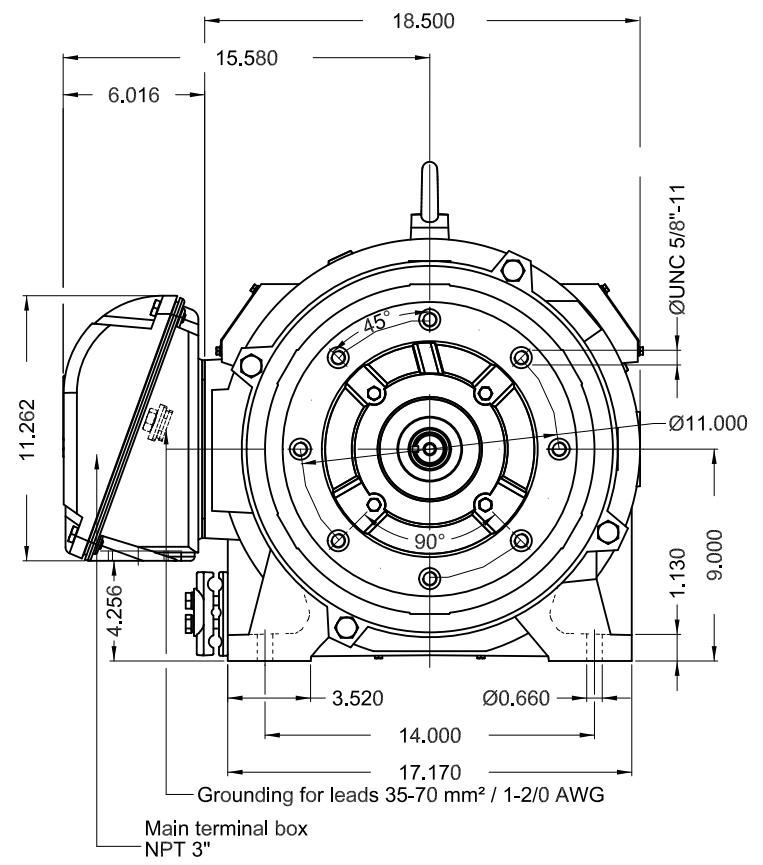
Performance : 208-230/460 V 60 Hz 2P

Rated current : 257-232/116 A	Moment of inertia (J) : 7.20 sq.ft.lb
LRC : 6.6	Duty cycle : Cont.(S1)
Rated torque : 146 ft.lb	Insulation class : F
Locked rotor torque : 180 %	Service factor : 1.25
Breakdown torque : 229 %	Temperature rise : 80 K
Rated speed : 3555 rpm	Design : B

Rev.	Changes Summary	Performed	Checked	Date
Performed by			Page 2 / 2	Revision
Checked by				
Date	15/04/2019			

Dimensões em polegada
Dimensions in inches

THIS IS AN UPDATED REVISION, THE
PREVIOUS ONE MUST BE DISREGARDED.



Color RAL 5009
Painting plan 203A
Mounting B34R(D)

					SCALE	1:8		
ECM	LOC	SUMMARY OF MODIFICATIONS		EXECUTED	CHECKED	RELEASED	DATE	VER
EXECUTED	USERADMIN	THREE PHASE W40 MOTOR NEMA PREMIUM EFF						
CHECKED		FRAME 364/5JM IP23 ODP						
RELEASED		CLOSE COUPLED PUMP JM TYPE W						
REL DT	15.04.2019	WMO	Jaragua do Sul	Product Engineering	SHEET	1 / 1		

100 HP 02 Poles 60Hz

A

