

DATA SHEET



Three Phase Induction Motor - Squirrel Cage

Customer		: Dealers Industrial Equipment 800-469-3110			
Customer reference		: 25036OT3G445TS-W40			
Product line		: W40 NEMA Premium Efficiency Three-Phase		Product code : 14018042	
				Catalog # : 25036OT3G445TS-W40	
Frame		: 444/5TS		Locked rotor time	
Output		: 250 HP (185 kW)		: 28s (cold) 16s (hot)	
Poles		: 2		Temperature rise	
Frequency		: 60 Hz		: 80 K	
Rated voltage		: 460 V		Duty cycle	
Rated current		: 278 A		: Cont.(S1)	
L. R. Amperes		: 1863 A		Ambient temperature	
LRC		: 6.7x(Code G)		: -20°C to +40°C	
No load current		: 72.0 A		Altitude	
Rated speed		: 3570 rpm		: 1000 m.a.s.l.	
Slip		: 0.83 %		Protection degree	
Rated torque		: 363 ft.lb		: IP23	
Locked rotor torque		: 150 %		Cooling method	
Breakdown torque		: 229 %		: IC01 - ODP	
Insulation class		: F		Mounting	
Service factor		: 1.15		: F-1	
Moment of inertia (J)		: 26.9 sq.ft.lb		Rotation ¹	
Design		: B		: Both (CW and CCW)	
Noise level ²		: 85.0 dB(A)		Starting method	
Approx. weight ³		: 1383 lb		: Direct On Line	
Output		25%	50%	75%	100%
Efficiency (%)		93.0	93.6	94.5	95.0
Power Factor		0.56	0.79	0.85	0.88
Foundation loads					
Max. traction		: 1901 lb			
Max. compression		: 3284 lb			
Bearing type		: <u>Drive end</u> 6314 C3		: <u>Non drive end</u> 6212 Z C3	
Sealing		: Without Bearing Seal		: Without Bearing Seal	
Lubrication interval		: 14418 h		: 20000 h	
Lubricant amount		: 27 g		: 13 g	
Lubricant type		: Mobil Polyrex EM			
Notes downloaded from http://dealerselectric.com					
This revision replaces and cancel the previous one, which must be eliminated. (1) Looking the motor from the shaft end. (2) Measured at 1m and with tolerance of +3dB(A). (3) Approximate weight subject to changes after manufacturing process. (4) At 100% of full load.			These are average values based on tests with sinusoidal power supply, subject to the tolerances stipulated in NEMA MG-1.		
Rev.	Changes Summary			Performed	Checked
Performed by				Page	Revision
Checked by					
Date	16/04/2019				
				1 / 2	

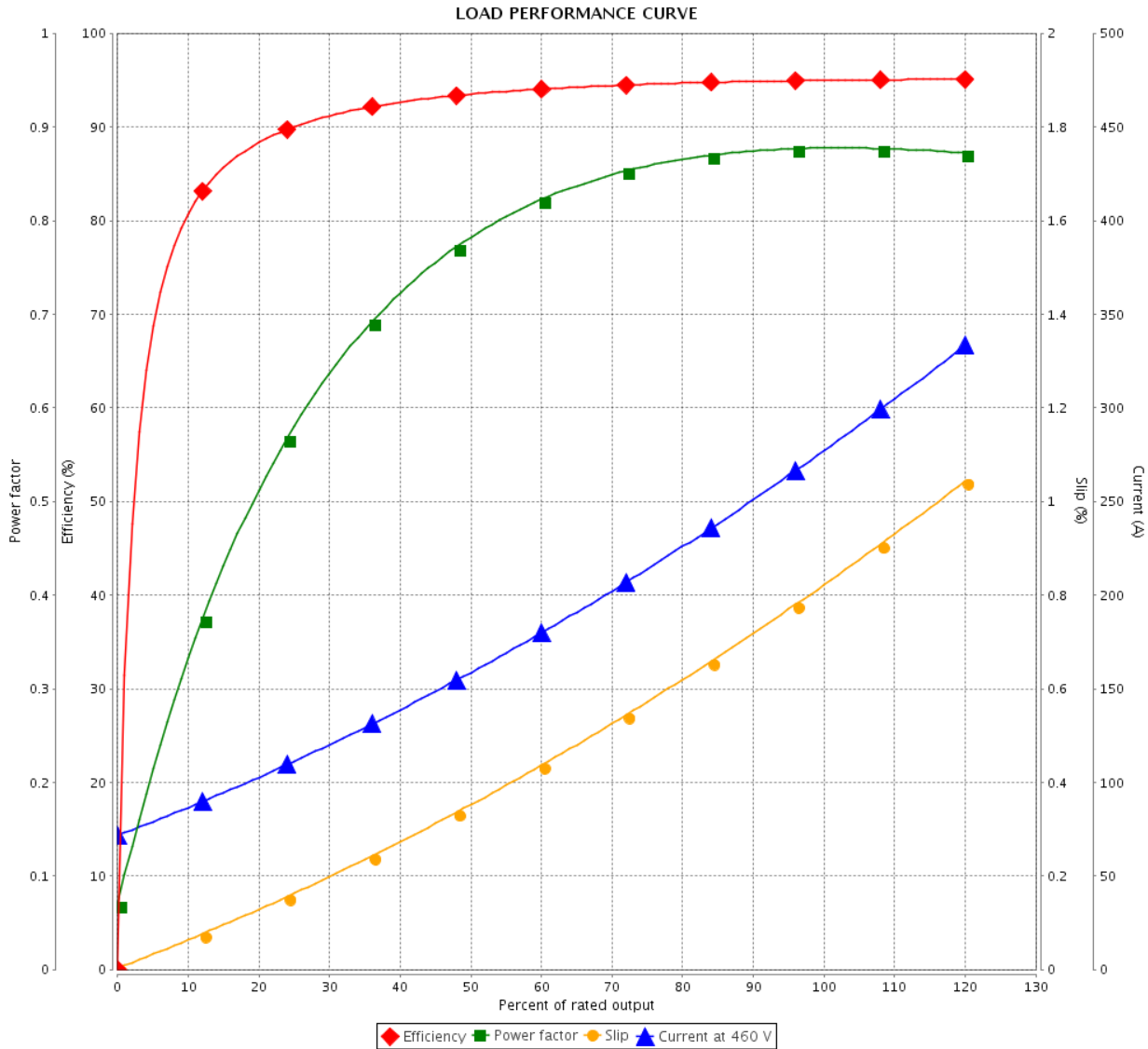
LOAD PERFORMANCE CURVE



Three Phase Induction Motor - Squirrel Cage

Customer : Dealers Industrial Equipment 800-469-3110
 Customer reference : 25036OT3G445TS-W40

Product line : W40 NEMA Premium Efficiency Three-Phase Product code : 14018042
 Catalog # : 25036OT3G445TS-W40



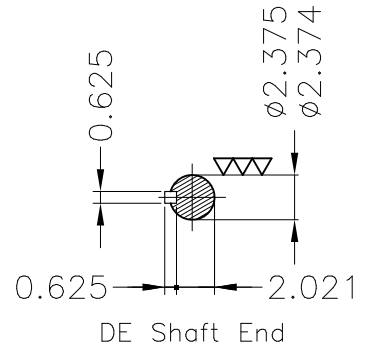
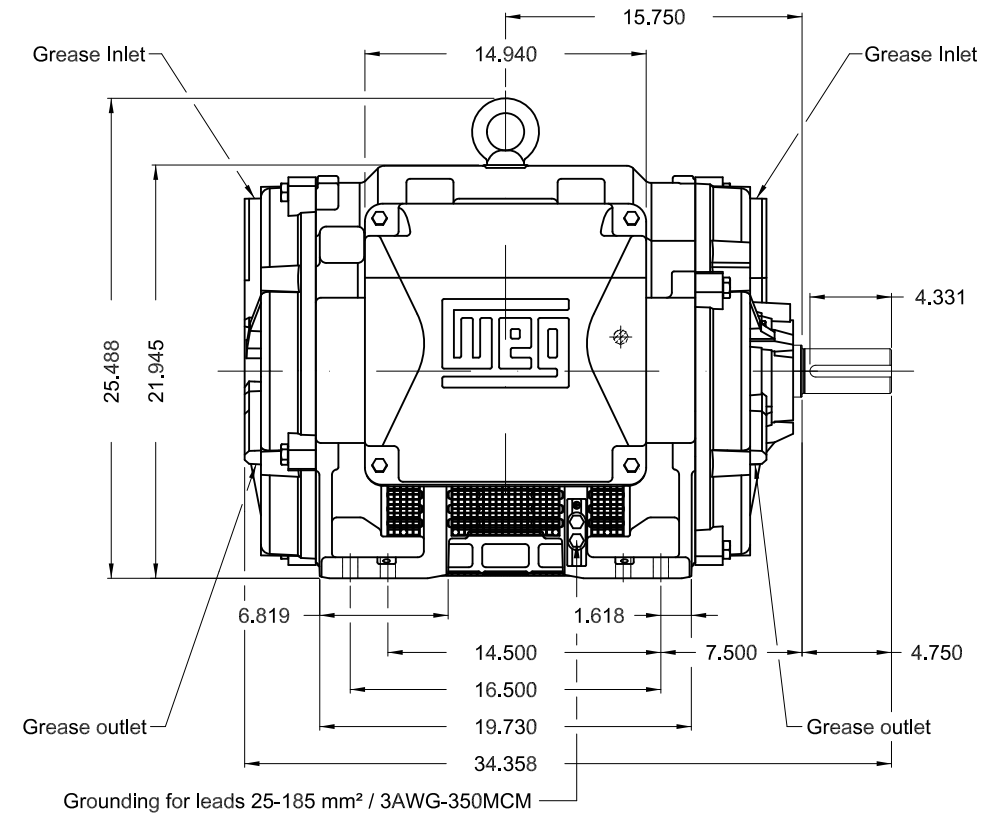
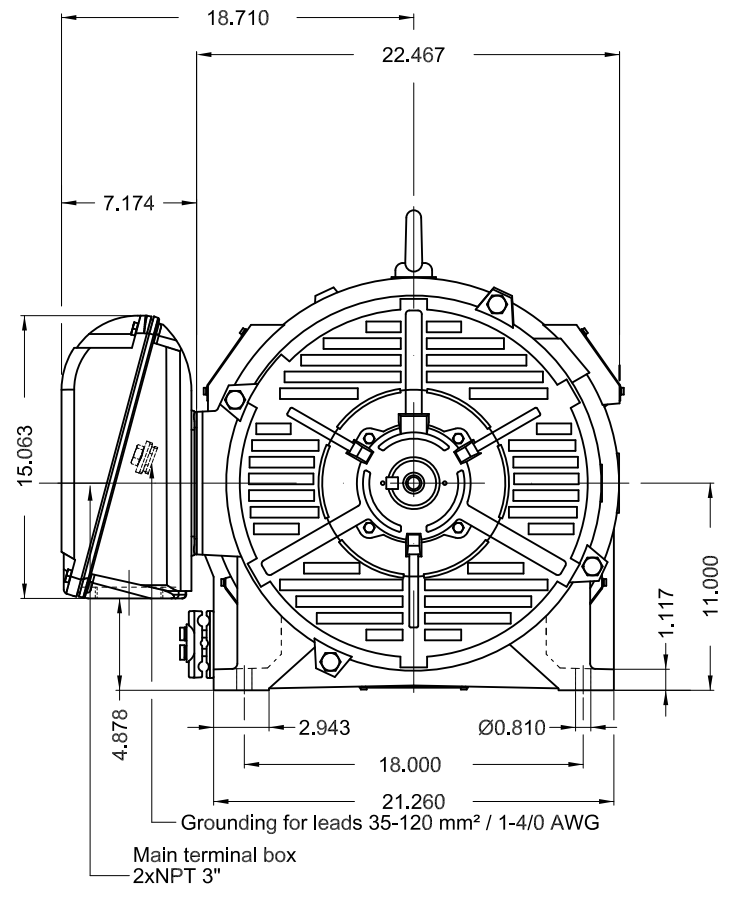
Performance : 460 V 60 Hz 2P

Rated current : 278 A	Moment of inertia (J) : 26.9 sq.ft.lb
LRC : 6.7	Duty cycle : Cont.(S1)
Rated torque : 363 ft.lb	Insulation class : F
Locked rotor torque : 150 %	Service factor : 1.15
Breakdown torque : 229 %	Temperature rise : 80 K
Rated speed : 3570 rpm	Design : B

Rev.	Changes Summary	Performed	Checked	Date
Performed by			Page 2 / 2	Revision
Checked by				
Date	16/04/2019			

Dimensões em polegada
Dimensions in inches

THIS IS AN UPDATED REVISION, THE
PREVIOUS ONE MUST BE DISREGARDED.



Color RAL 5009									
Painting plan 203A									
Mounting B3R(D)									
					SCALE	1:10			
ECM	LOC	SUMMARY OF MODIFICATIONS			EXECUTED	CHECKED	RELEASED	DATE	VER
EXECUTED	USERADMIN	THREE PHASE W40 MOTOR NEMA PREMIUM EFF							
CHECKED		FRAME 444/5TS IP23 ODP							
RELEASED		WEG code: 14018042							
REL DT	16.04.2019	WMO	Jaragua do Sul	Product Engineering	SHEET	1 / 1			

250 HP 02 Poles 60Hz

A

