



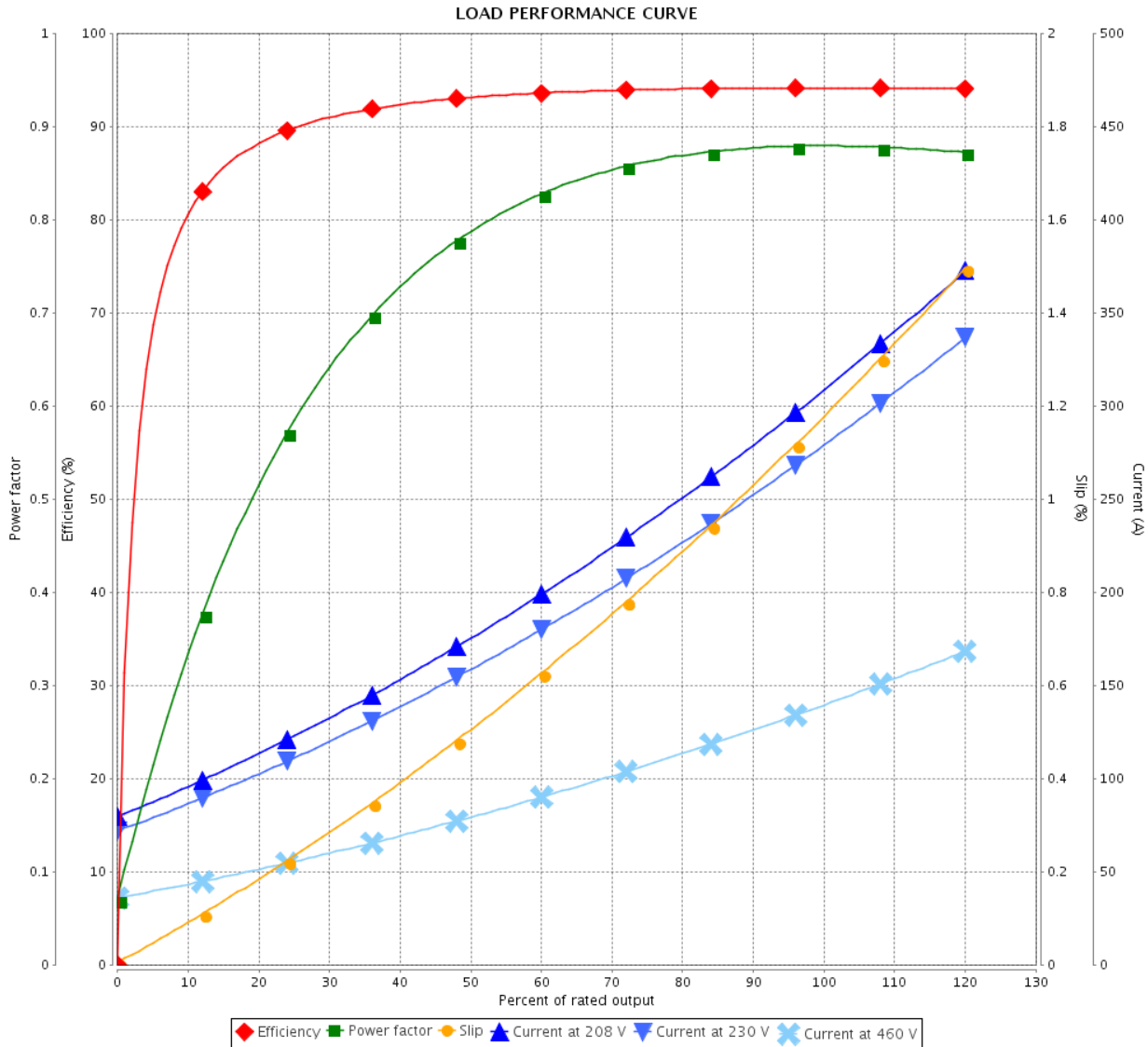
# LOAD PERFORMANCE CURVE



## Three Phase Induction Motor - Squirrel Cage

Customer : Dealers Industrial Equipment 800-469-3110  
 Customer reference : 12536OT3E404TS-W40

Product line : W40 NEMA Premium Efficiency Three-Phase      Product code : 14011072  
 Catalog # : 12536OT3E404TS-W40



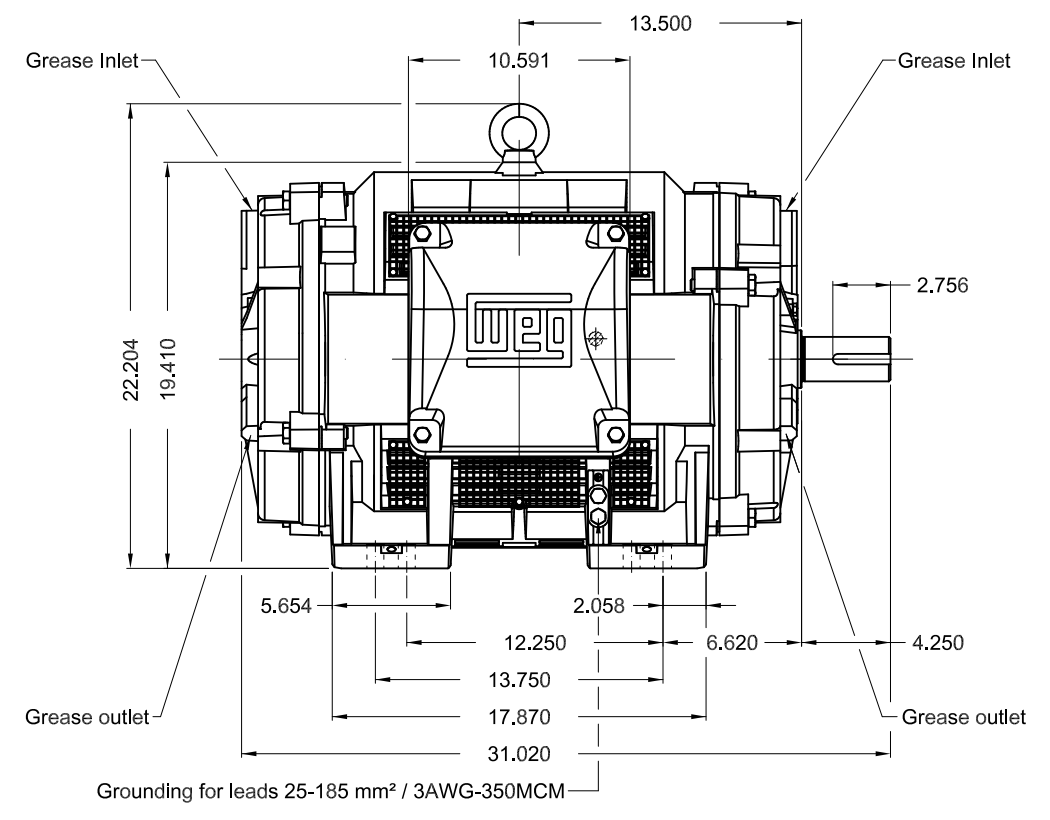
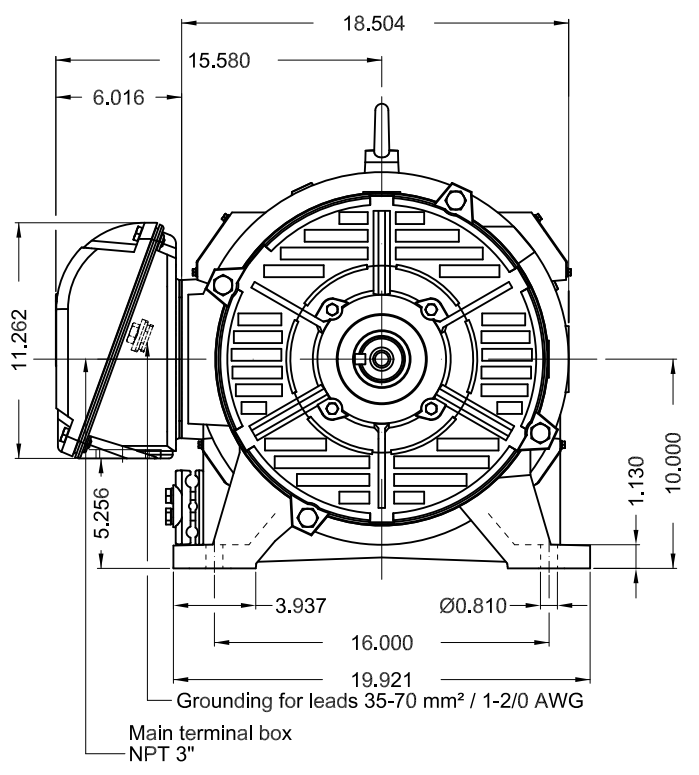
Performance : 208-230/460 V 60 Hz 2P

Rated current : 301-272/136 A	Moment of inertia (J) : 8.23 sq.ft.lb
LRC : 6.8	Duty cycle : Cont.(S1)
Rated torque : 182 ft.lb	Insulation class : F
Locked rotor torque : 170 %	Service factor : 1.25
Breakdown torque : 260 %	Temperature rise : 80 K
Rated speed : 3557 rpm	Design : B

Rev.	Changes Summary	Performed	Checked	Date
Performed by			Page 2 / 2	Revision
Checked by				
Date	15/04/2019			

Dimensões em polegada  
Dimensions in inches

THIS IS AN UPDATED REVISION, THE  
PREVIOUS ONE MUST BE DISREGARDED.



Color RAL 5009						
Painting plan 203A						
Mounting B3R(D)						
					SCALE	1:9
ECM	LOC	SUMMARY OF MODIFICATIONS			EXECUTED	CHECKED
EXECUTED	USERADMIN	THREE PHASE W40 MOTOR NEMA PREMIUM EFF				
CHECKED		FRAME 404/5TS IP23 ODP				
RELEASED		WEG code: 14011072				
REL DT	15.04.2019	WMO	Jaragua do Sul	Product Engineering	SHEET	1 / 1

125 HP 02 Poles 60Hz

A

