

# DATA SHEET



## Three Phase Induction Motor - Squirrel Cage

Customer : Dealers Industrial Equipment 800-469-3110  
 Customer reference : 07536OT3E364TS-W40

Product line : W40 NEMA Premium Efficiency Three-Phase      Product code : 14010960  
 Catalog # : 07536OT3E364TS-W40

Frame	: 364/5TS	Locked rotor time	: 34s (cold) 19s (hot)
Output	: 75 HP (55 kW)	Temperature rise	: 80 K
Poles	: 2	Duty cycle	: Cont.(S1)
Frequency	: 60 Hz	Ambient temperature	: -20°C to +40°C
Rated voltage	: 208-230/460 V	Altitude	: 1000 m.a.s.l.
Rated current	: 188-170/84.8 A	Protection degree	: IP23
L. R. Amperes	: 1238-1119/560 A	Cooling method	: IC01 - ODP
LRC	: 6.6x(Code G)	Mounting	: F-1
No load current	: 37.1-43.0/21.5 A	Rotation <sup>1</sup>	: Both (CW and CCW)
Rated speed	: 3560 rpm	Noise level <sup>2</sup>	: 84.0 dB(A)
Slip	: 1.11 %	Starting method	: Direct On Line
Rated torque	: 109 ft.lb	Approx. weight <sup>3</sup>	: 715 lb
Locked rotor torque	: 200 %		
Breakdown torque	: 250 %		
Insulation class	: F		
Service factor	: 1.25		
Moment of inertia (J)	: 6.40 sq.ft.lb		
Design	: B		

Output	25%	50%	75%	100%	Foundation loads	
Efficiency (%)	91.0	91.7	93.0	93.6	Max. traction	: 662 lb
Power Factor	0.56	0.77	0.84	0.87	Max. compression	: 1377 lb

		<u>Drive end</u>	<u>Non drive end</u>
Bearing type	:	6314 C3	6212 Z C3
Sealing	:	Without Bearing Seal	Without Bearing Seal
Lubrication interval	:	14418 h	20000 h
Lubricant amount	:	27 g	13 g
Lubricant type	:	Mobil Polyrex EM	

Notes  
 downloaded from <http://dealerselectric.com>

This revision replaces and cancel the previous one, which must be eliminated.  
 (1) Looking the motor from the shaft end.  
 (2) Measured at 1m and with tolerance of +3dB(A).  
 (3) Approximate weight subject to changes after manufacturing process.  
 (4) At 100% of full load.

These are average values based on tests with sinusoidal power supply, subject to the tolerances stipulated in NEMA MG-1.

Rev.	Changes Summary	Performed	Checked	Date
Performed by				
Checked by			Page	Revision
Date	14/04/2019		1 / 2	

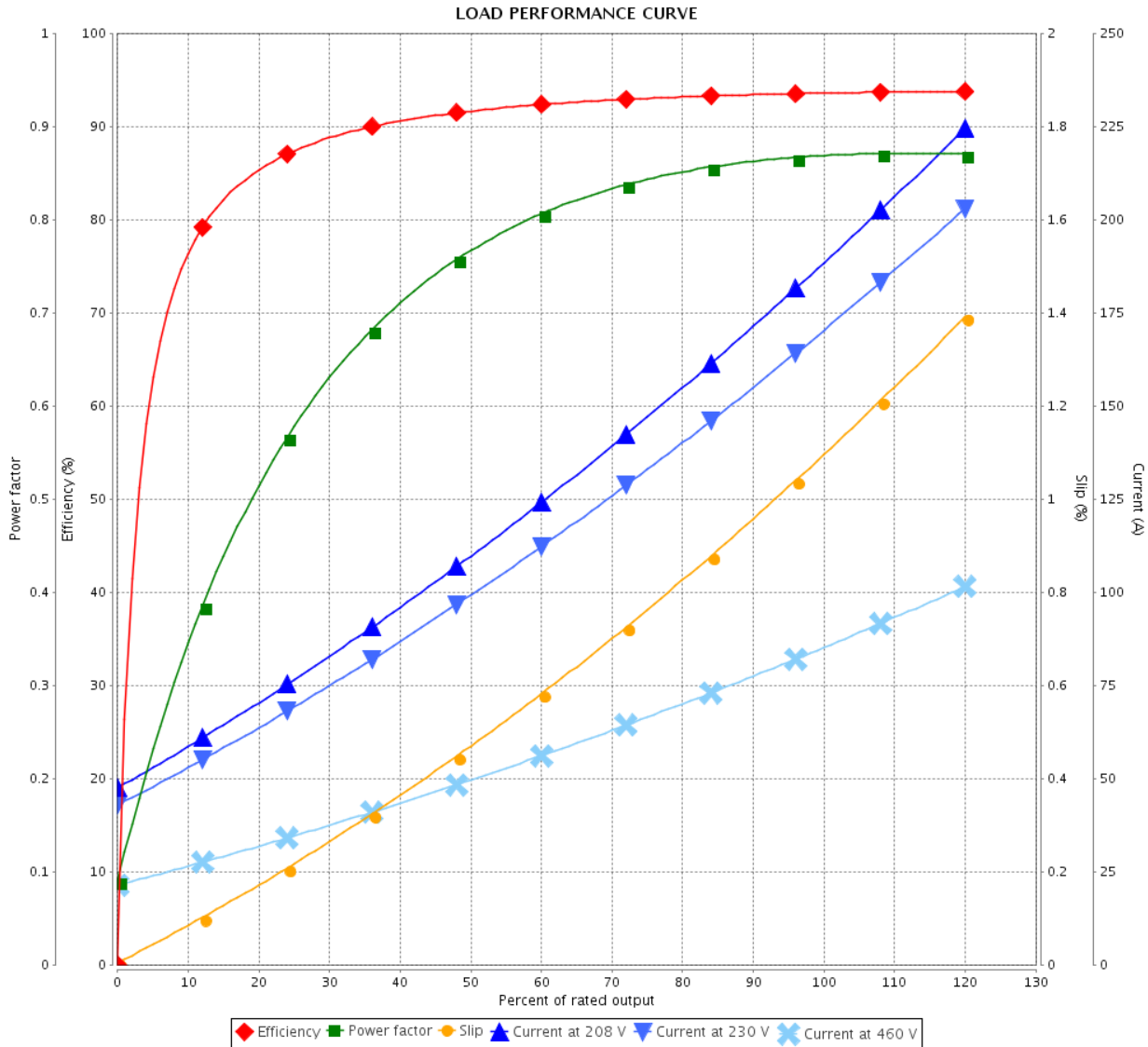
# LOAD PERFORMANCE CURVE



## Three Phase Induction Motor - Squirrel Cage

Customer : Dealers Industrial Equipment 800-469-3110  
 Customer reference : 07536OT3E364TS-W40

Product line : W40 NEMA Premium Efficiency Three-Phase      Product code : 14010960  
 Catalog # : 07536OT3E364TS-W40



Performance : 208-230/460 V 60 Hz 2P

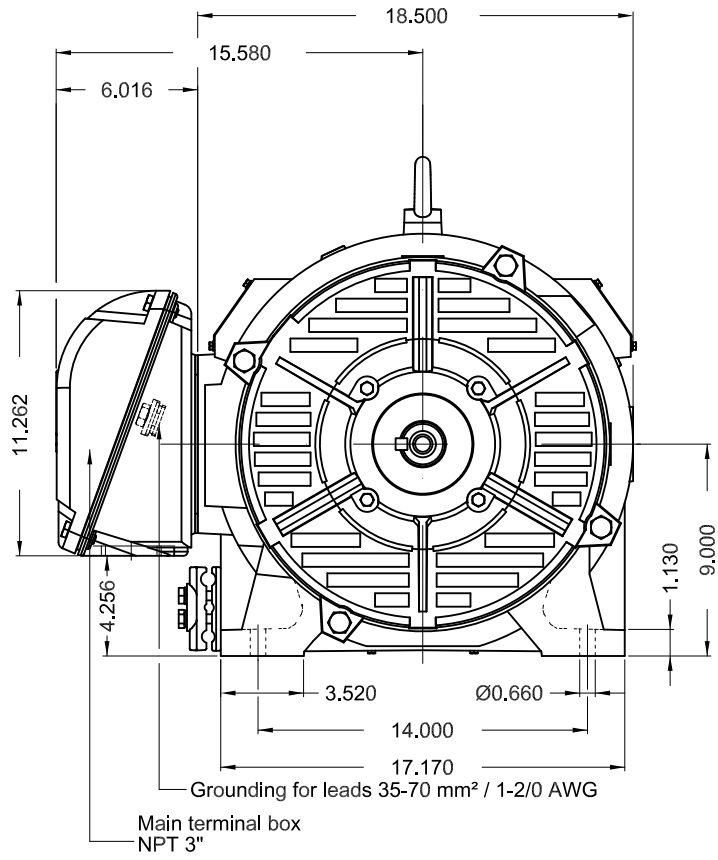
Rated current : 188-170/84.8 A	Moment of inertia (J) : 6.40 sq.ft.lb
LRC : 6.6	Duty cycle : Cont.(S1)
Rated torque : 109 ft.lb	Insulation class : F
Locked rotor torque : 200 %	Service factor : 1.25
Breakdown torque : 250 %	Temperature rise : 80 K
Rated speed : 3560 rpm	Design : B

Rev.	Changes Summary	Performed	Checked	Date
Performed by			Page	Revision
Checked by				
Date				

Dimensões em polegada  
Dimensions in inches

THIS IS AN UPDATED REVISION, THE  
PREVIOUS ONE MUST BE DISREGARDED.

A

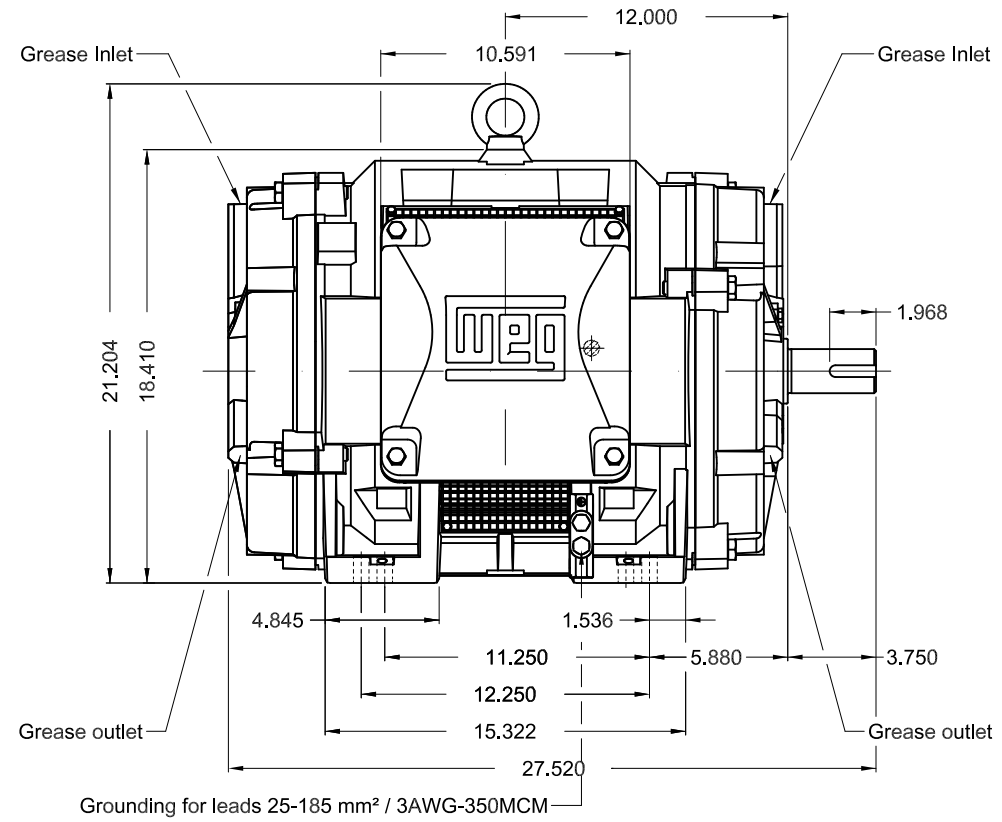


B


C

D

E



Color RAL 5009  
Painting plan 203A  
Mounting B3R(D)

			SCALE				1:8		
ECM	LOC	SUMMARY OF MODIFICATIONS			EXECUTED	CHECKED	RELEASED	DATE	VER
EXECUTED	USERADMIN		THREE PHASE W40 MOTOR NEMA PREMIUM EFF						
CHECKED			FRAME 364/5TS IP23 ODP						
RELEASED			WEG code: 14010960						
REL DT	14.04.2019	WMO	Jaragua do Sul	Product Engineering	SHEET		1 / 1		

75 HP 02 Poles 60Hz

A

