

DATA SHEET



Three Phase Induction Motor - Squirrel Cage

Customer	: Dealers Industrial Equipment 800-469-3110				
Customer reference	: 07518OT3E365T-W40				
Product line	: W40 NEMA Premium Efficiency Three-Phase		Product code :	14010959	
			Catalog # :	07518OT3E365T-W40	
Frame	: 364/5T		Locked rotor time	: 25s (cold) 14s (hot)	
Output	: 75 HP (55 kW)		Temperature rise	: 80 K	
Poles	: 4		Duty cycle	: Cont.(S1)	
Frequency	: 60 Hz		Ambient temperature	: -20°C to +40°C	
Rated voltage	: 208-230/460 V		Altitude	: 1000 m.a.s.l.	
Rated current	: 189-171/85.5 A		Protection degree	: IP23	
L. R. Amperes	: 1286-1163/581 A		Cooling method	: IC01 - ODP	
LRC	: 6.8x(Code G)		Mounting	: F-1	
No load current	: 52.6-61.0/30.5 A		Rotation ¹	: Both (CW and CCW)	
Rated speed	: 1780 rpm		Noise level ²	: 69.0 dB(A)	
Slip	: 1.11 %		Starting method	: Direct On Line	
Rated torque	: 218 ft.lb		Approx. weight ³	: 771 lb	
Locked rotor torque	: 220 %				
Breakdown torque	: 260 %				
Insulation class	: F				
Service factor	: 1.25				
Moment of inertia (J)	: 16.8 sq.ft.lb				
Design	: B				
Output	25%	50%	75%	100%	
Efficiency (%)	94.4	94.5	95.0	95.0	
Power Factor	0.48	0.73	0.82	0.85	
	Foundation loads				
	Max. traction : 1652 lb				
	Max. compression : 2423 lb				
	<u>Drive end</u>		<u>Non drive end</u>		
Bearing type	: 6314 C3		: 6212 Z C3		
Sealing	: Without Bearing Seal		: Without Bearing Seal		
Lubrication interval	: 20000 h		: 20000 h		
Lubricant amount	: 27 g		: 13 g		
Lubricant type	: Mobil Polyrex EM				
Notes downloaded from http://dealerselectric.com					
This revision replaces and cancel the previous one, which must be eliminated. (1) Looking the motor from the shaft end. (2) Measured at 1m and with tolerance of +3dB(A). (3) Approximate weight subject to changes after manufacturing process. (4) At 100% of full load.			These are average values based on tests with sinusoidal power supply, subject to the tolerances stipulated in NEMA MG-1.		
Rev.	Changes Summary		Performed	Checked	Date
Performed by					
Checked by				Page	Revision
Date	14/04/2019			1 / 2	

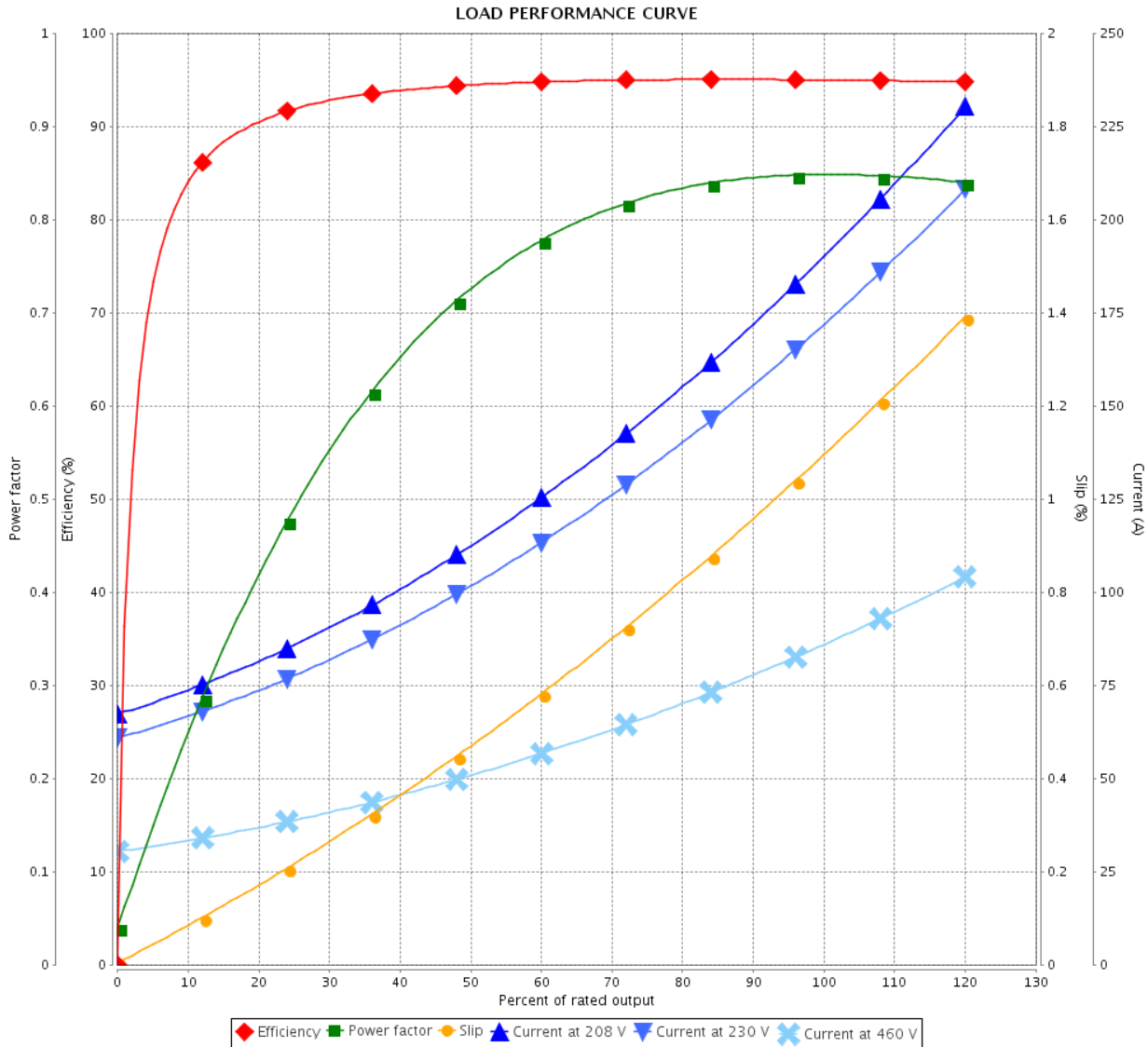
LOAD PERFORMANCE CURVE



Three Phase Induction Motor - Squirrel Cage

Customer : Dealers Industrial Equipment 800-469-3110
 Customer reference : 07518OT3E365T-W40

Product line : W40 NEMA Premium Efficiency Three-Phase Product code : 14010959
 Catalog # : 07518OT3E365T-W40



Performance : 208-230/460 V 60 Hz 4P

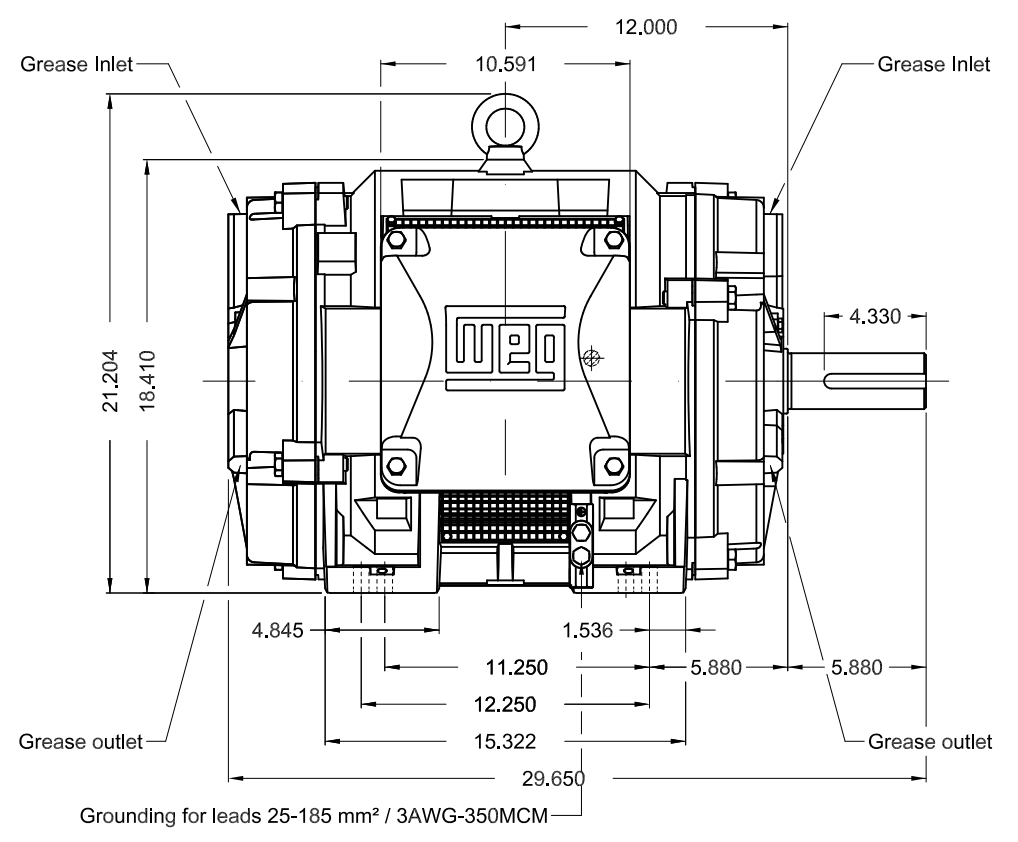
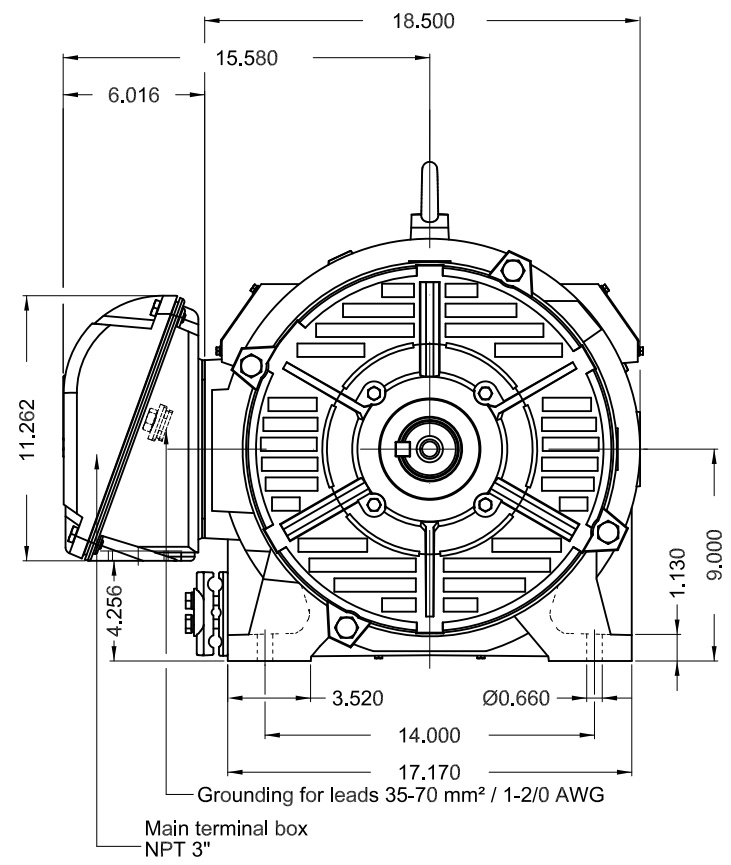
Rated current : 189-171/85.5 A	Moment of inertia (J) : 16.8 sq.ft.lb
LRC : 6.8	Duty cycle : Cont.(S1)
Rated torque : 218 ft.lb	Insulation class : F
Locked rotor torque : 220 %	Service factor : 1.25
Breakdown torque : 260 %	Temperature rise : 80 K
Rated speed : 1780 rpm	Design : B

Rev.	Changes Summary	Performed	Checked	Date
Performed by			Page 2 / 2	Revision
Checked by				
Date	14/04/2019			

Dimensões em polegada
Dimensions in inches

THIS IS AN UPDATED REVISION, THE
PREVIOUS ONE MUST BE DISREGARDED.

A
B
C
D
E



Color RAL 5009						
Painting plan 203A						
Mounting B3R(D)						
					SCALE	1:8
ECM	LOC	SUMMARY OF MODIFICATIONS			EXECUTED	CHECKED
EXECUTED	USERADMIN	THREE PHASE W40 MOTOR NEMA PREMIUM EFF				
CHECKED		FRAME 364/5T IP23 ODP				
RELEASED		WEG code: 14010959				
REL DT	14.04.2019	WMO	Jaragua do Sul	Product Engineering	SHEET	1 / 1

75 HP 04 Poles 60Hz

A





MODEL 075180T3E365T-W40
MADE IN BRAZIL
14010959

PH 3	FR 364/5T	HP(kW) 75.0(55.0)	Hz 60
V 230/460	A 171/85.5	RPM 1780	DES B
NEMA NOM EFF 95.0 %	INS. CL. F Δ T 80 K	IP23	
ENCL ODP	DUTY CONT.	AMB. 40°C	
CODE G	PF 0.85	SF 1.25	SFA 214/107
USABLE @208V 189 A SF 1.15			
45.0kW 50Hz 380V 84.4A 1480RPM SF1.0 EFF 94.2% (IE3)			
For 60Hz use on PWM, VT 1000:1, CT 2:1, 1.0SF			

RUN CONNECTION

208-230 V(60Hz)

460V(60Hz)
380V(50Hz)

→ 6314-C3 (27g) MOBIL POLYREX EM
 → 6212-Z-C3 (13g) 20000 h

ALT 1000 m.a.s.l. 771 Lbs