

DATA SHEET



Three Phase Induction Motor - Squirrel Cage

Customer : Dealers Industrial Equipment 800-469-3110																			
Customer reference : 70036OT3Q5010S-W40																			
Product line : W40 NEMA Premium Efficiency Three-Phase	Product code : 13821179 Catalog # : 70036OT3Q5010S-W40																		
Frame : 5010/11 Output : 700 HP (515 kW) Poles : 2 Frequency : 60 Hz Rated voltage : 460 V Rated current : 764 A L. R. Amperes : 5195 A LRC : 6.8x(Code G) No load current : 180 A Rated speed : 3570 rpm Slip : 0.83 % Rated torque : 1020 ft.lb Locked rotor torque : 200 % Breakdown torque : 240 % Insulation class : F Service factor : 1.15 Moment of inertia (J) : 78.5 sq.ft.lb	Locked rotor time : 28s (cold) 16s (hot) Temperature rise : 105 K Duty cycle : Cont.(S1) Ambient temperature : -20°C to +40°C Altitude : 1000 m.a.s.l. Protection degree : IP23 Cooling method : IC01 - ODP Mounting : F-1 Rotation ¹ : Both (CW and CCW) Noise level ² : 89.0 dB(A) Starting method : Direct On Line Approx. weight ³ : 3419 lb																		
<table border="1"> <tr> <td>Output</td> <td>25%</td> <td>50%</td> <td>75%</td> <td>100%</td> <td rowspan="3">Foundation loads Max. traction Max. compression</td> </tr> <tr> <td>Efficiency (%)</td> <td>0.000</td> <td>95.4</td> <td>95.8</td> <td>96.2</td> </tr> <tr> <td>Power Factor</td> <td>0.00</td> <td>0.79</td> <td>0.86</td> <td>0.88</td> </tr> </table>	Output	25%	50%	75%	100%	Foundation loads Max. traction Max. compression	Efficiency (%)	0.000	95.4	95.8	96.2	Power Factor	0.00	0.79	0.86	0.88			
Output	25%	50%	75%	100%	Foundation loads Max. traction Max. compression														
Efficiency (%)	0.000	95.4	95.8	96.2															
Power Factor	0.00	0.79	0.86	0.88															
<table border="1"> <tr> <td></td> <td style="text-align: center;"><u>Drive end</u></td> <td style="text-align: center;"><u>Non drive end</u></td> </tr> <tr> <td>Bearing type :</td> <td style="text-align: center;">6314 C3</td> <td style="text-align: center;">6314 C3</td> </tr> <tr> <td>Sealing :</td> <td style="text-align: center;">Without Bearing Seal</td> <td style="text-align: center;">Without Bearing Seal</td> </tr> <tr> <td>Lubrication interval :</td> <td style="text-align: center;">4500 h</td> <td style="text-align: center;">4500 h</td> </tr> <tr> <td>Lubricant amount :</td> <td style="text-align: center;">27 g</td> <td style="text-align: center;">27 g</td> </tr> <tr> <td>Lubricant type :</td> <td colspan="2" style="text-align: center;">Mobil Polyrex EM</td> </tr> </table>			<u>Drive end</u>	<u>Non drive end</u>	Bearing type :	6314 C3	6314 C3	Sealing :	Without Bearing Seal	Without Bearing Seal	Lubrication interval :	4500 h	4500 h	Lubricant amount :	27 g	27 g	Lubricant type :	Mobil Polyrex EM	
	<u>Drive end</u>	<u>Non drive end</u>																	
Bearing type :	6314 C3	6314 C3																	
Sealing :	Without Bearing Seal	Without Bearing Seal																	
Lubrication interval :	4500 h	4500 h																	
Lubricant amount :	27 g	27 g																	
Lubricant type :	Mobil Polyrex EM																		
Notes downloaded from http://dealerselectric.com																			
This revision replaces and cancel the previous one, which must be eliminated. (1) Looking the motor from the shaft end. (2) Measured at 1m and with tolerance of +3dB(A). (3) Approximate weight subject to changes after manufacturing process. (4) At 100% of full load.		These are average values based on tests with sinusoidal power supply, subject to the tolerances stipulated in NEMA MG-1.																	
Rev.	Changes Summary	Performed	Checked	Date															
Performed by																			
Checked by			Page	Revision															
Date	16/04/2019		1 / 3																

DATA SHEET



Three Phase Induction Motor - Squirrel Cage

Customer : Dealers Industrial Equipment 800-469-3110
Customer reference : 70036OT3Q5010S-W40

Thermal protection

ID	Application	Type	Quantity	Sensing Temperature
1	Winding	Thermistor - 2 wires	1 x Phase	155 °C

Rev.	Changes Summary	Performed	Checked	Date
Performed by				
Checked by			Page	Revision
Date	16/04/2019		2 / 3	

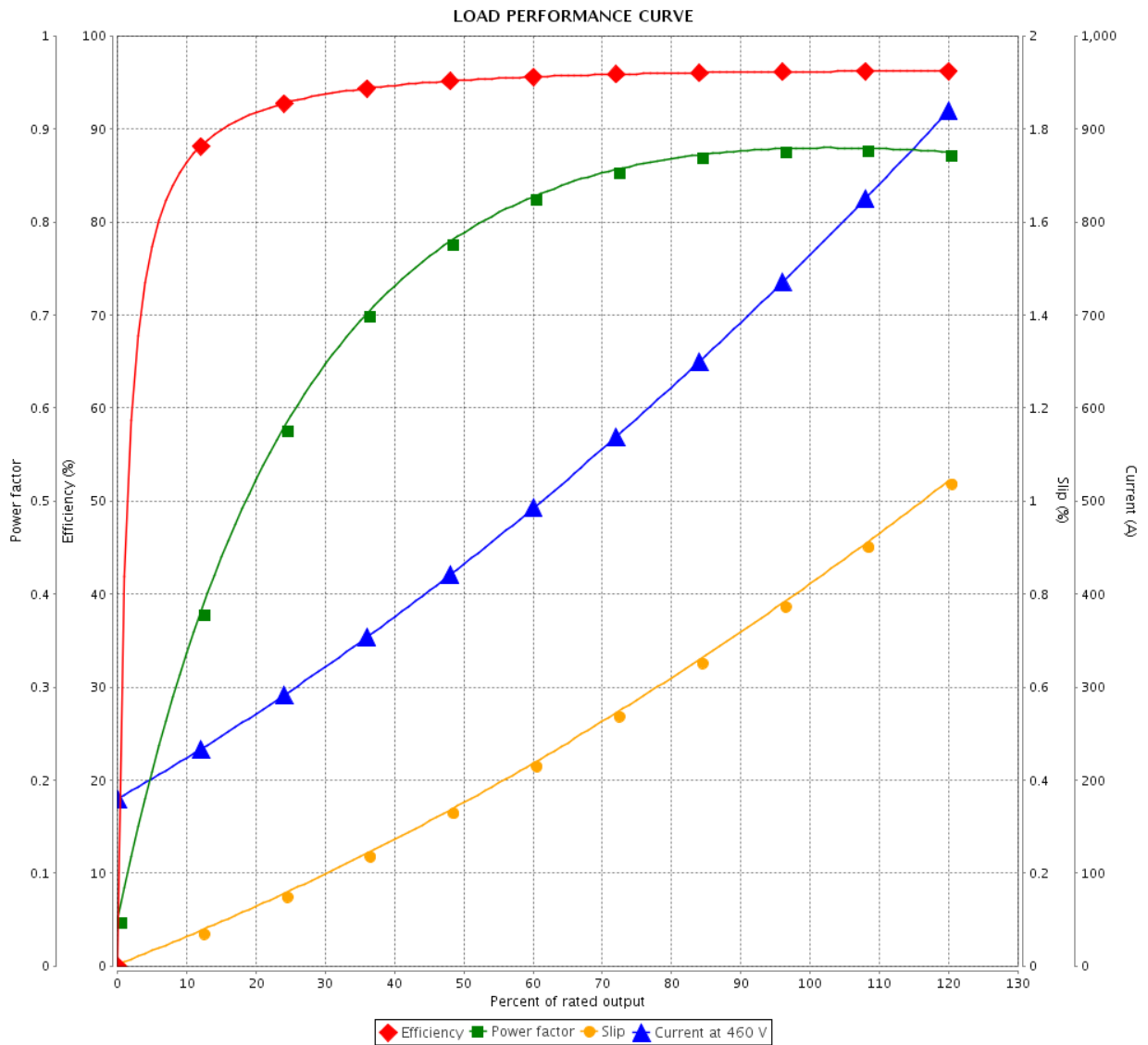
LOAD PERFORMANCE CURVE

Three Phase Induction Motor - Squirrel Cage



Customer : Dealers Industrial Equipment 800-469-3110
 Customer reference : 70036OT3Q5010S-W40

Product line : W40 NEMA Premium Efficiency Three-Phase Product code : 13821179
 Catalog # : 70036OT3Q5010S-W40



Performance : 460 V 60 Hz 2P

Rated current : 764 A
 LRC : 6.8
 Rated torque : 1020 ft.lb
 Locked rotor torque : 200 %
 Breakdown torque : 240 %
 Rated speed : 3570 rpm

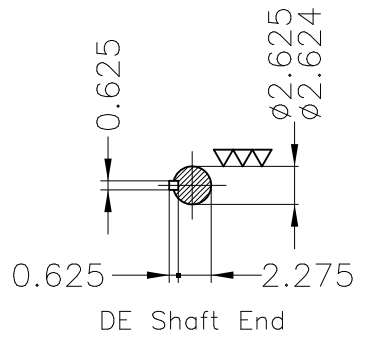
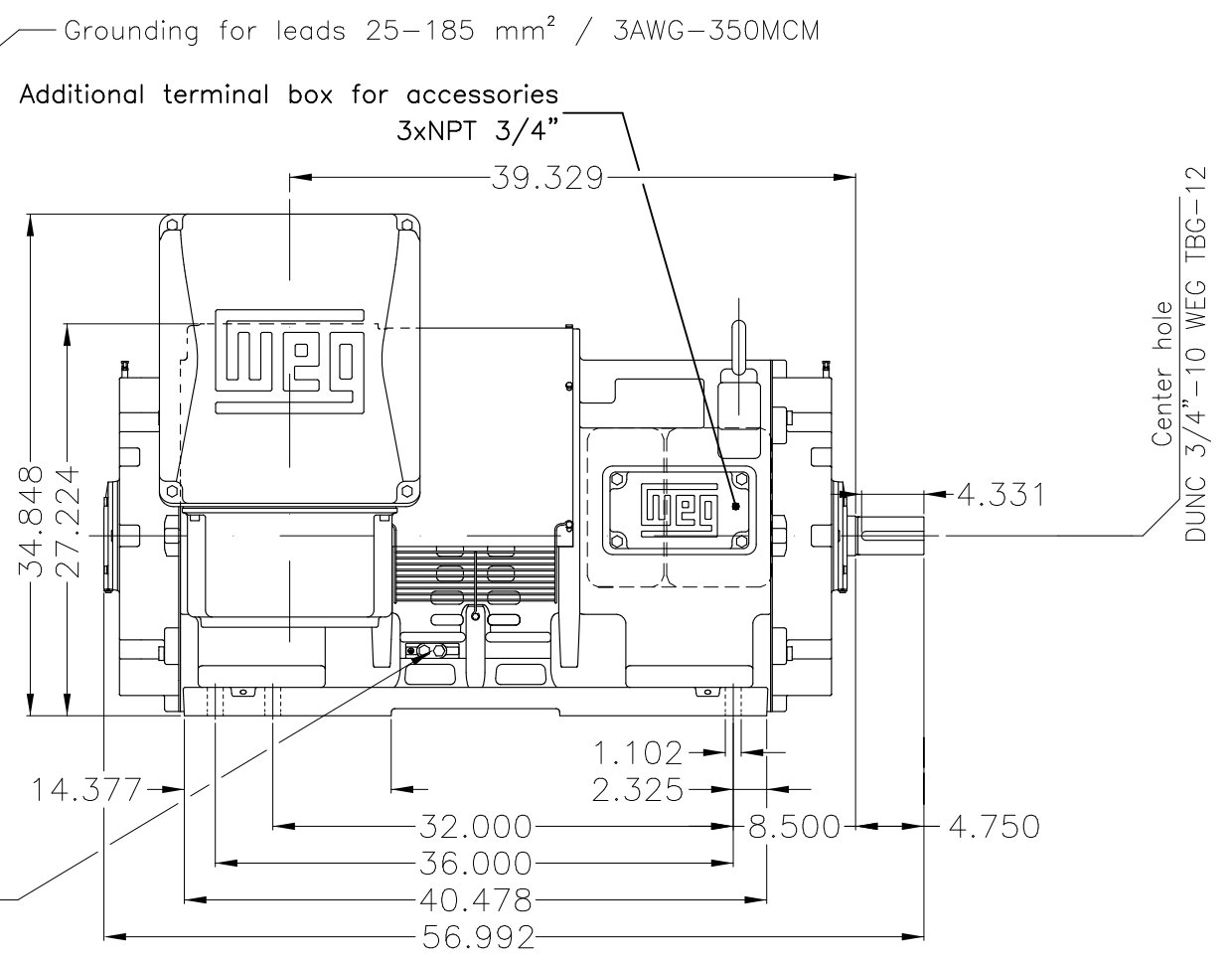
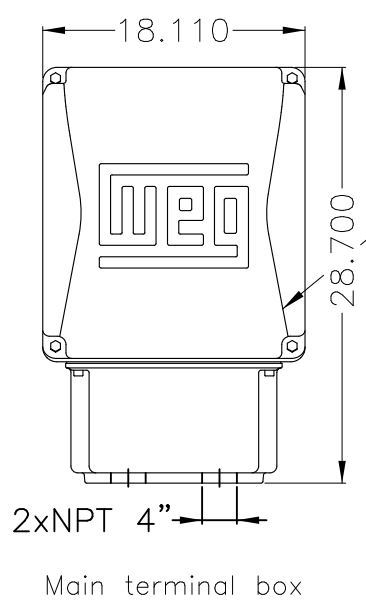
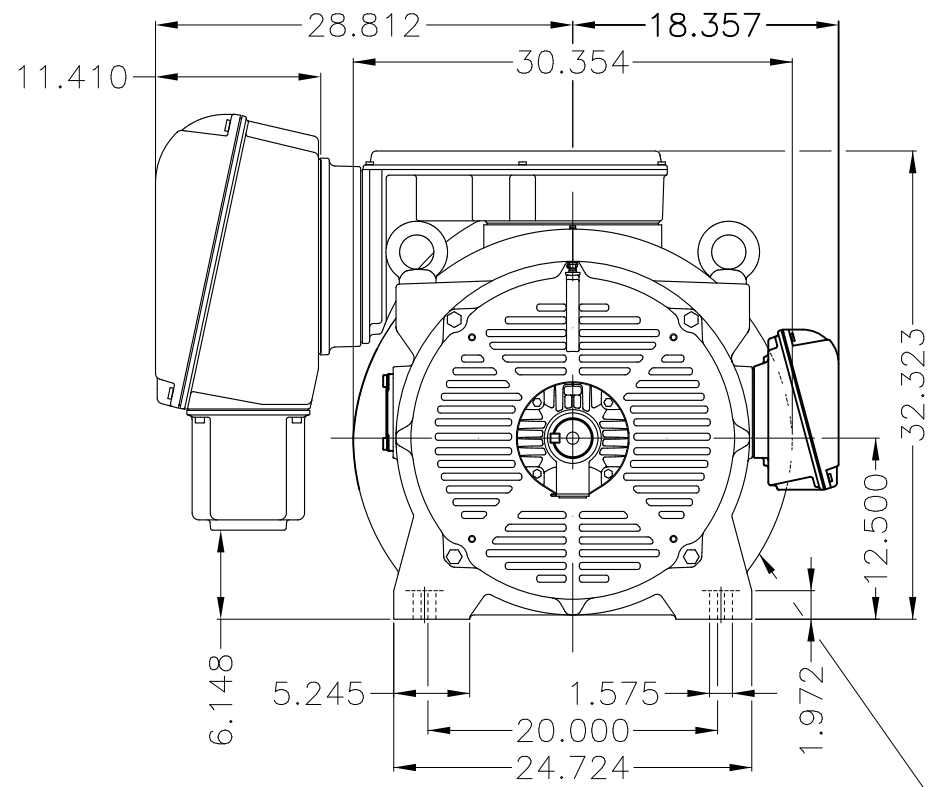
Moment of inertia (J) : 78.5 sq.ft.lb
 Duty cycle : Cont.(S1)
 Insulation class : F
 Service factor : 1.15
 Temperature rise : 105 K

Rev.	Changes Summary	Performed	Checked	Date
Performed by		Page		Revision
Checked by		3 / 3		
Date		16/04/2019		

Dimensões em polegada
Dimensions in inches

THIS IS AN UPDATED REVISION, THE
PREVIOUS ONE MUST BE DISREGARDED.

A
B
C
D
E



NDE endshield with electrically insulated bearing hub						
Color RAL 5009						
Painting plan 203A						
Mounting B3R(D)						
					SCALE	1:13
ECM	LOC	SUMMARY OF MODIFICATIONS		EXECUTED	CHECKED	RELEASED
EXECUTED	USERADMIN	THREE PHASE W40 MOTOR NEMA PREMIUM EFF				
CHECKED		FRAME 5010/11 IP23 ODP				
RELEASED		WEG code: 13821179				
REL DT	16.04.2019	WMO	Jaragua do Sul	Product Engineering	SHEET	1 / 1

700 HP 02 Poles 60Hz

A

