

DATA SHEET



Three Phase Induction Motor - Squirrel Cage

Customer : Dealers Industrial Equipment 800-469-3110																			
Customer reference : 06036OP3HFP326JMV																			
Product line : Close Coupled Pump High Efficiency Three-Phase	Product code : 13548365																		
	Catalog # : 06036OP3HFP326JMV																		
Frame : 326JM Output : 60 HP (45 kW) Poles : 2 Frequency : 60 Hz Rated voltage : 575 V Rated current : 56.5 A L. R. Amperes : 339 A LRC : 6.0x(Code G) No load current : 14.4 A Rated speed : 3555 rpm Slip : 1.25 % Rated torque : 87.4 ft.lb Locked rotor torque : 220 % Breakdown torque : 229 % Insulation class : F Service factor : 1.15 Moment of inertia (J) : 3.94 sq.ft.lb Design : B	Locked rotor time : 30s (cold) 17s (hot) Temperature rise : 80 K Duty cycle : Cont.(S1) Ambient temperature : -20°C to +40°C Altitude : 1000 m.a.s.l. Protection degree : IP23 Cooling method : IC01 - ODP Mounting : W-6 Rotation ¹ : Both (CW and CCW) Noise level ² : 75.0 dB(A) Starting method : Direct On Line Approx. weight ³ : 512 lb																		
<table border="1"> <tr> <td>Output</td> <td>25%</td> <td>50%</td> <td>75%</td> <td>100%</td> </tr> <tr> <td>Efficiency (%)</td> <td>92.3</td> <td>92.4</td> <td>93.0</td> <td>93.0</td> </tr> <tr> <td>Power Factor</td> <td>0.55</td> <td>0.77</td> <td>0.84</td> <td>0.86</td> </tr> </table>	Output	25%	50%	75%	100%	Efficiency (%)	92.3	92.4	93.0	93.0	Power Factor	0.55	0.77	0.84	0.86	Foundation loads Max. traction : 526 lb Max. compression : 1038 lb			
Output	25%	50%	75%	100%															
Efficiency (%)	92.3	92.4	93.0	93.0															
Power Factor	0.55	0.77	0.84	0.86															
<table border="1"> <thead> <tr> <th></th> <th>Drive end</th> <th>Non drive end</th> </tr> </thead> <tbody> <tr> <td>Bearing type</td> <td>6312 Z C3</td> <td>6212 Z C3</td> </tr> <tr> <td>Sealing</td> <td>Without Bearing Seal</td> <td>Without Bearing Seal</td> </tr> <tr> <td>Lubrication interval</td> <td>9829 h</td> <td>12143 h</td> </tr> <tr> <td>Lubricant amount</td> <td>21 g</td> <td>13 g</td> </tr> <tr> <td>Lubricant type</td> <td colspan="2">Mobil Polyrex EM</td> </tr> </tbody> </table>			Drive end	Non drive end	Bearing type	6312 Z C3	6212 Z C3	Sealing	Without Bearing Seal	Without Bearing Seal	Lubrication interval	9829 h	12143 h	Lubricant amount	21 g	13 g	Lubricant type	Mobil Polyrex EM	
	Drive end	Non drive end																	
Bearing type	6312 Z C3	6212 Z C3																	
Sealing	Without Bearing Seal	Without Bearing Seal																	
Lubrication interval	9829 h	12143 h																	
Lubricant amount	21 g	13 g																	
Lubricant type	Mobil Polyrex EM																		
Notes downloaded from http://dealerselectric.com																			
This revision replaces and cancel the previous one, which must be eliminated. (1) Looking the motor from the shaft end. (2) Measured at 1m and with tolerance of +3dB(A). (3) Approximate weight subject to changes after manufacturing process. (4) At 100% of full load.																			
These are average values based on tests with sinusoidal power supply, subject to the tolerances stipulated in NEMA MG-1.																			
Rev.	Changes Summary	Performed	Checked	Date															
Performed by																			
Checked by			Page	Revision															
Date	14/04/2019		1 / 2																

LOAD PERFORMANCE CURVE



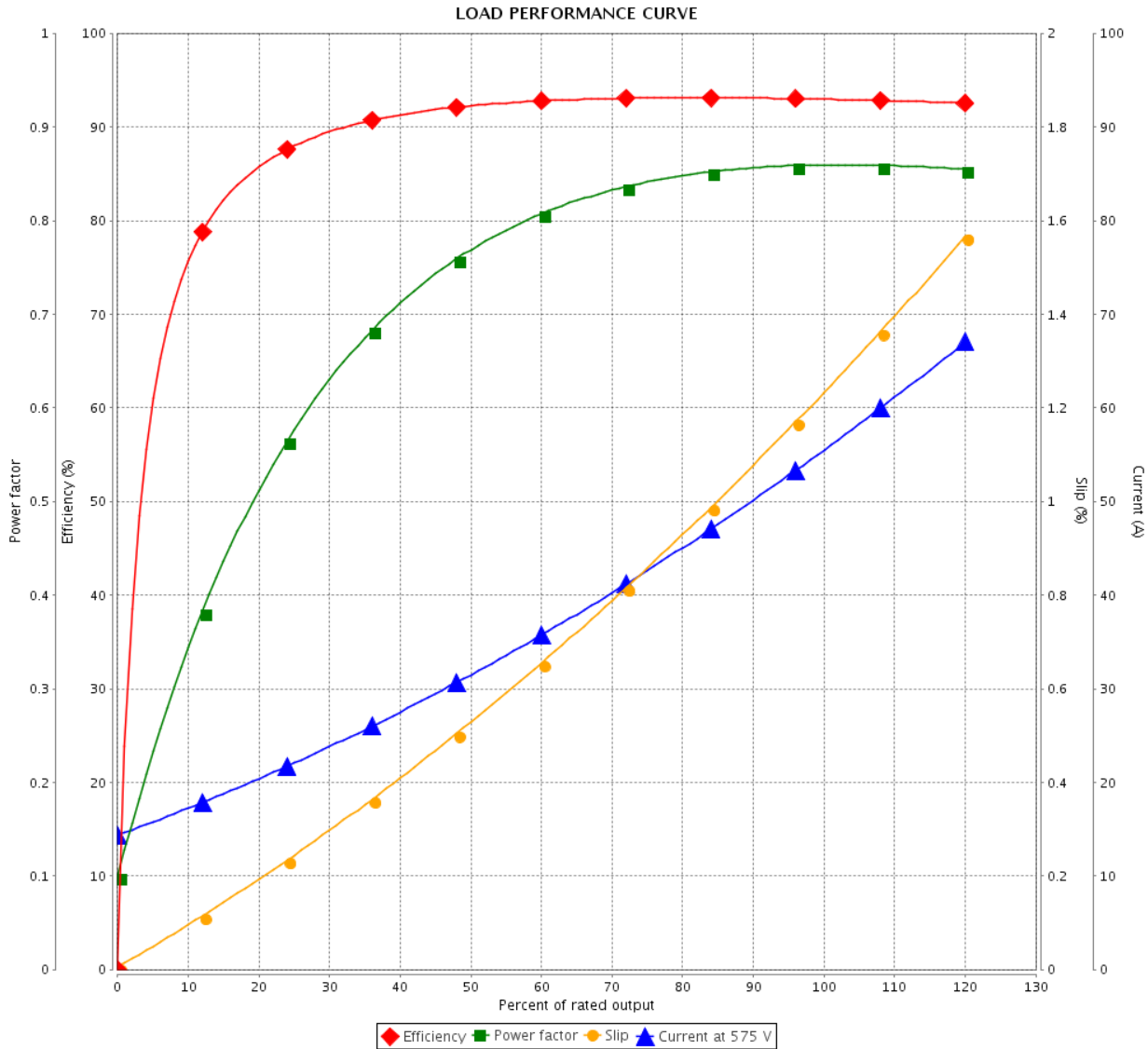
Three Phase Induction Motor - Squirrel Cage

Customer : Dealers Industrial Equipment 800-469-3110
 Customer reference : 06036OP3HFP326JMV

Product line : Close Coupled Pump High Efficiency Three-Phase

Product code : 13548365

Catalog # : 06036OP3HFP326JMV



Performance : 575 V 60 Hz 2P

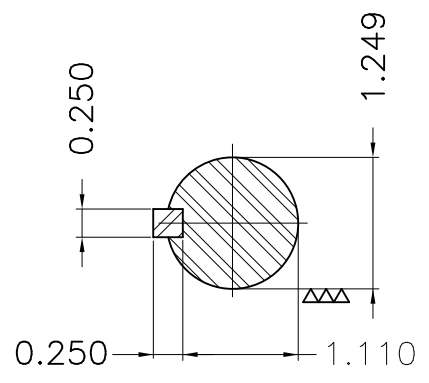
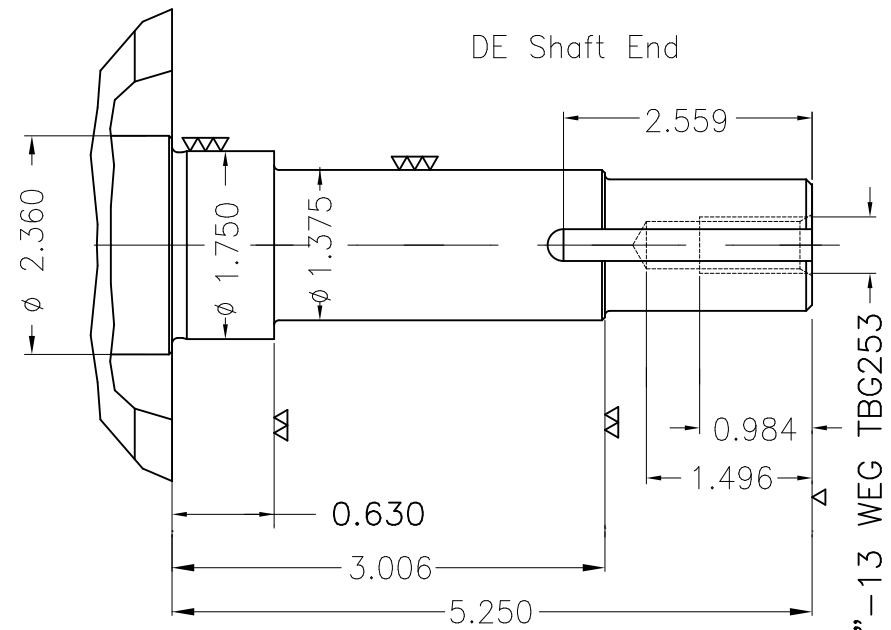
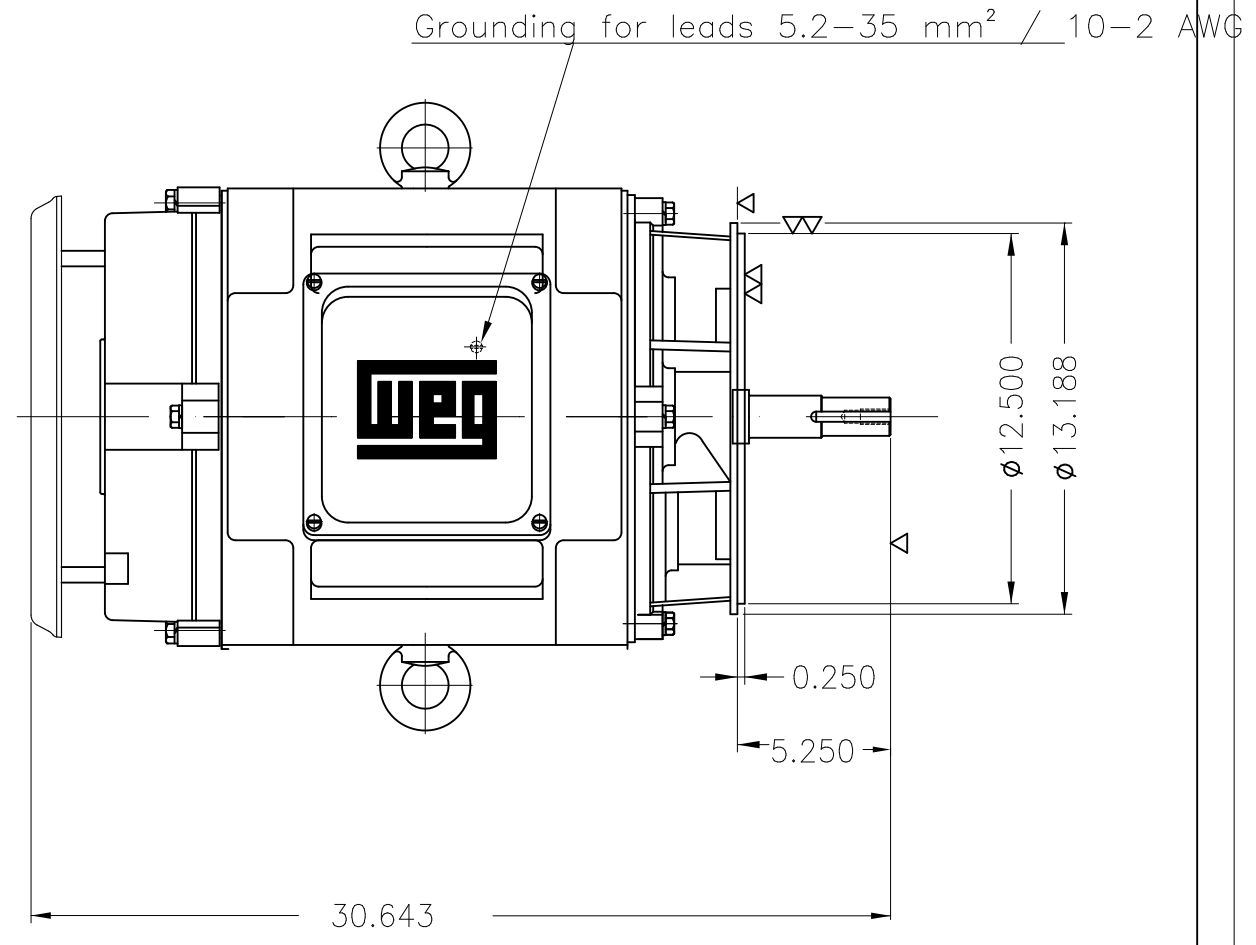
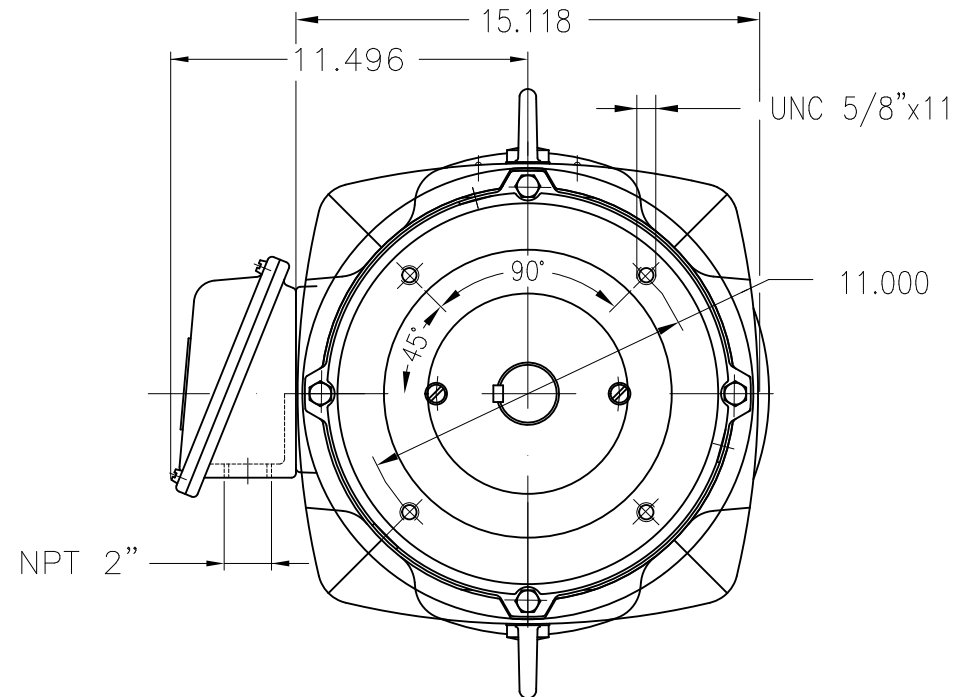
Rated current : 56.5 A
 LRC : 6.0
 Rated torque : 87.4 ft.lb
 Locked rotor torque : 220 %
 Breakdown torque : 229 %
 Rated speed : 3555 rpm

Moment of inertia (J) : 3.94 sq.ft.lb
 Duty cycle : Cont.(S1)
 Insulation class : F
 Service factor : 1.15
 Temperature rise : 80 K
 Design : B

Rev.	Changes Summary	Performed	Checked	Date
Performed by			Page	Revision
Checked by			2 / 2	
Date	14/04/2019			

Dimensões em polegada
Dimensions in inches

THIS IS AN UPDATED REVISION, THE
PREVIOUS ONE MUST BE DISREGARDED.



EUNC 1/2"-13 WEG TBG253

Certification UL/FIRE PUMP
Color RAL 3002
Painting plan 203A
Mounting V18

ECM	LOC	SUMMARY OF MODIFICATIONS			EXECUTED	CHECKED	RELEASED	DATE	VER
EXECUTED	USERADMIN		THREE PHASE MOTOR HIGH EFFICI						
CHECKED			FRAME 326JM IP23 ODP						
RELEASED			WEG code: 13548365						
REL DT	14.04.2019	WMO	Jaragua do Sul	Product Engineering	SHEET	1 / 1			

60 HP 02 Poles 60Hz

A

