

DATA SHEET



Three Phase Induction Motor - Squirrel Cage

Customer		: Dealers Industrial Equipment 800-469-3110			
Customer reference		: 05036OP3EFP324JMV			
Product line		: Close Coupled Pump High Efficiency Three-Phase		Product code : 13548236	
				Catalog # : 05036OP3EFP324JMV	
Frame		: 324JM		Locked rotor time	
Output		: 50 HP (37 kW)		: 50s (cold) 28s (hot)	
Poles		: 2		Temperature rise	
Frequency		: 60 Hz		: 80 K	
Rated voltage		: 208-230/460 V		Duty cycle	
Rated current		: 129-117/58.4 A		: Cont.(S1)	
L. R. Amperes		: 801-724/362 A		Ambient temperature	
LRC		: 6.2x(Code G)		: -20°C to +40°C	
No load current		: 33.6-39.0/19.5 A		Altitude	
Rated speed		: 3560 rpm		: 1000 m.a.s.l.	
Slip		: 1.11 %		Protection degree	
Rated torque		: 72.8 ft.lb		: IP23	
Locked rotor torque		: 220 %		Cooling method	
Breakdown torque		: 240 %		: IC01 - ODP	
Insulation class		: F		Mounting	
Service factor		: 1.15		: W-6	
Moment of inertia (J)		: 3.30 sq.ft.lb		Rotation ¹	
Design		: B		: Both (CW and CCW)	
				Noise level ²	
				: 74.0 dB(A)	
				Starting method	
				: Direct On Line	
				Approx. weight ³	
				: 458 lb	
Output		25%	50%	75%	100%
Efficiency (%)		90.8	91.0	92.4	92.4
Power Factor		0.50	0.75	0.83	0.86
		Foundation loads			
		Max. traction : 555 lb			
		Max. compression : 1013 lb			
		<u>Drive end</u>		<u>Non drive end</u>	
Bearing type		: 6312 Z C3		6212 Z C3	
Sealing		: Without Bearing Seal		Without Bearing Seal	
Lubrication interval		: 9829 h		12143 h	
Lubricant amount		: 21 g		13 g	
Lubricant type		: Mobil Polyrex EM			
Notes					
downloaded from http://dealerselectric.com					
This revision replaces and cancel the previous one, which must be eliminated.			These are average values based on tests with sinusoidal power supply, subject to the tolerances stipulated in NEMA MG-1.		
(1) Looking the motor from the shaft end.					
(2) Measured at 1m and with tolerance of +3dB(A).					
(3) Approximate weight subject to changes after manufacturing process.					
(4) At 100% of full load.					
Rev.	Changes Summary			Performed	Checked
Performed by					
Checked by				Page	Revision
Date	14/04/2019			1 / 2	

LOAD PERFORMANCE CURVE



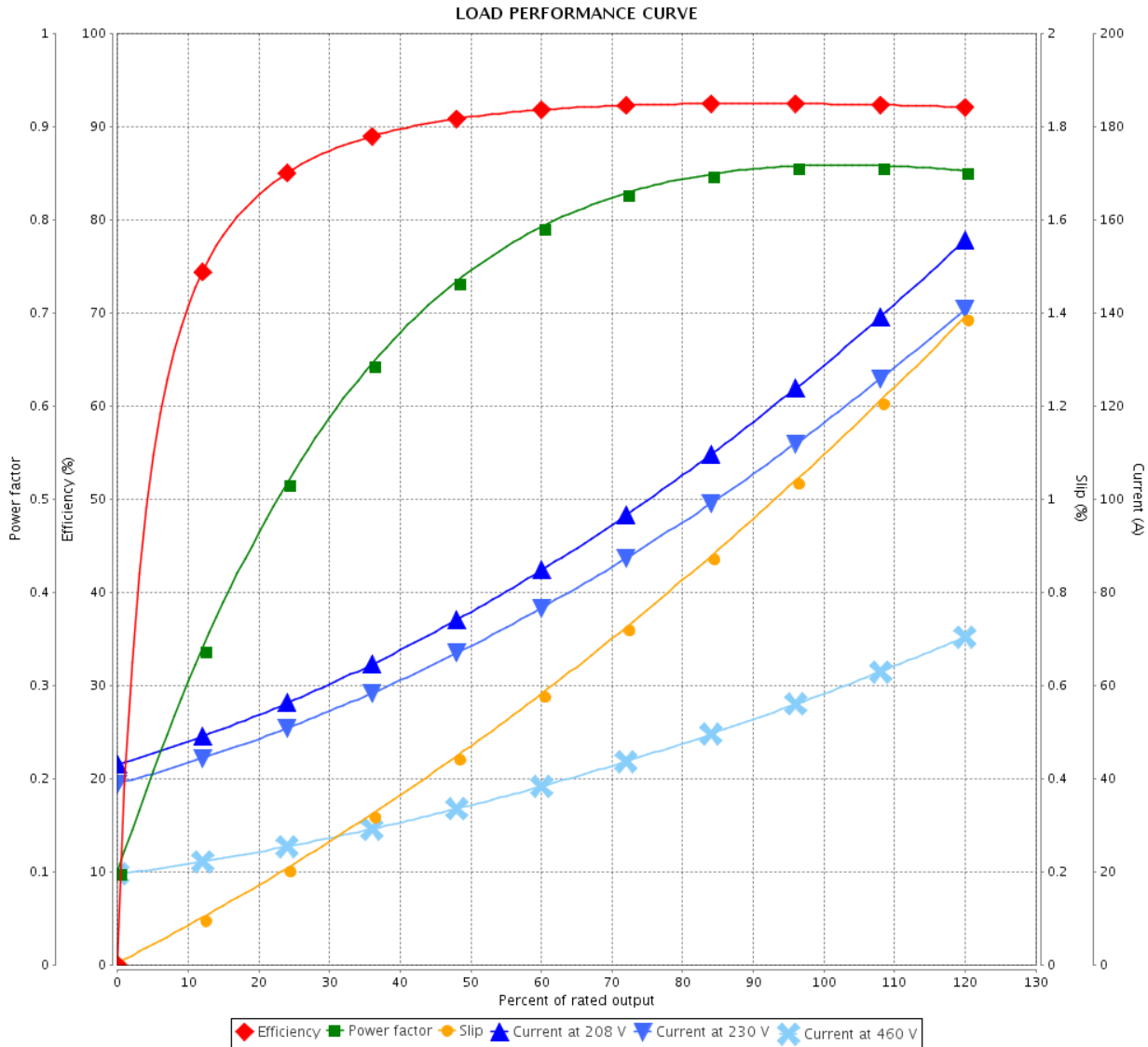
Three Phase Induction Motor - Squirrel Cage

Customer : Dealers Industrial Equipment 800-469-3110
 Customer reference : 05036OP3EFP324JMV

Product line : Close Coupled Pump High Efficiency Three-Phase

Product code : 13548236

Catalog # : 05036OP3EFP324JMV



Performance : 208-230/460 V 60 Hz 2P

Rated current : 129-117/58.4 A
 LRC : 6.2
 Rated torque : 72.8 ft.lb
 Locked rotor torque : 220 %
 Breakdown torque : 240 %
 Rated speed : 3560 rpm

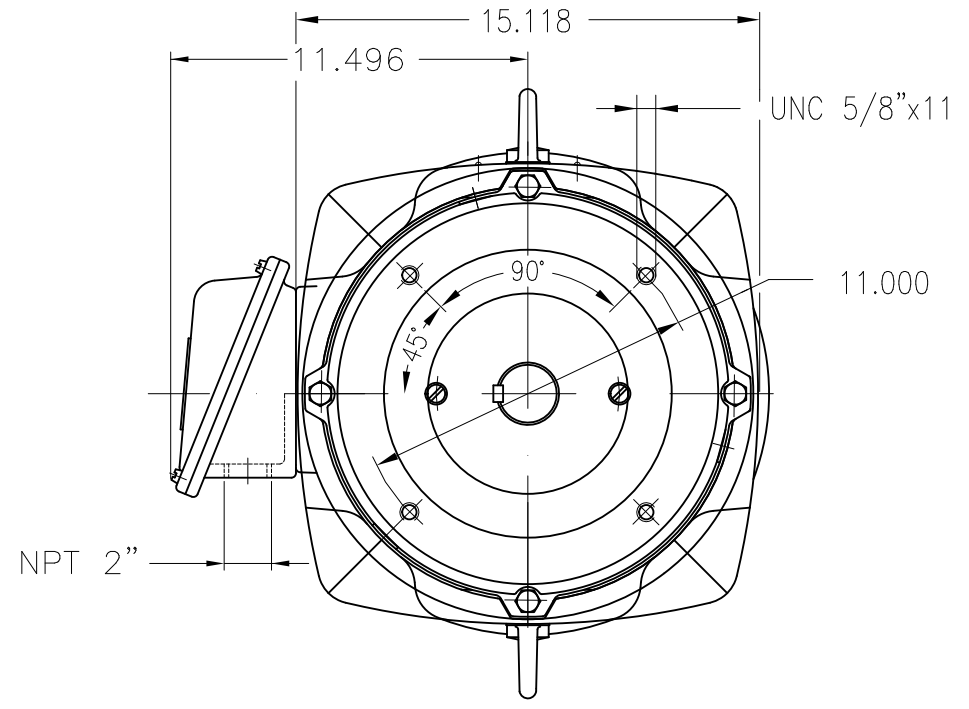
Moment of inertia (J) : 3.30 sq.ft.lb
 Duty cycle : Cont.(S1)
 Insulation class : F
 Service factor : 1.15
 Temperature rise : 80 K
 Design : B

Rev.	Changes Summary	Performed	Checked	Date
Performed by			Page 2 / 2	Revision
Checked by				
Date	14/04/2019			

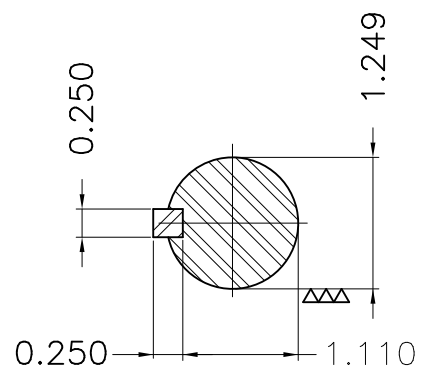
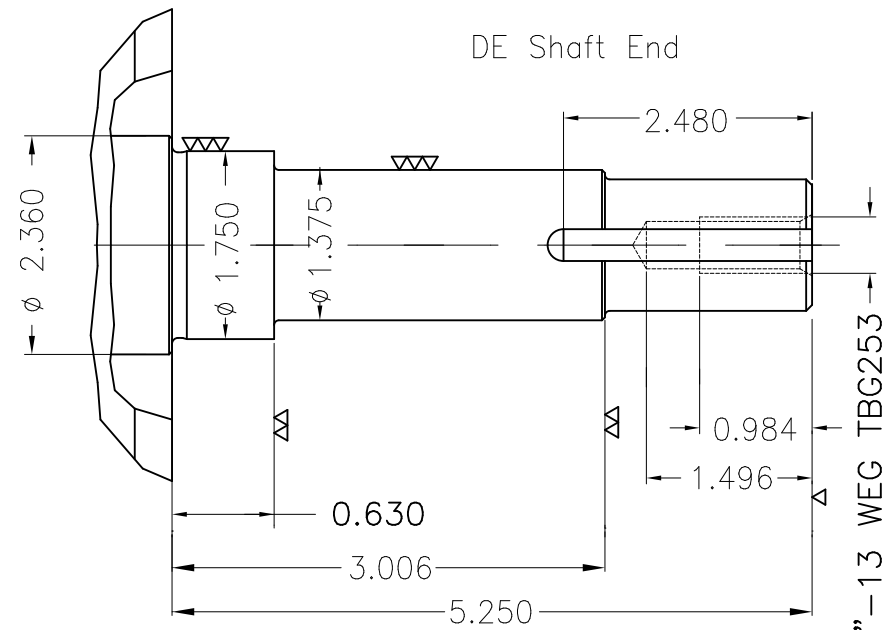
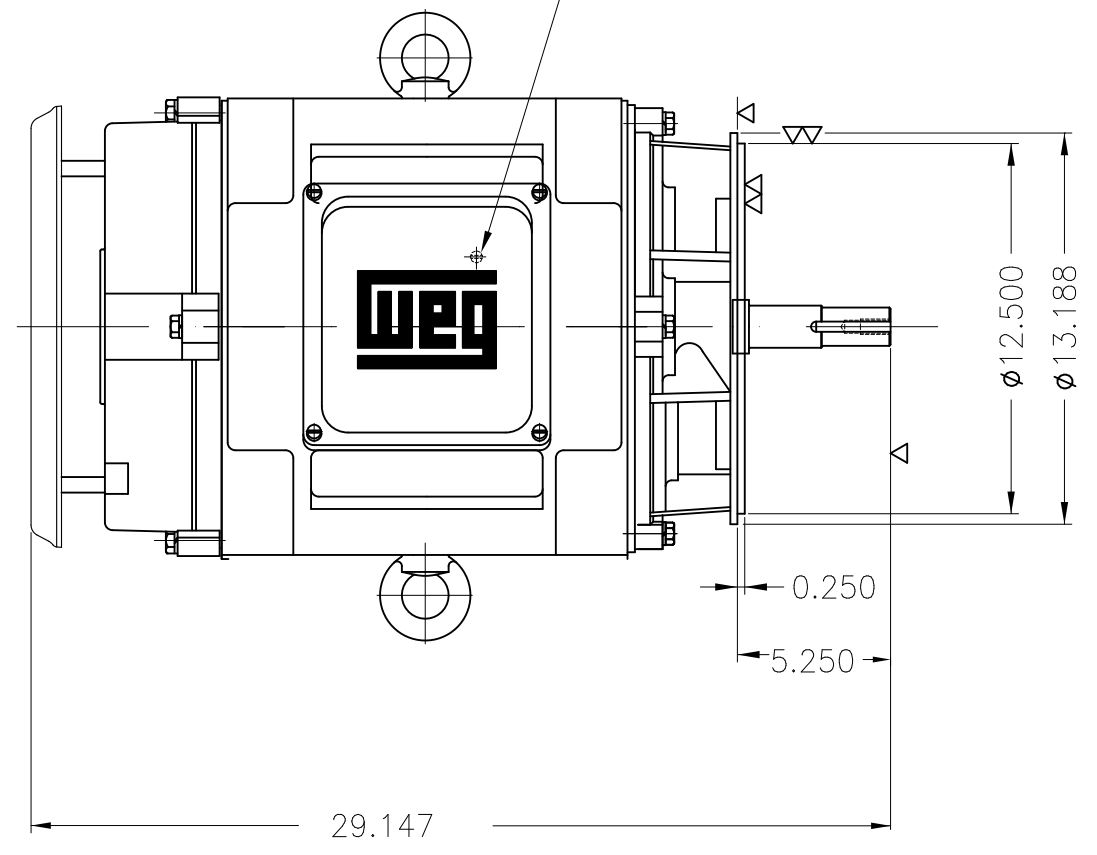
Dimensões em polegada
Dimensions in inches

THIS IS AN UPDATED REVISION, THE
PREVIOUS ONE MUST BE DISREGARDED.

A
B
C
D
E



Grounding for leads 5.2-35 mm² / 10-2 AWG



EUNC 1/2"-13 WEG TBG253

Certification UL/FIRE PUMP
Color RAL 3002
Painting plan 203A
Mounting V18

ECM	LOC	SUMMARY OF MODIFICATIONS	EXECUTED	CHECKED	RELEASED	DATE	VER
EXECUTED	USERADMIN	THREE PHASE MOTOR HIGH EFFICI					
CHECKED		FRAME 324JM IP23 ODP					
RELEASED		WEG code: 13548236					
REL DT	14.04.2019	WMO Jaragua do Sul	Product Engineering	SHEET	1 / 1		

50 HP 02 Poles 60Hz

A

