

DATA SHEET



Single Phase Induction Motor - Squirrel Cage

Customer	: Dealers Industrial Equipment 800-469-3110				
Customer reference	: .1618OS1ASPRBO48Z-S				
Product line	: Rolled Steel 00021 Single-Phase Split Phase		Product code :	13516749	
			Catalog # :	.1618OS1ASPRBO48Z-S	
Frame	: 48Z		Locked rotor time	: 10s (cold) 6s (hot)	
Output	: 0.16 HP (0.12 kW)		Temperature rise	: 80 K	
Poles	: 4		Duty cycle	: Cont.(S1)	
Frequency	: 60 Hz		Ambient temperature	: -20°C to +40°C	
Rated voltage	: 115 V		Altitude	: 1000 m.a.s.l.	
Rated current	: 3.04 A		Cooling method	: IC01 - ODP	
L. R. Amperes	: 18.8 A		Mounting	: F-1	
LRC	: 6.2x(Code P)		Rotation ¹	: Both (CW and CCW)	
No load current	: 2.80 A		Starting method	: Direct On Line	
Rated speed	: 1725 rpm		Approx. weight ³	: 18.0 lb	
Slip	: 4.17 %				
Rated torque	: 0.481 ft.lb				
Locked rotor torque	: 130 %				
Breakdown torque	: 270 %				
Insulation class	: F				
Service factor	: 1.35				
Moment of inertia (J)	: N				
Design					
Output	25%	50%	75%	100%	
Efficiency (%)	35.1	38.0	46.0	50.5	
Power Factor	0.27	0.50	0.59	0.68	
	Foundation loads				
	Max. traction : 5 lb				
	Max. compression : 23 lb				
	<u>Drive end</u>		<u>Non drive end</u>		
Bearing type	: 6203 ZZ		: 6202 ZZ		
Sealing	: Without Bearing Seal		: Without Bearing Seal		
Lubrication interval	: -		: -		
Lubricant amount	: -		: -		
Lubricant type	: Mobil Polyrex EM				
Notes downloaded from http://dealerselectric.com					
This revision replaces and cancel the previous one, which must be eliminated. (1) Looking the motor from the shaft end. (2) Measured at 1m and with tolerance of +3dB(A). (3) Approximate weight subject to changes after manufacturing process. (4) At 100% of full load.			These are average values based on tests with sinusoidal power supply, subject to the tolerances stipulated in NEMA MG-1.		
Rev.	Changes Summary		Performed	Checked	Date
Performed by					
Checked by				Page	Revision
Date	05/04/2019			1 / 2	

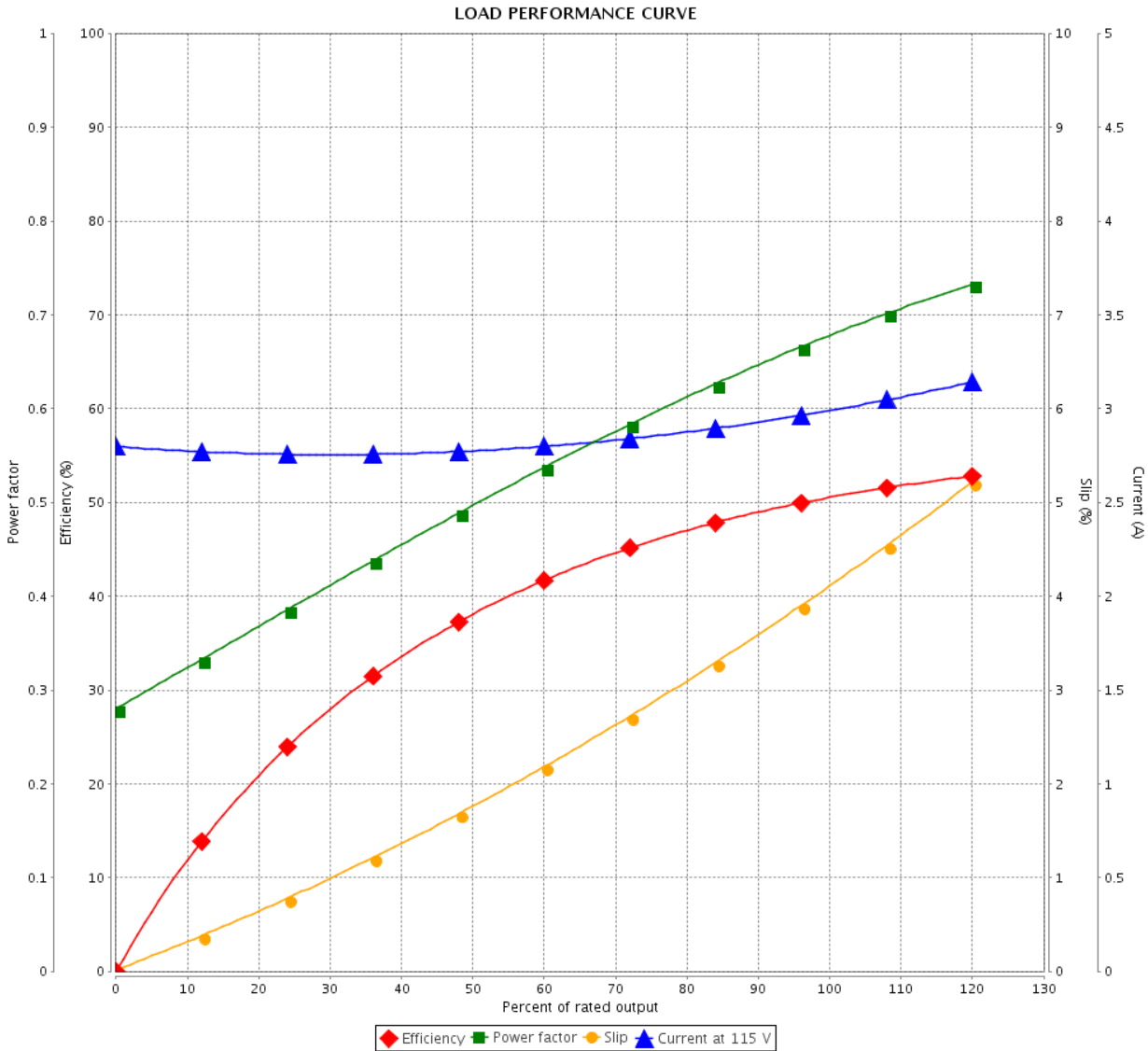
LOAD PERFORMANCE CURVE



Single Phase Induction Motor - Squirrel Cage

Customer : Dealers Industrial Equipment 800-469-3110
 Customer reference : .1618OS1ASPRBO48Z-S

Product line : Rolled Steel 00021 Single-Phase Split Phase Product code : 13516749
 Catalog # : .1618OS1ASPRBO48Z-S



Performance : 115 V 60 Hz 4P

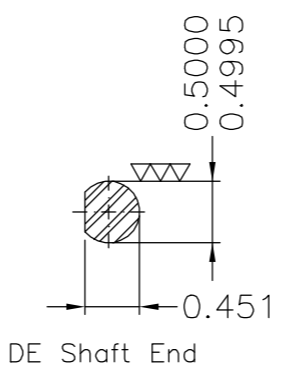
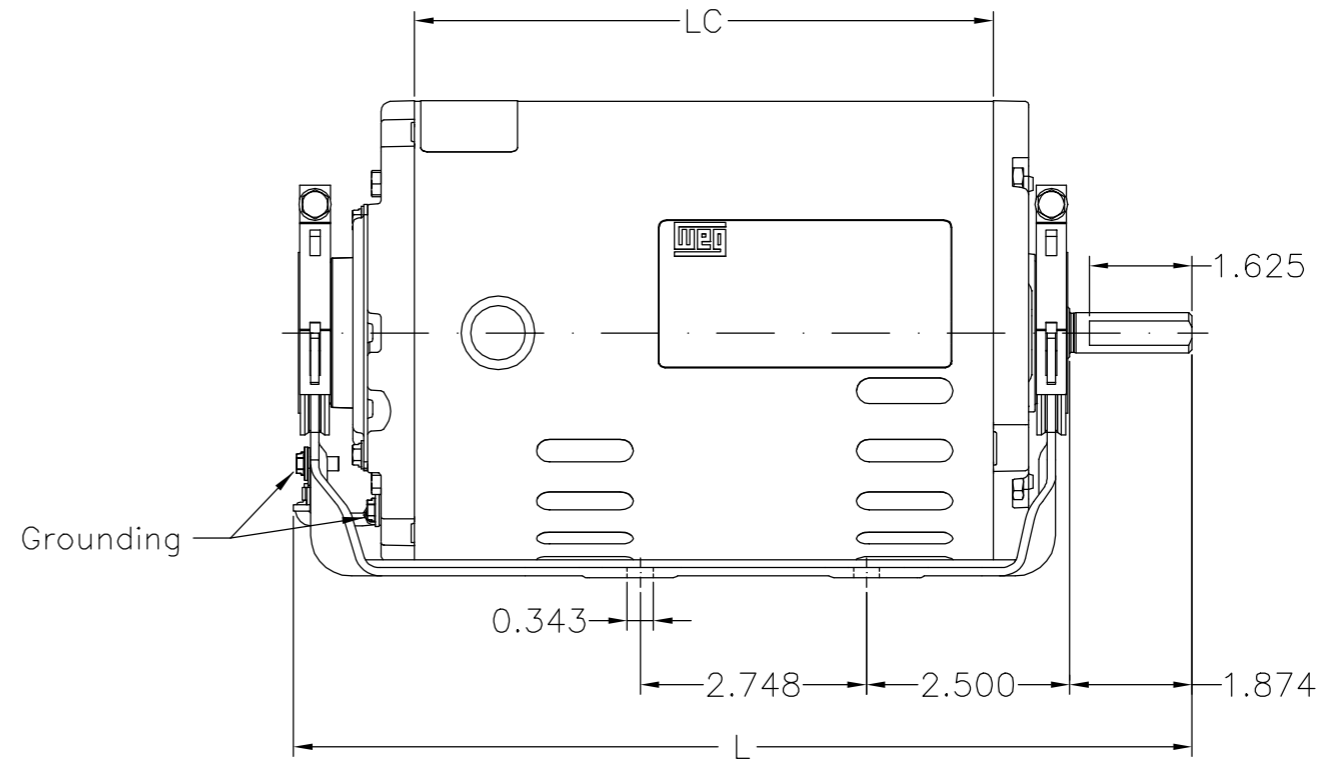
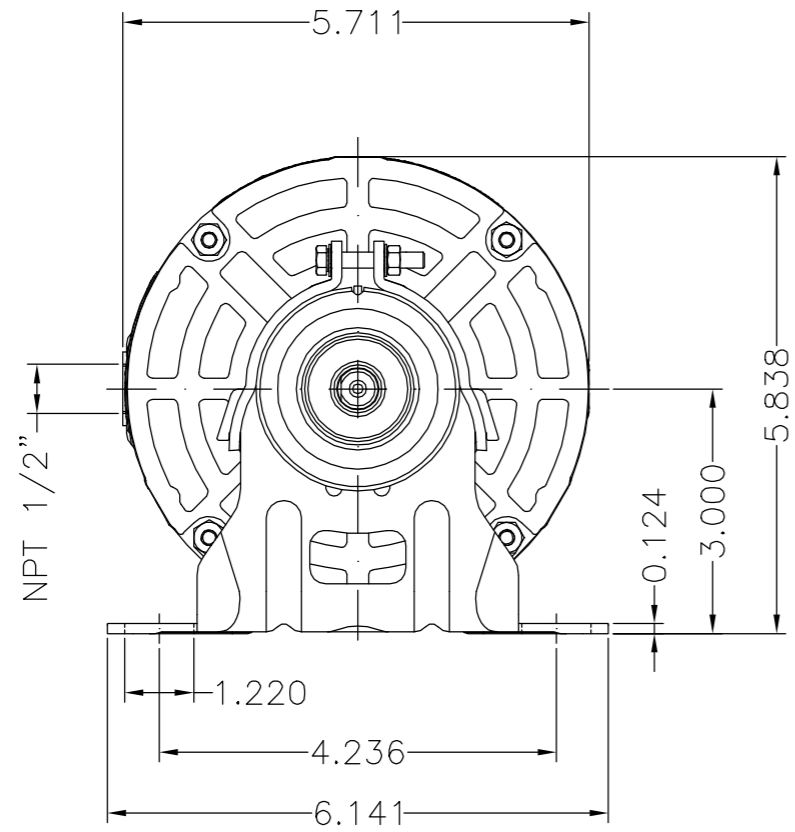
Rated current : 3.04 A	Moment of inertia (J)
LRC : 6.2	Duty cycle : Cont.(S1)
Rated torque : 0.481 ft.lb	Insulation class : F
Locked rotor torque : 130 %	Service factor : 1.35
Breakdown torque : 270 %	Temperature rise : 80 K
Rated speed : 1725 rpm	Design : N

Rev.	Changes Summary	Performed	Checked	Date
Performed by			Page 2 / 2	Revision
Checked by				
Date	05/04/2019			

EIXO/SHAFT	
PADRÃO/STANDARD	Dimensões em polegadas
OPCIONAL/OPTIONAL	
ESPECIAL/SPECIAL	X Dimensions in inches

THIS IS AN UPDATED REVISION, THE PREVIOUS ONE MUST BE DISREGARDED.

A
B
C
D
E



				LC	L	
1/2 HP	04 Poles	60Hz	413730044	6.693	10.925	G
1/2 HP	04 Poles	60Hz	413729999	6.693	10.925	F
1/3 HP	04 Poles	60Hz	413730042	5.905	10.137	E
1/3 HP	04 Poles	60Hz	413729998	5.905	10.137	D
1/4 HP	04 Poles	60Hz	413730041	5.905	10.137	C
1/4 HP	04 Poles	60Hz	413729997	5.905	10.137	B
1/6 HP	04 Poles	60Hz	413729929	5.905	10.137	A

Protetor térmico fenólico - automático / Phenolic thermal protector - automatic
 Sem pintura / Not painted
 Forma construtiva B3D / Mounting F-1/B3R(D)

WEG ELECTRIC CORP.

500001307299	ALTERADO CONFORME ECM	WILLIAMSM	LGAMA	10.05.2017	09			
500001170754	CORRIGIDO VISTAS	LUCASSZ	DEISEM	28.04.2016	08			
ECM	LOC	SUMMARY OF MODIFICATIONS		EXECUTED	CHECKED	RELEASED	DATE	VER
EXECUTED	PATRICKL	SINGLE PHASE SLIT PHASE ODP ROLLED STEEL		10003350390				
CHECKED		FRAME 48Z IP21		000 09				
RELEASED	JTOGNERI							
REL DT	11.02.2015	WMO	LINHARES	ENGENHARIA DE PRODUTO	SHEET	1 / 1		

UNCONTROLLED COPY
RELEASED
ZME A3