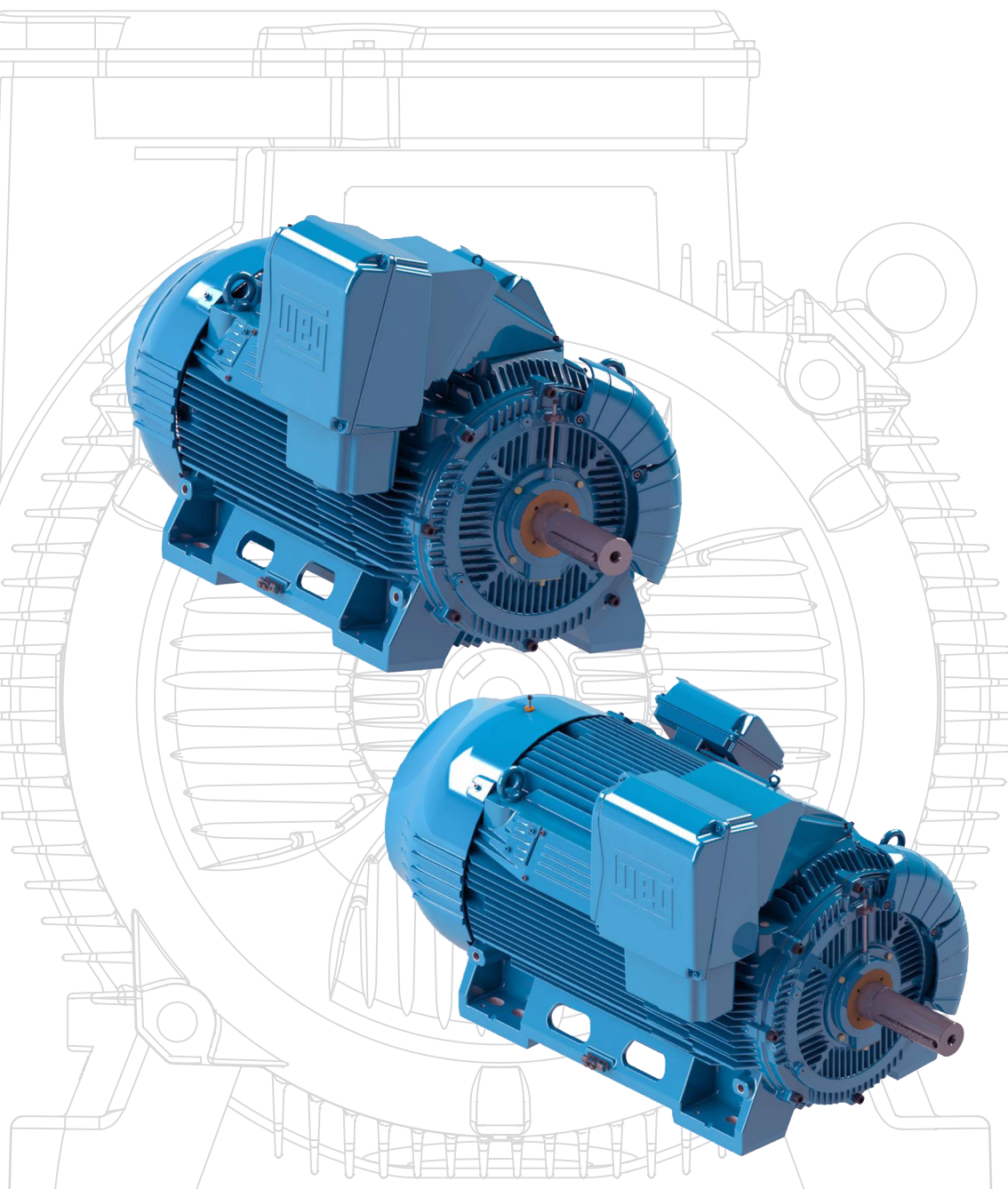


Medium Voltage STOCK MOTORS

TEFC - Severe Duty

**LATEST
TECHNOLOGY
IN STOCK!**

- Meets most relevant features of IEEE841
- Certified Class I, Div 2
- Inverter Rated without derate
- Modifications available from Stock



The New Generation of WEG Motors for Heavy Duty Applications



The TEFC MV motors are a product designed for industrial applications ensuring high performance and reliability even under the most severe operating conditions. The application of state-of-art tools has produced an optimized and robust design suitable for the most severe industrial applications.

Applicable Industries

- General Industrial
- Steel
- Pulp & Paper
- Water & Wastewater
- Energy
- Cements & Aggregates
- Mining
- Oil and Gas



TEFC SEVERE DUTY MV MOTORS

Standard Features:

- Voltage: 2300/4160V
- Frequency: 60Hz
- 1.15SF at D.O.L. Starting and Safe Area
- Insulation Class F
- VPI Impregnation
- Class B Temperature Rise @ 1.00SF
- Class F Temperature Rise @ 1.15SF
- Aluminum Rotor (except where otherwise indicated)
- S1 Continuous Duty
- TEFC
- IP55 Protection Degree
- F1 Mounting
Field conversion from F1 to F2 mounting available for all motors 250HP and above
- D.O.L. Starting
- Direct coupling
- Direction of Rotation:
CW for 2P motors (250HP and above)
Both for 2P (200HP), 4P and 6P motors
- Altitude: 3300 f.a.s.l.
- Ambient temperature: 40°C
- NEMA Premium Efficiency (250HP and above)
- Grease lubricated Antifriction (ball) bearings
- 100,000hs L10 Bearings lifetime
- Final Color: Blue (RAL 5009)
- NEMA Type I Main Terminal Box (loose leads)
- Automatic grease relief
- Grounding lugs on both sides of the frame
- 36 Months Warranty from Manufacturing Date

Standard Accessories:

- RTD Pt100 Temperature Detectors (02 per phase and 01 per bearing)
- Space Heater, 120V
- Provision (flat surface) for vibration sensors
- Provision for dowel pins

Severe Duty Features:

- Most relevant features of IEEE841
- Vibration level as per IEEE841
- Stainless Steel extended grease pipes
- INPRO/SEAL on DE and NDE sides
- 0.005" feet flatness
- Automatic threaded drain type T-slot (stainless steel)
- IEEE841 Test reports

V.F.D. Operation Features:

- 1.00SF at V.F.D. Operation
- Class B Temperature Rise @ 1.00SF
- Suitable for V.F.D. Operation
10:1 VT with Class B temperature rise
2:1 CT with Class F temperature rise
- Electrically Insulated N.D.E. bearing
- Helwig Shaft Grounding brush (Add-on Modification)

Note: A method of reducing common mode voltages from motor terminals must be utilized.

Hazardous Area Features:

- 1.00SF at Hazardous Area
- Class B Temperature Rise @ 1.00SF
- CSA Certification: Class I, Div. 2, Gr. A, B, C and D, T3 (Except 600HP 6P – Safe Area only)
- Non-sparking external fan

Add-on Modifications from Stock

Note: For Add-on modifications, see page 5.

Note: Special attention to Reciprocating Compressors applications where the motor design must be evaluated and confirmed in a case by case basis.





Medium Voltage Motors

HP	kW	RPM	NEMA Frame	Catalog Number	List Price	Multiplier	Approx. Shipping Weight (lbs)	Service Factor	FL. Eff (%)		“C” Dimension (in)	Voltage (V)	Notes
									2300V	4160V			
150	110	3600	L447/9TS	20036ET3XL449-W22MV-R	\$38,054	MAQ2	2758	1.15	93.20	93.00	53.431	2300/4160	
150	110	1800	L447/9T	20018ET3XL449-W22MV-R	\$37,790	MAQ2	2608	1.15	93.30	93.30	57.181	2300/4160	
150	110	1200	L447/9T	20012ET3XL449-W22MV-R	\$43,039	MAQ2	2720	1.15	93.60	93.60	57.181	2300/4160	
200	150	3600	L447/9TS	20036ET3XL449-W22MV	\$38,054	MAQ2	2758	1.15	94.10	94.00	53.431	2300/4160	
200	150	1800	L447/9T	20018ET3XL449-W22MV	\$37,790	MAQ2	2608	1.15	93.80	93.80	57.181	2300/4160	
200	150	1200	L447/9T	20012ET3XL449-W22MV	\$43,039	MAQ2	2720	1.15	93.60	93.60	57.181	2300/4160	
250	185	3600	5009/10	25036ET3X5009-W50MV	\$42,512	MAQ2	4272	1.15	95.00	95.00	64.159	2300/4160	
250	185	1800	5009/10	25018ET3X5009-W50MV	\$42,249	MAQ2	4457	1.15	95.00	95.00	70.035	2300/4160	
250	185	1200	5009/10	25012ET3X5009-W50MV	\$48,810	MAQ2	4567	1.15	95.00	95.00	70.035	2300/4160	
300	220	3600	5009/10	30036ET3X5009-W50MV	\$51,698	MAQ2	4345	1.15	95.00	95.00	64.159	2300/4160	
300	220	1800	5009/10	30018ET3X5009-W50MV	\$47,239	MAQ2	4283	1.15	95.00	95.00	70.035	2300/4160	
300	220	1200	5009/10	30012ET3X5009-W50MV	\$55,371	MAQ2	4821	1.15	95.00	95.00	70.035	2300/4160	
350	260	3600	5009/10	40036ET3X5009-W50MV-R	\$61,669	MAQ2	4707	1.15	95.00	95.00	64.159	2300/4160	2
350	260	1800	5009/10	40018ET3X5009-W50MV-R	\$60,848	MAQ2	4814	1.15	95.00	95.00	70.035	2300/4160	
350	260	1200	5009/10	35012ET3X5009-W50MV	\$61,532	MAQ2	4825	1.15	95.00	95.00	70.035	2300/4160	
400	300	3600	5009/10	40036ET3X5009-W50MV	\$61,669	MAQ2	4707	1.15	95.00	95.00	64.159	2300/4160	2
400	300	1800	5009/10	40018ET3X5009-W50MV	\$60,848	MAQ2	4814	1.15	95.00	95.00	70.035	2300/4160	
400	300	1200	5809/10	40012ET3X5809-W50MV	\$68,812	MAQ2	6503	1.15	95.00	95.00	77.964	2300/4160	
450	330	3600	5809/10	50036ET3X5809-W50MV-R	\$79,517	MAQ2	5915	1.15	95.20	95.20	71.089	2300/4160	
450	330	1800	5009/10	50018ET3X5009-W50MV-R	\$76,398	MAQ2	5008	1.15	95.00	95.00	70.035	2300/4160	2
450	330	1200	5809/10	50012ET3X5809-W50MV-R	\$89,970	MAQ2	6479	1.15	95.00	95.00	77.964	2300/4160	
500	370	3600	5809/10	50036ET3X5809-W50MV	\$79,517	MAQ2	5915	1.15	95.40	95.40	71.089	2300/4160	
500	370	1800	5009/10	50018ET3X5009-W50MV	\$76,398	MAQ2	5008	1.15	95.00	95.00	70.035	2300/4160	2
500	370	1200	5809/10	50012ET3X5809-W50MV	\$89,970	MAQ2	6479	1.15	95.00	95.00	77.964	2300/4160	
550	400	3600	5809/10	60036ET3X5809-W50MV-R	\$86,864	MAQ2	6359	1.15	95.40	95.40	71.089	2300/4160	2
550	400	1800	5809/10	60018ET3X5809-W50MV-R	\$91,633	MAQ2	6351	1.15	95.40	95.40	77.964	2300/4160	
550	400	1200	5809/10	60012ET3X5809-W50MV-R	\$105,217	MAQ2	6803	1.15	95.00	95.00	77.964	2300/4160	1, 2
600	440	3600	5809/10	60036ET3X5809-W50MV	\$86,864	MAQ2	6359	1.15	95.40	95.40	71.089	2300/4160	2
600	440	1800	5809/10	60018ET3X5809-W50MV	\$91,633	MAQ2	6351	1.15	95.40	95.40	77.964	2300/4160	
600	440	1200	5809/10	60012ET3X5809-W50MV	\$105,217	MAQ2	6803	1.15	95.00	95.00	77.964	2300/4160	1, 2
650	480	1800	6806/07	70018ET3X6806-W50MV-R	\$105,814	MAQ2	7686	1.15	95.40	95.40	78.224	2300/4160	2
650	480	1200	6808/09	70012ET3X6808-W50MV-R	\$117,307	MAQ2	9123	1.15	95.40	95.40	84.129	2300/4160	2
700	515	1800	6806/07	70018ET3X6806-W50MV	\$105,814	MAQ2	7686	1.15	95.40	95.40	78.224	2300/4160	2
700	515	1200	6808/09	70012ET3X6808-W50MV	\$117,307	MAQ2	9123	1.15	95.40	95.40	84.129	2300/4160	2
750	560	1800	6808/09	80018ET3X6808-W50MV-R	\$114,209	MAQ2	8704	1.15	95.40	95.40	84.129	2300/4160	
800	590	1800	6808/09	80018ET3X6808-W50MV	\$114,209	MAQ2	8704	1.15	95.40	95.40	84.129	2300/4160	

1) Motor suitable for Safe Area only.

2) Motor designed with copper bar rotor.

Please contact WEG for 50Hz MV motors from stock.



Add-On Modifications

Medium Voltage Motors

NEMA FRAME			L447/9T	L447/9T	5000	5000	5800	5800	6800
			2P - MV	4/6P - MV	2P - MV	4/6P - MV	2P - MV	4/6P - MV	4/6P - MV
REPLATE	ADD CUSTOMER PART NUMBER AND / OR OTHER CHANGES SUCH AS VOLTAGE, HZ, ETC. .								
MOD. NUMBER	NAMEPLATE								
N-30	Main Nameplate Change - Stainless Steel	NET	\$35.00	\$35.00	\$35.00	\$35.00	\$35.00	\$35.00	\$35.00
N-40	Additional Nameplate - Stainless Steel	NET	\$35.00	\$35.00	\$35.00	\$35.00	\$35.00	\$35.00	\$35.00
ELECTRICAL ADD-ON'S	INSTALLATION OF ENCODER								
E-100	Installation of Encoder - Dynapar HSD38 1024PPR & 5/8" stub shaft	LIST	\$1,145.00	\$1,145.00	\$1,876.00	\$1,876.00	\$2,176.00	\$2,176.00	\$2,426.00
E-120	Installation of Encoder - Additional Kit Required for Motors with Forced Ventilation (Motors designed with Ball Bearing at DE side)	LIST	\$680.00	\$680.00	\$1,064.00	\$1,064.00	\$1,157.00	\$1,157.00	\$1,203.00
E-130	Installation of Encoder - Additional Kit Required for Motors with Forced Ventilation (Motors designed with Roller Bearing at DE side)	LIST	N/A	\$876.00	N/A	\$1,089.00	N/A	\$1,218.00	\$1,263.00
C-FLANGE KIT	INSTALLATION OF C-FLANGE KITS								
C-90	Installation of C-FLANGE	LIST	\$1,793.00	\$1,793.00	\$3,071.00	\$3,071.00	\$3,517.00	\$3,517.00	\$4,190.00
D-FLANGE KIT	INSTALLATION OF D-FLANGE KITS								
D-130	Installation of D-FLANGE	LIST	\$1,711.00	\$1,711.00	\$2,613.00	\$2,613.00	\$3,041.00	\$3,041.00	\$3,421.00
COOLING	INSTALLATION OF BLOWER KIT (FORCED VENTILATION) AND CHANGE DIRECTION OF ROTATION								
F-210	Forced Ventilation (230/460V 60Hz): Blower Cooling (w/o Encoder) (Safe Area)	LIST	\$2,449.00	\$2,449.00	\$4,300.00	\$4,300.00	\$4,697.00	\$4,697.00	\$5,030.00
F-220	Forced Ventilation (240/480V 60Hz): Blower Cooling (w/o Encoder) (Hazardous Area)	LIST	N/A	N/A	\$4,576.00	\$4,576.00	\$5,118.00	\$5,118.00	\$5,625.00
F-230	Change Direction of Rotation - CCW External Fan for 2P motors	LIST	N/A	N/A	\$1,064.00	N/A	\$1,170.00	N/A	N/A
BEARINGS	BEARING CHANGE OUTS & SHAFT GROUNDING MODIFICATION								
B-200	Ball to Roller Bearing Conversion	LIST	N/A	\$1,813.00	N/A	\$2,544.00	N/A	\$2,714.00	\$2,934.00
B-250	Installation of Helwig Grounding Brush (Includes Brush and Brush Holder - DE only)	LIST	\$1,385.00	\$1,385.00	\$1,385.00	\$1,385.00	\$1,385.00	\$1,385.00	\$1,385.00
MOUNTING	TERMINAL BOX								
M-280	F1 to F2 Mounting Conversion	LIST	\$524.00	\$524.00	\$839.00	\$839.00	\$839.00	\$839.00	\$839.00
M-330	Oversized NEMA Type II Main Terminal Box	LIST	N/A	N/A	\$3,504.00	\$3,504.00	\$3,504.00	\$3,504.00	\$3,504.00
M-320	Install terminal block in terminal box	LIST	N/A	N/A	\$2,790.00	\$2,790.00	\$2,790.00	\$2,790.00	\$2,790.00





Medium Voltage Motors Electrical Data 2300V

Rated Output		Full Load Speed (RPM)	NEMA Frame	Locked Rotor Current (2300V)		Full Load Amps	2300V		
HP	kW			kVA Code	II/In		Full Load Torque - Tn (lb.ft)	Locked Rotor Torque (TI/Tn)	Breakdown torque (Tb/Tn)
150	110	3586	L447/9TS	M	11.4	36.1	220	2.40	3.70
		1789	L447/9T	K	8.0	37.9	440	1.80	2.80
		1189	L447/9T	K	7.7	40.4	662	2.00	2.80
200	150	3580	L447/9TS	K	8.7	47.1	293	1.80	2.80
		1786	L447/9T	G	6.0	48.4	588	1.40	2.10
		1185	L447/9T	G	6.0	51.6	886	1.50	2.10
250	185	3574	5009/10	G	6.4	55.5	367	1.00	2.10
		1783	5009/10	G	6.2	58.2	736	1.40	2.20
		1188	5009/10	G	5.7	61.9	1105	1.40	2.10
300	220	3575	5009/10	G	6.5	65.3	441	1.00	2.10
		1782	5009/10	G	6.2	68.4	884	1.40	2.10
		1183	5009/10	G	5.8	73.6	1332	1.60	2.20
350	260	3575	5009/10	H	7.4	78.1	514	1.10	2.40
		1787	5009/10	H	6.7	83.8	1029	1.70	2.40
		1184	5009/10	G	5.7	87.0	1552	1.70	2.30
400	300	3571	5009/10	G	6.5	89.1	588	1.00	2.10
		1785	5009/10	G	6.0	94.4	1177	1.50	2.10
		1189	5809/10	G	5.8	100	1767	1.50	2.10
450	330	3575	5809/10	H	7.2	98.9	661	1.30	2.65
		1789	5009/10	H	6.9	105	1321	0.90	2.65
		1192	5809/10	H	6.5	113	1982	1.65	2.30
500	370	3571	5809/10	G	6.5	109	735	1.20	2.40
		1787	5009/10	G	6.3	116	1469	0.80	2.40
		1191	5809/10	G	6.0	124	2205	1.50	2.10
550	400	3578	5809/10	H	7.4	121	807	1.20	2.50
		1788	5809/10	H	7.0	125	1615	1.85	2.40
		1193	5809/10	H	6.8	137	2421	1.00	2.70
600	440	3576	5809/10	G	6.7	132	881	1.10	2.30
		1786	5809/10	G	6.5	136	1764	1.70	2.20
		1192	5809/10	G	6.3	147	2643	0.90	2.50
650	480	1789	6806/07	H	6.9	152	1908	1.50	2.45
		1193	6808/09	H	7.0	149	2861	0.90	2.45
700	515	1789	6806/07	G	6.5	161	2055	1.40	2.30
		1193	6808/09	G	6.5	158	3081	0.85	2.30
750	560	1789	6808/09	H	6.8	180	2201	1.60	2.35
800	590	1789	6808/09	G	6.5	187	2348	1.50	2.20

Please contact WEG for 50Hz MV motors from stock.



Electrical Data 2300V (continued)

Rated Output		Efficiency (2300V)			Power Factor (2300V)			Moment of Inertia WK2 (lb.ft ²)	Approx. Weight (lb)	Approx. Sound Level dB(A)
		% of Full load								
HP	kW	50	75	100	50	75	100			
150	110	90.00	92.20	93.20	0.63	0.75	0.82	37.7	2536	88
		91.00	92.60	93.30	0.60	0.72	0.78	94.9	2386	79
		91.50	93.20	93.60	0.52	0.65	0.73	114.0	2498	71
200	150	92.40	93.60	94.10	0.72	0.82	0.85	37.7	2536	88
		92.60	93.80	93.80	0.70	0.79	0.83	94.9	2386	79
		92.80	93.60	93.60	0.63	0.73	0.78	114.0	2498	71
250	185	93.60	94.10	95.00	0.83	0.87	0.88	83.1	3803	79
		93.00	94.10	95.00	0.70	0.81	0.84	94.9	3971	79
		93.60	94.50	95.00	0.66	0.76	0.79	138.0	4081	77
300	220	93.60	94.10	95.00	0.83	0.88	0.89	88.5	3876	79
		93.60	94.10	95.00	0.74	0.82	0.85	114.0	3797	79
		93.60	94.50	95.00	0.66	0.74	0.79	159.0	4335	77
350	260	93.60	94.50	95.00	0.81	0.86	0.88	99.7	4238	79
		93.60	94.10	95.00	0.67	0.77	0.82	157.0	4328	79
		93.60	94.50	95.00	0.64	0.75	0.79	168.0	4339	77
400	300	94.10	94.50	95.00	0.83	0.87	0.89	99.7	4238	79
		94.10	94.50	95.00	0.72	0.80	0.84	157.0	4328	79
		94.10	94.50	95.00	0.67	0.76	0.79	382.0	5980	77
450	330	94.20	94.90	95.20	0.83	0.87	0.88	142.0	5415	82
		94.10	95.00	95.00	0.70	0.79	0.83	166.0	4522	79
		93.60	94.50	95.00	0.60	0.71	0.77	384.0	5956	77
500	370	94.50	95.00	95.40	0.85	0.89	0.89	142.0	5415	82
		94.50	95.00	95.00	0.73	0.81	0.84	166.0	4522	79
		94.10	94.50	95.00	0.63	0.73	0.79	384.0	5956	77
550	400	94.30	95.10	95.40	0.78	0.85	0.87	159.0	5859	82
		94.50	95.20	95.40	0.72	0.80	0.84	275.0	5828	82
		93.10	94.30	95.00	0.59	0.70	0.77	418.0	6280	77
600	440	94.70	95.40	95.40	0.80	0.86	0.88	159.0	5859	82
		95.00	95.40	95.40	0.75	0.81	0.85	275.0	5828	82
		93.30	94.50	95.00	0.62	0.73	0.79	418.0	6280	77
650	480	94.30	94.80	95.40	0.71	0.80	0.83	427.0	7074	82
		94.80	95.40	95.40	0.74	0.82	0.85	724.0	8500	81
700	515	94.50	95.00	95.40	0.73	0.81	0.84	427.0	7074	82
		95.00	95.40	95.40	0.75	0.83	0.86	724.0	8500	81
750	560	94.90	95.40	95.40	0.71	0.79	0.82	534.0	8081	82
800	590	95.00	95.40	95.40	0.72	0.80	0.83	534.0	8081	82

Please contact WEG for 50Hz MV motors from stock.





Medium Voltage Motors

Electrical Data - 4160V

Rated Output		Full Load Speed (RPM)	NEMA Frame	Locked Rotor Current (4160V)		Full Load Amps	4160V		
HP	kW			kVA Code	II/In		Full Load Torque - Tn (lb.ft)	Locked Rotor Torque (Tl/Tn)	Breakdown torque (Tb/Tn)
150	110	3587	L447/9TS	N	11.4	20.5	220	2.60	4.00
		1790	L447/9T	K	8.3	21.3	440	2.00	3.00
		1190	L447/9T	L	8.1	23.3	662	2.10	3.00
200	150	3582	L447/9TS	N	8.7	26.4	293	2.00	3.00
		1787	L447/9T	H	6.5	27.4	588	1.50	2.30
		1186	L447/9T	H	6.5	29.3	886	1.60	2.30
250	185	3576	5009/10	H	7.5	30.7	367	1.10	2.20
		1785	5009/10	H	6.8	32.2	735	1.50	2.30
		1189	5009/10	H	6.4	34.6	1104	1.60	2.20
300	220	3576	5009/10	H	7.3	36.1	441	1.10	2.30
		1784	5009/10	G	6.5	38.3	883	1.50	2.20
		1185	5009/10	H	6.4	41.2	1329	1.70	2.30
350	260	3577	5009/10	J	8.2	43.2	514	1.25	2.50
		1788	5009/10	J	7.5	47.5	1028	1.90	2.50
		1185	5009/10	H	6.3	48.7	1551	1.80	2.50
400	300	3573	5009/10	H	7.2	49.2	588	1.10	2.20
		1786	5009/10	H	6.7	52.8	1176	1.70	2.20
		1190	5809/10	H	6.3	56.2	1765	1.70	2.20
450	330	3577	5809/10	J	8.2	54.7	661	1.40	2.85
		1789	5009/10	J	7.6	58.8	1321	1.00	2.85
		1192	5809/10	J	7.0	64.3	1982	1.75	2.45
500	370	3574	5809/10	H	7.4	60.5	735	1.30	2.60
		1787	5009/10	H	6.8	65.1	1469	0.90	2.60
		1191	5809/10	H	6.5	70.2	2205	1.60	2.20
550	400	3580	5809/10	J	8.0	68.5	807	1.30	2.70
		1789	5809/10	J	7.8	70.1	1614	1.95	2.50
		1193	5809/10	J	7.1	77.9	2421	1.10	2.90
600	440	3578	5809/10	H	7.2	74.4	881	1.20	2.50
		1787	5809/10	H	7.0	76.2	1763	1.80	2.30
		1192	5809/10	H	6.5	83.5	2643	1.00	2.70
650	480	1790	6806/07	J	7.6	85.2	1907	1.60	2.55
		1193	6808/09	J	7.8	83.1	2861	1.00	2.55
700	515	1790	6806/07	H	6.8	90.3	2054	1.50	2.40
		1193	6808/09	H	7.0	88.1	3081	0.95	2.40
750	560	1790	6808/09	J	7.5	101	2200	1.80	2.45
800	590	1790	6808/09	H	7.0	105	2347	1.70	2.30

Please contact WEG for 50Hz MV motors from stock.



Electrical Data 4160V (continued)

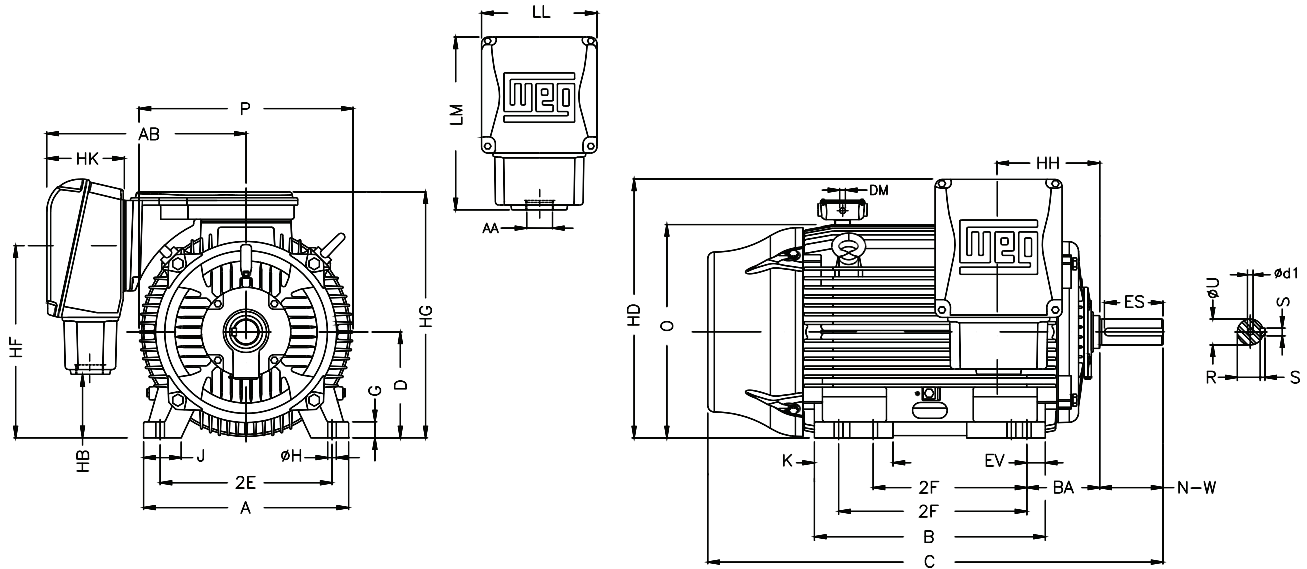
Rated Output		Efficiency (4160V)			Power Factor (4160V)			Moment of Inertia WK2 (lb.ft ²)	Approx. Weight (lb)	Approx. Sound Level dB(A)
HP	kW	% of Full load								
		50	75	100	50	75	100			
150	110	89.60	91.90	93.00	0.60	0.72	0.80	37.7	2536	88
		91.00	92.60	93.30	0.57	0.69	0.77	94.9	2386	79
		91.50	93.20	93.60	0.48	0.61	0.70	114.0	2498	71
200	150	92.10	93.40	94.00	0.70	0.80	0.84	37.7	2536	88
		92.60	93.80	93.80	0.67	0.77	0.81	94.9	2386	79
		92.80	93.60	93.60	0.59	0.70	0.76	114.0	2498	71
250	185	93.60	94.10	95.00	0.83	0.87	0.88	83.1	3803	79
		93.00	94.10	95.00	0.70	0.81	0.84	94.9	3971	79
		93.60	94.50	95.00	0.63	0.74	0.78	138.0	4081	77
300	220	93.60	94.10	95.00	0.83	0.87	0.89	88.5	3876	79
		93.60	94.10	95.00	0.72	0.81	0.84	114.0	3797	79
		93.60	94.50	95.00	0.63	0.73	0.78	159.0	4335	77
350	260	93.60	94.50	95.00	0.80	0.86	0.88	99.7	4238	79
		93.60	94.10	95.00	0.65	0.76	0.80	157.0	4328	79
		93.60	94.50	95.00	0.61	0.71	0.78	168.0	4339	77
400	300	94.10	94.50	95.00	0.82	0.87	0.89	99.7	4238	79
		94.10	94.50	95.00	0.70	0.79	0.83	157.0	4328	79
		94.10	94.50	95.00	0.64	0.74	0.78	382.0	5980	77
450	330	94.20	94.90	95.20	0.82	0.87	0.88	142.0	5415	82
		94.10	95.00	95.00	0.67	0.77	0.82	166.0	4522	79
		93.60	94.50	95.00	0.58	0.68	0.75	384.0	5956	77
500	370	94.50	95.00	95.40	0.84	0.89	0.89	142.0	5415	82
		94.50	95.00	95.00	0.71	0.80	0.83	166.0	4522	79
		94.10	94.50	95.00	0.60	0.71	0.77	384.0	5956	77
550	400	94.30	95.10	95.40	0.75	0.82	0.85	159.0	5859	82
		94.50	95.20	95.40	0.71	0.79	0.83	275.0	5828	82
		93.10	94.30	95.00	0.56	0.68	0.75	418.0	6280	77
600	440	94.70	95.40	95.40	0.77	0.83	0.86	159.0	5859	82
		95.00	95.40	95.40	0.73	0.80	0.84	275.0	5828	82
		93.30	94.50	95.00	0.58	0.71	0.77	418.0	6280	77
650	480	94.30	94.80	95.40	0.69	0.79	0.82	427.0	7074	82
		94.80	95.40	95.40	0.72	0.81	0.84	724.0	8500	81
700	515	94.50	95.00	95.40	0.71	0.80	0.83	427.0	7074	82
		95.00	95.40	95.40	0.74	0.82	0.85	724.0	8500	81
750	560	94.90	95.40	95.40	0.68	0.77	0.81	534.0	8081	82
800	590	95.00	95.40	95.40	0.70	0.79	0.82	534.0	8081	82

Please contact WEG for 50Hz MV motors from stock.



Medium Voltage Motors

Mechanical Data

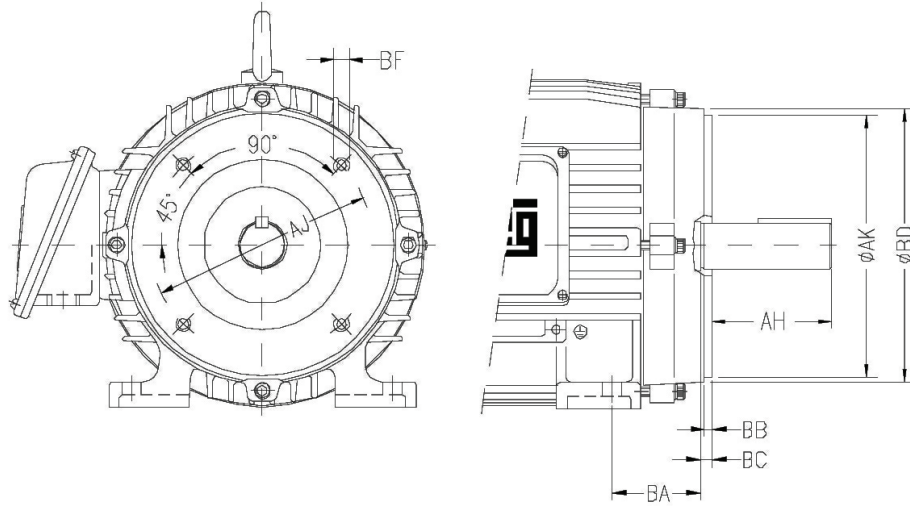


NEMA	Mounting														
	FRAME	2E	2F	EV	H	BA	A	B	C	D	G	J	K	O	P
	L447/9T	18	20	2.638	0.81	7.5	21.929	31.535	57.181	11	1.63	3.937	8.78	23.874	25.866
L447/9TS	25		53.431												

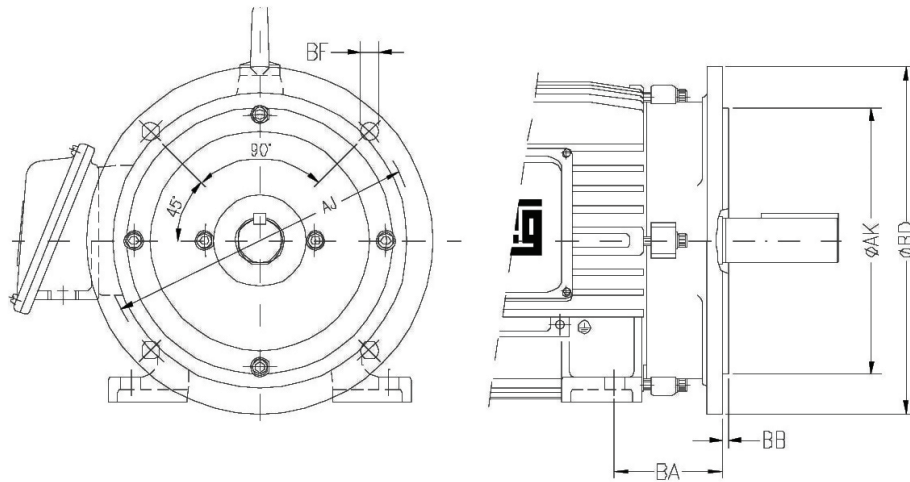
NEMA	KEYWAY				SHAFT EXTENSION	
	FRAME	S	R	ES	N-W	U
	L447/9T	0.875	2.88	7.087	8.5	3.375
L447/9TS	0.625	2.021	3	4.75	2.375	

NEMA	TERMINAL BOX												BEARINGS		
	FRAME	AB	HB	HD	HF	HG	HH	HK	LL	LM	AA	DM	d1	D.E.	N.D.E.
	L447/9T	28.543	2.125	30.906	21.024	28.236	11.5	14.291	18.11	28.74	1 x NPT 3"	2 x NPT 3/4"	DUNC 3/4"-10	6322-C3	6319-C3
L447/9TS	6314-C3													6314-C3	





NEMA	"C" FLANGE DIMENSIONS								
	FRAME	BA	AJ	AK	BD	BF	BB	BC	AH
	L447/9T L447/9TS	7.5	14	16	17.91	UNC 5/8" x 11	0.25	0.25	8.25



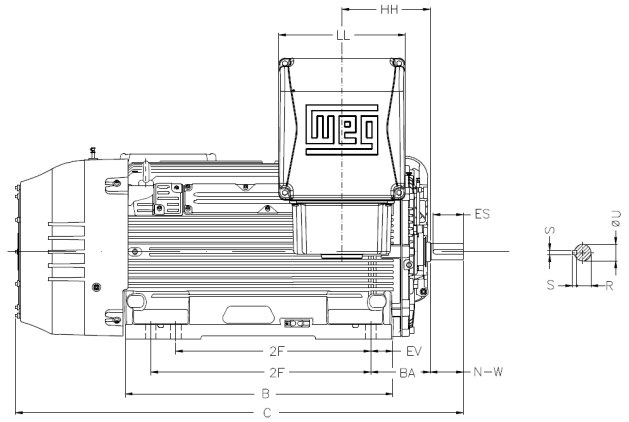
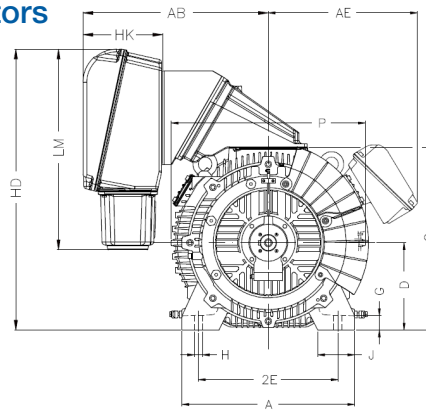
NEMA	"D" FLANGE DIMENSIONS						
	FRAME	BA	AJ	AK	BD	BF	BB
	L447/9T L447/9TS	7.5	20	18	21.65	0.828	0.203





Medium Voltage Motors

Mechanical Data



MOUNTING																
NEMA	FRAME	Speed	2E	2F	EV	H	BA	A	B	C	D	G	J	K	O	P
	5009/10	2P	4P & 6P	20	28.000 / 32.000	3.151	1.181	8.503	24.724	38.585	64.159	12.5	2.073	5.279	11.12	26.083
4P & 6P		8.504			70.035											
5809/10	2P	4P & 6P	23	32.000 / 36.000	3.491	1.181	10	29.506	42.415	71.089	14.5	2.498	5.793	11.596	30.051	31.086
	4P & 6P			77.964												
6806/07	4P	4P & 6P	27	28.000 / 32.000	4.575	1.417	11.5	33.071	42.226	78.224	17	1.967	7.064	11.74	34.52	34.646
6808/09	4P & 6P			36.000 / 40.000										11.737		

NEMA	KEYWAY					SHAFT EXTENSION	
	FRAME	Speed	S	R	ES	N-W	U
	5009/10	2P	0.625	2.02	4.331	4.75	2.375
4P & 6P		0.875	3.134	9.055	10.625	3.625	
5809/10	2P	0.625	2.021	4.331	4.75	2.375	
	4P & 6P	1	3.309	9.843	11.625	3.875	
6806/07	4P	1	3.817	9.843	11.625	4.375	
6808/09	4P & 6P						

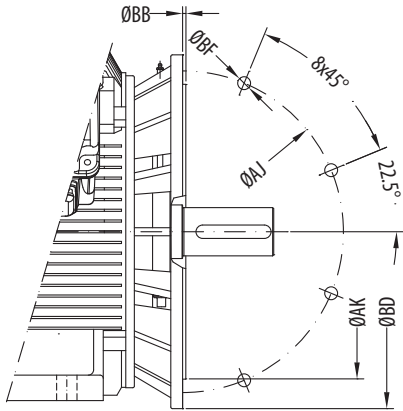
TERMINAL BOX												
NEMA	FRAME	Speed	AB	AE	HD	HH	HK	LL	LM	AA	DM	d1
	5009/10	2P	4P & 6P	26.536	21.343	40.196	12.638	11.41	18.11	28.712	1 x NPT 3"	3 x NPT 3/4"
4P & 6P		DUNC 7/8"-9										
5809/10	2P	4P & 6P	26.69	22.397	44.168	13.74	11.417	18.11	28.74	1 x NPT 3"	3 x NPT 3/4"	DUNC 3/4"-10
	4P & 6P											DUNC 7/8"-9
6806/07	4P & 6P	37.238	23.697	49.513	13.862	18.805	21.85	32.874	1 x NPT 3"	3 x NPT 3/4"	DUNC 1"-8	
6808/09												

NEMA	BEARINGS		D.E.	N.D.E.
	FRAME	Speed		
5009/10	5009/10	2P	6314-C3	6314-C3
		4P & 6P	6320-C3	6316-C3
5809/10	5809/10	2P	6314-C3	6314-C3
		4P & 6P	6322-C3	6319-C3
6806/07	6806/07	4P & 6P	6324-C3	6319-C3
6808/09				

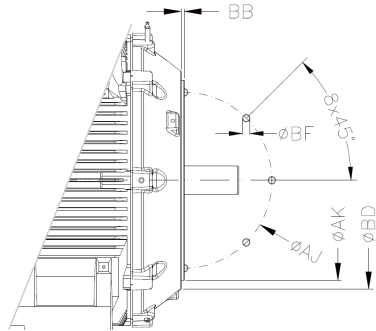


Medium Voltage Motors

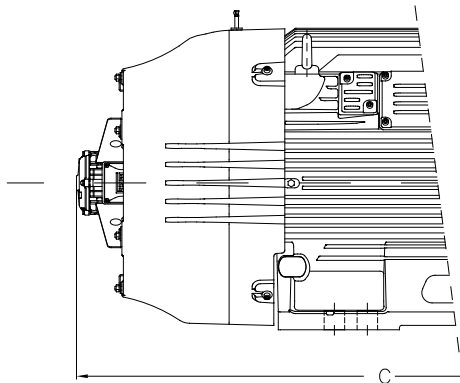
Mechanical Data



NEMA	"D" FLANGE DIMENSIONS						
	FRAME	FLANGE	BB	AJ	AK	BD	BF
5009/10	D-558	0.250	22.000	18.000	24.000	0.827	
5809/10	D-762	0.250	30.000	28.000	32.000	0.827	
6806/07	FF-940	0.250	35.252	33.250	37.250	1.000	
6808/09	FF-1080	0.250	35.252	33.250	37.250	1.000	



NEMA	"C" FLANGE DIMENSIONS						
	FRAME	FLANGE	BB	AJ	AK	BD	BF
5009/10	FC 368	0.250	14.500	16.500	17.913	UNC 5/8" x 11	
	FC 355	0.250	25.811	16.000	17.913	UNC 5/8" x 11	
5809/11	FC 368	0.250	14.500	16.500	17.913	UNC 5/8" x 11	



NEMA	MOTOR TOTAL LENGTH WITH INSTALLED BLOWER		
	FRAME	SPEED	C
5009/10		2P	70.577
		4P & 6P	76.432
5809/10		2P	77.486
		4P & 6P	84.361
6806/07		4P	84.621
6808/09		4P & 6P	90.527





WEG Soft Starter Selection Guide

Medium Voltage Motors

HP	kW	RPM	NEMA Frame	Catalog Number	FL Amps		FL Eff (%)		Voltage (V)	MV Soft Starter Catalog Number for 2300V Operation	MV Soft Starter Catalog Number for 4160V Operation
					2300V	4160V	2300V	4160V			
150	110	3600	L447/9TS	20036ET3XL449-W22MV-R	36.1	20.5	93.20	93.00	2300/4160	SSW7000C100T211N2	SSW7000C100T411N2
150	110	1800	L447/9T	20018ET3XL449-W22MV-R	37.9	21.3	93.30	93.30	2300/4160	SSW7000C100T211N2	SSW7000C100T411N2
150	110	1200	L447/9T	20012ET3XL449-W22MV-R	40.4	23.3	93.60	93.60	2300/4160	SSW7000C100T211N2	SSW7000C100T411N2
200	150	3600	L447/9TS	20036ET3XL449-W22MV	47.1	26.4	94.10	94.00	2300/4160	SSW7000C100T211N2	SSW7000C100T411N2
200	150	1800	L447/9T	20018ET3XL449-W22MV	48.4	27.4	93.80	93.80	2300/4160	SSW7000C100T211N2	SSW7000C100T411N2
200	150	1200	L447/9T	20012ET3XL449-W22MV	51.6	29.3	93.60	93.60	2300/4160	SSW7000C100T211N2	SSW7000C100T411N2
250	185	3600	5009/10	25036ET3X5009-W50MV	55.5	30.7	95.00	95.00	2300/4160	SSW7000C100T211N2	SSW7000C100T411N2
250	185	1800	5009/10	25018ET3X5009-W50MV	58.2	32.2	95.00	95.00	2300/4160	SSW7000C100T211N2	SSW7000C100T411N2
250	185	1200	5009/10	25012ET3X5009-W50MV	61.9	34.6	95.00	95.00	2300/4160	SSW7000C100T211N2	SSW7000C100T411N2
300	220	3600	5009/10	30036ET3X5009-W50MV	65.3	36.1	95.00	95.00	2300/4160	SSW7000C100T211N2	SSW7000C100T411N2
300	220	1800	5009/10	30018ET3X5009-W50MV	68.4	38.3	95.00	95.00	2300/4160	SSW7000C100T211N2	SSW7000C100T411N2
300	220	1200	5009/10	30012ET3X5009-W50MV	73.6	41.2	95.00	95.00	2300/4160	SSW7000C100T211N2	SSW7000C100T411N2
350	260	3600	5009/10	40036ET3X5009-W50MV-R	78.1	43.2	95.00	95.00	2300/4160	SSW7000C100T211N2	SSW7000C100T411N2
350	260	1800	5009/10	40018ET3X5009-W50MV-R	83.8	47.5	95.00	95.00	2300/4160	SSW7000C100T211N2	SSW7000C100T411N2
350	260	1200	5009/10	35012ET3X5009-W50MV	87.0	48.7	95.00	95.00	2300/4160	SSW7000C100T211N2	SSW7000C100T411N2
400	300	3600	5009/10	40036ET3X5009-W50MV	89.1	49.2	95.00	95.00	2300/4160	SSW7000C120T211N2	SSW7000C100T411N2
400	300	1800	5009/10	40018ET3X5009-W50MV	94.4	52.8	95.00	95.00	2300/4160	SSW7000C120T211N2	SSW7000C100T411N2
400	300	1200	5809/10	40012ET3X5809-W50MV	100	56.2	95.00	95.00	2300/4160	SSW7000C120T211N2	SSW7000C100T411N2
450	330	3600	5809/10	50036ET3X5809-W50MV-R	98.9	54.7	95.20	95.20	2300/4160	SSW7000C120T211N2	SSW7000C100T411N2
450	330	1800	5009/10	50018ET3X5009-W50MV-R	105	58.8	95.00	95.00	2300/4160	SSW7000C120T211N2	SSW7000C100T411N2
450	330	1200	5809/10	50012ET3X5809-W50MV-R	113	64.3	95.00	95.00	2300/4160	SSW7000C150T211N2	SSW7000C100T411N2
500	370	3600	5809/10	50036ET3X5809-W50MV	109	60.5	95.40	95.40	2300/4160	SSW7000C150T211N2	SSW7000C100T411N2
500	370	1800	5009/10	50018ET3X5009-W50MV	116	65.1	95.00	95.00	2300/4160	SSW7000C150T211N2	SSW7000C100T411N2
500	370	1200	5809/10	50012ET3X5809-W50MV	124	70.2	95.00	95.00	2300/4160	SSW7000C150T211N2	SSW7000C100T411N2
550	400	3600	5809/10	60036ET3X5809-W50MV-R	121	68.5	95.40	95.40	2300/4160	SSW7000C150T211N2	SSW7000C100T411N2
550	400	1800	5809/10	60018ET3X5809-W50MV-R	125	70.1	95.40	95.40	2300/4160	SSW7000C150T211N2	SSW7000C100T411N2
550	400	1200	5809/10	60012ET3X5809-W50MV-R	137	77.9	95.00	95.00	2300/4160	SSW7000C180T211N2	SSW7000C100T411N2
600	440	3600	5809/10	60036ET3X5809-W50MV	132	74.4	95.40	95.40	2300/4160	SSW7000C180T211N2	SSW7000C100T411N2
600	440	1800	5809/10	60018ET3X5809-W50MV	136	76.2	95.40	95.40	2300/4160	SSW7000C180T211N2	SSW7000C100T411N2
600	440	1200	5809/10	60012ET3X5809-W50MV	147	83.5	95.00	95.00	2300/4160	SSW7000C180T211N2	SSW7000C100T411N2
650	480	1800	6806/07	70018ET3X6806-W50MV-R	152	85.2	95.40	95.40	2300/4160	SSW7000C180T211N2	SSW7000C100T411N2
650	480	1200	6808/09	70012ET3X6808-W50MV-R	149	83.1	95.40	95.40	2300/4160	SSW7000C180T211N2	SSW7000C100T411N2
700	515	1800	6806/07	70018ET3X6806-W50MV	161	90.3	95.40	95.40	2300/4160	SSW7000C210T211N2	SSW7000C120T411N2
700	515	1200	6808/09	70012ET3X6808-W50MV	158	88.1	95.40	95.40	2300/4160	SSW7000C210T211N2	SSW7000C120T411N2
750	560	1800	6808/09	80018ET3X6808-W50MV-R	180	101	95.40	95.40	2300/4160	SSW7000C240T211N2	SSW7000C120T411N2
800	590	1800	6808/09	80018ET3X6808-W50MV	187	105	95.40	95.40	2300/4160	SSW7000C240T211N2	SSW7000C120T411N2

1. Power Factor Capacitors or Surge Arrestors CAN NOT be connected to motor during starting
2. Starting via soft starter reduces motor starting torque
3. Number of Starts are 2 starts per hour (30 minute pause between starts). For higher number of starts/hour, please contact WEG.
4. Motor cable length is limited to 330 feet. For longer cable length please contact WEG.
5. Temperature Measurement via RTD (8 channel) is available as Option
6. Soft-Starter typical delivery: Stock to 2 weeks.



LET US KNOW ABOUT YOUR APPLICATION

Please fill in and provide the below information (as much as possible) to ensure WEG's motor design matches your particular application.

Date: / /
 Submitted by: _____ E-mail: _____
 Customer/ Project: _____ Specification: _____
 Customer ref.: _____

MAIN FEATURES:

Quantity: _____ Voltage: _____
 Number of Poles: _____ Frequency: 60 Hz
 Output: _____ (kW/ HP)

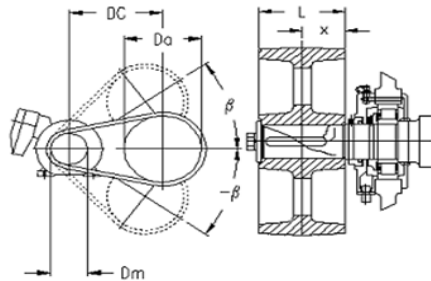
ADDITIONAL FEATURES:

Cooling System: TEFC
 Service Factor: _____
 Degree of Protection: IP55
 Starting Method: _____
 Temperature Rise: _____
 Ambient Temperature: _____
 Hazardous Area: Zone/ Division: _____

Rotation (facing DE): _____
 Duty Cycle: _____
 Starting Method: _____
 Speed Range (V.F.D.): _____
 Coupling: _____
 Altitude: _____
 Group/ Class: _____ Temp. Class: _____

Pulley and Belt Coupling:

Coupling Type:

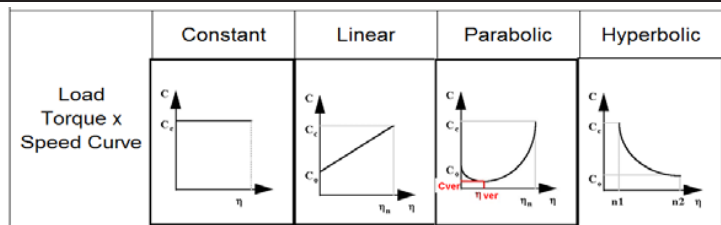


*DM = _____ [in]
 *Da = _____ [in]
 *DC = _____ [in]
 *L = _____ [in]
 *x = _____ [in]
 *β = _____ [degrees]
 *Weight = _____ [lb]
 *Number of Belts = _____
 *Type of Belt = _____

* Just for Pulley & Belt Coupling

LOAD DATA:

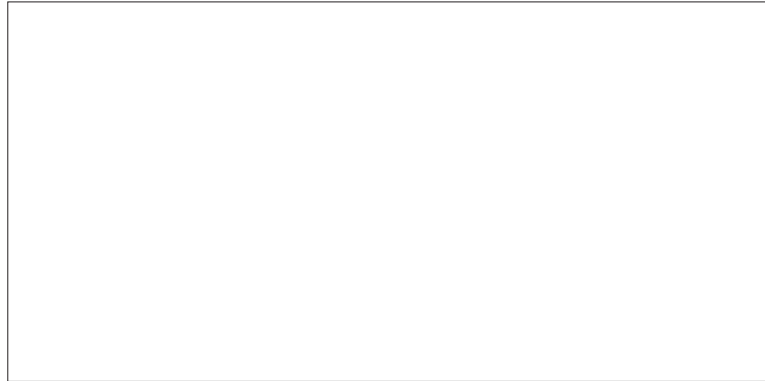
Driven Machine: _____
 Rotation (rpm): _____
 Inertia (J = sq.ft.lb): _____
 Torque x Speed Curve type: _____
 Absorbed Power: _____



ADD-ON MODIFICATIONS (Check as necessary):

- Main nameplate change
- Encoder Dynapar HSD38 1024ppr
- D-Flange
- Change Direction of Roation (2P motors only)
- Helwig Shaft grounding brush
- Oversized NEMA Type II Main terminal box
- Additional Nameplate
- C-Flange
- Forced Ventilation (Blower Cooling)
- Ball to Roller Bearing conversion
- F1 to F2 mounting conversion
- Terminal Block inside Main terminal box





WEG ELECTRIC CORP.
6655 Sugarloaf Parkway
Duluth, GA 30097
Phone: 1-800-ASK-4WEG
Fax: 678-249-1155
info-us@weg.net
www.weg.net/us

WEG Electric Corp. offers the following products, and more! With a full range of IEC/ NEMA Global Certifications and a full line of products, WEG can supply the right solution for your needs anywhere in the world. To learn more about WEG's products and solutions or to locate a Distributor near you, please call 1-800-ASK-4WEG or visit www.weg.net/us.

Low Voltage Motors,
Single and 3-Phase, 1/8 – 700HP
General Purpose Motors
Explosion Proof Motors
Crusher Duty Motors
IEC Tru-Metric Motors
Pump Motors including JP/JM
P-Base Pump Motors
Oil Well Pumping Motors
Pool & Spa Motors
Brake Motors
Compressor Duty Motors
Farm Duty Motors
Poultry Fan Motors
Auger Drive Motors
IEEE 841 Motors
Stainless Steel Wash Down Motors
Saw Arbor Motors
Cooling Tower Motors
Commercial HVAC Motors
Pad Mounted Motors
Vector Duty Motors

Large Electric Motors

Low Voltage 3-phase motors up to 2,500HP
Induction Motors up to 70,000HP and 13,200V
Wound Rotor Systems (including starters) up to 70,000HP and 13,200V
Synchronous Motors up to 200,000HP and 13,200V
Explosion proof motors (Ex-d) up to 1,500kW and 11kV
Ex-n, Ex-e, Ex-p motors

Variable Frequency Drives

Low Voltage 1/4 to 2500HP, 230V – 480V
Medium Voltage 500-10,000HP
Multi-pump systems
NEMA 4X
Dynamic braking resistors
Line and load reactors
Plug and play technology
Network communications: Profibus-DP, DeviceNet, Modbus-RTU
PLC functions integrated
Complete line of options and accessories

Soft Starters

3-1500HP
Oriented start-up
Built-in bypass contactor
Universal source voltage (230-575V, 50/60Hz)
Network communications: Profibus-DP, DeviceNet, Modbus-RTU
Complete Line of options and accessories

MV Soft-starter 3.3kV, 4.16kV: up to 3500HP, Withdrawable Power Stacks, & 8x PT100 Temperature monitoring

Controls

Mini – Contactors
IEC Contactors
Thermal Overload Relays
Manual Motor Protectors
Molded Case Circuit Breakers
Smart Relays
Enclosed Starters: combination & non-combination,
Pushbuttons & Pilot Lights
Timing & Motor Protection Relays
Terminal Blocks

Custom Panels

Custom configured to your specification.
NEMA 1, 12, 3R, 4 and 4X cabinets
Quick delivery of preconfigured drives
and soft starters
UL 508 certified
Low Voltage (230-460)
Made in the U.S.A.
Generators
Brushless Synchronous Generators for diesel gen-sets up to 4,200kVA
Hydro-generators up to 25,000kVA
Turbo-generators up to 175,000kVA

Power Transformers

Built and engineered in North America
Voltages < 345kV
Ratings 5-250MVA
Station class, oil filled, round core, copper windings
Special configurations and designs available! Ask your WEG Sales Representative for details.
Designed, built, and engineered to ANSI standards.
Custom Solution Package Sales
WEG can package any of its products for ease of sale! Enjoy a single point of contact for the entire package of products and assistance from quote through after-sales support. Ask your WEG Sales representative for details.