

# DATA SHEET



## Three Phase Induction Motor - Squirrel Cage

Customer	: Dealers Industrial Equipment 800-469-3110				
Customer reference	: 00136XT3E143T				
Product line	: W21 Explosion-proof Motor NEMA Premium Efficiency Three-Phase		Product code :	14458358	
			Catalog # :	00136XT3E143T	
Frame	: 143/5T		Locked rotor time	: 72s (cold) 40s (hot)	
Output	: 1 HP (0.75 kW)		Temperature rise	: 80 K	
Poles	: 2		Duty cycle	: Cont.(S1)	
Frequency	: 60 Hz		Ambient temperature	: -20°C to +40°C	
Rated voltage	: 208-230/460 V		Altitude	: 1000 m.a.s.l.	
Rated current	: 3.13-2.98/1.49 A		Protection degree	: IP55	
L. R. Amperes	: 28.1-26.8/13.4 A		Cooling method	: IC411 - TEFC	
LRC	: 9.0x(Code M)		Mounting	: F-1	
No load current	: 1.12-1.30/0.650 A		Rotation <sup>1</sup>	: Both (CW and CCW)	
Rated speed	: 3500 rpm		Noise level <sup>2</sup>	: 68.0 dB(A)	
Slip	: 2.78 %		Starting method	: Direct On Line	
Rated torque	: 1.48 ft.lb		Approx. weight <sup>3</sup>	: 71.3 lb	
Locked rotor torque	: 340 %				
Breakdown torque	: 400 %				
Insulation class	: F				
Service factor	: 1.15				
Moment of inertia (J)	: 0.0415 sq.ft.lb				
Design	: B				
Output	25%	50%	75%	100%	
Efficiency (%)	75.2	75.5	77.0	77.0	
Power Factor	0.40	0.65	0.76	0.82	
	Foundation loads				
			Max. traction	: 22 lb	
			Max. compression	: 94 lb	
		<u>Drive end</u>		<u>Non drive end</u>	
Bearing type	:	6205 2RS		6204 2RS	
Sealing	:	Oil Seal		Lip Seal	
Lubrication interval	:	-		-	
Lubricant amount	:	-		-	
Lubricant type	:	Mobil Polyrex EM			
Notes downloaded from <a href="http://dealerselectric.com">http://dealerselectric.com</a>					
This revision replaces and cancel the previous one, which must be eliminated. (1) Looking the motor from the shaft end. (2) Measured at 1m and with tolerance of +3dB(A). (3) Approximate weight subject to changes after manufacturing process. (4) At 100% of full load.			These are average values based on tests with sinusoidal power supply, subject to the tolerances stipulated in NEMA MG-1.		
Rev.	Changes Summary		Performed	Checked	Date
Performed by					
Checked by				Page	Revision
Date	11/04/2019			1 / 3	

# DATA SHEET



## Three Phase Induction Motor - Squirrel Cage

Customer : Dealers Industrial Equipment 800-469-3110  
Customer reference : 00136XT3E143T

### Thermal protection

ID	Application	Type	Quantity	Sensing Temperature
1	Winding	Thermostat - 2 wires	1 x Phase	155 °C

Rev.	Changes Summary	Performed	Checked	Date
Performed by				Page 2 / 3
Checked by				
Date	11/04/2019			
				Revision

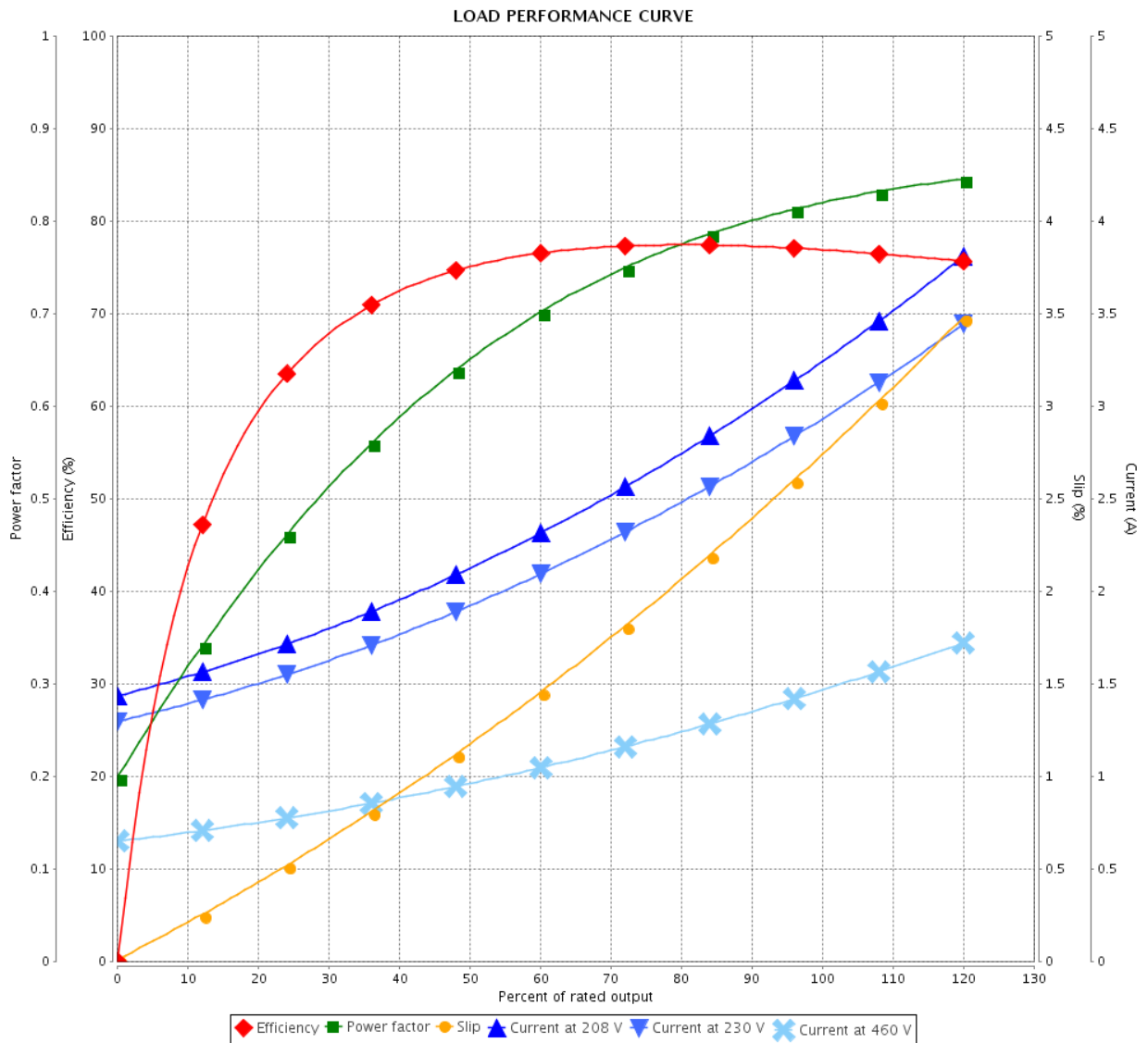
# LOAD PERFORMANCE CURVE



## Three Phase Induction Motor - Squirrel Cage

Customer : Dealers Industrial Equipment 800-469-3110  
 Customer reference : 00136XT3E143T

Product line : W21 Explosion-proof Motor NEMA Premium Efficiency Three-Phase    Product code : 14458358  
 Catalog # : 00136XT3E143T



Performance : 208-230/460 V 60 Hz 2P

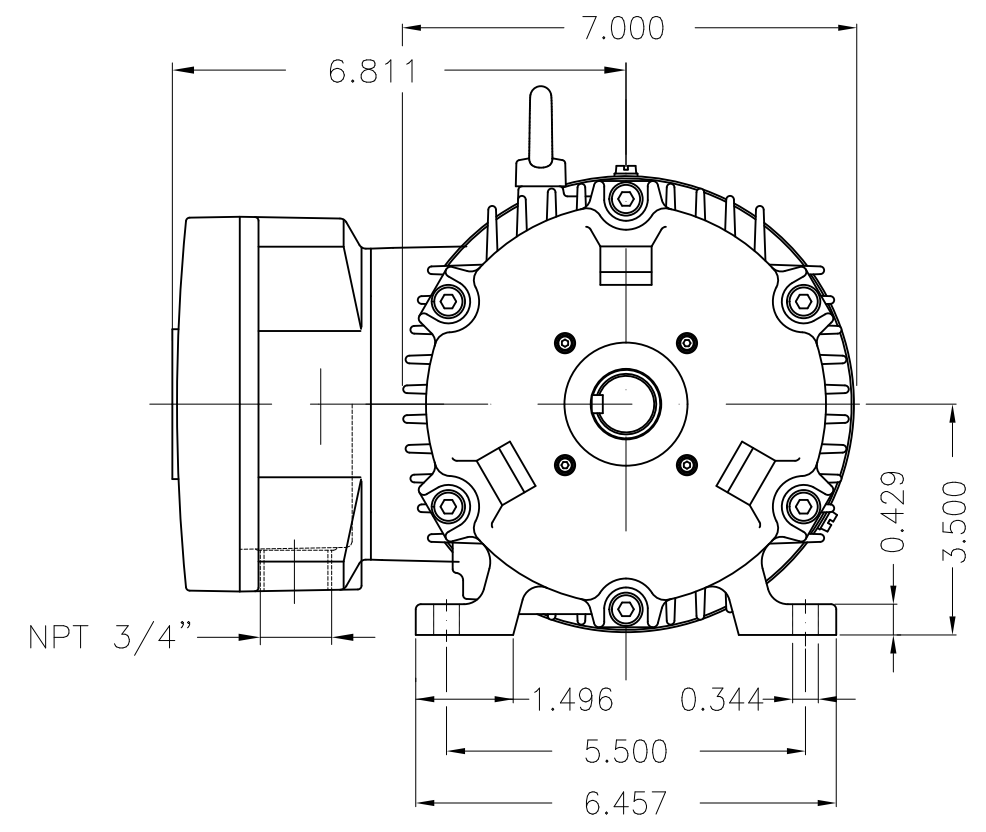
Rated current : 3.13-2.98/1.49 A  
 LRC : 9.0  
 Rated torque : 1.48 ft.lb  
 Locked rotor torque : 340 %  
 Breakdown torque : 400 %  
 Rated speed : 3500 rpm

Moment of inertia (J) : 0.0415 sq.ft.lb  
 Duty cycle : Cont.(S1)  
 Insulation class : F  
 Service factor : 1.15  
 Temperature rise : 80 K  
 Design : B

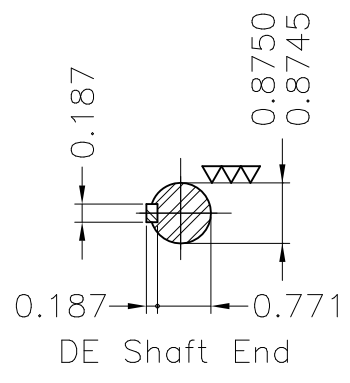
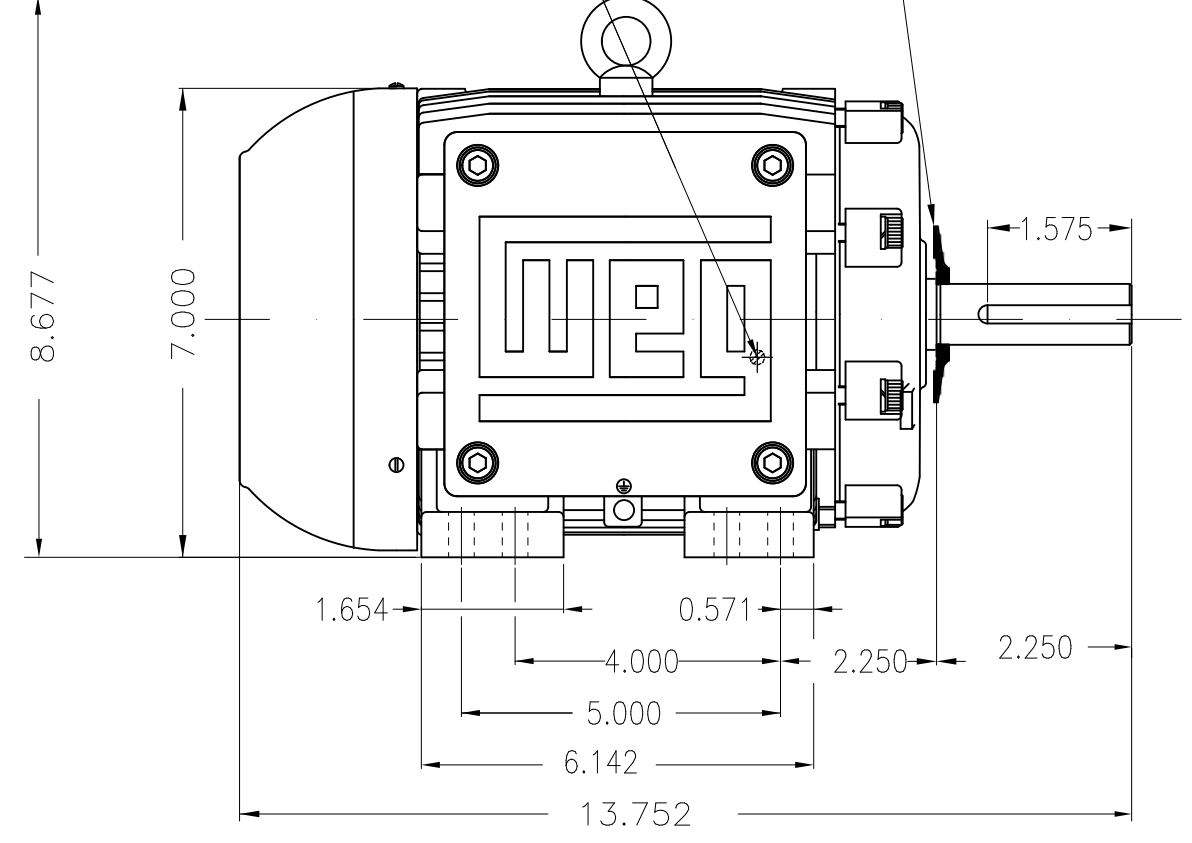
Rev.	Changes Summary	Performed	Checked	Date
Performed by			Page 3 / 3	Revision
Checked by				
Date	11/04/2019			

Dimensões em polegada  
Dimensions in inches

THIS IS AN UPDATED REVISION, THE  
PREVIOUS ONE MUST BE DISREGARDED.



Grounding for leads 0.5–6 mm<sup>2</sup> / 20–10 AWG Slinger (Rotating Seal)



Color RAL 5009  
Painting plan 202P  
Mounting B3R(D)

ECM	LOC	SUMMARY OF MODIFICATIONS	EXECUTED	CHECKED	RELEASED	DATE	VER
EXECUTED	USERADMIN	THREE PHASE EXPL. PROOF MOTOR NEMA P.EFF					
CHECKED		FRAME 143/5T IP55 TEFC					
RELEASED		WEG code: 14458358					
REL DT	11.04.2019	WMO Jaragua do Sul	Product Engineering	SHEET	1 / 1		

1 HP 02 Poles 60Hz

A

