

DATA SHEET



Three Phase Induction Motor - Squirrel Cage

Customer	: Dealers Industrial Equipment 800-469-3110				
Customer reference	: 00156XT3E143TC				
Product line	: W21 Explosion-proof Motor NEMA Premium Efficiency Three-Phase		Product code :	14371274	
			Catalog # :	00156XT3E143TC	
Frame	: 143/5TC		Locked rotor time	: 36s (cold) 20s (hot)	
Output	: 1.5 HP (1.1 kW)		Temperature rise	: 80 K	
Poles	: 2		Duty cycle	: Cont.(S1)	
Frequency	: 60 Hz		Ambient temperature	: -20°C to +40°C	
Rated voltage	: 208-230/460 V		Altitude	: 1000 m.a.s.l.	
Rated current	: 4.53-4.10/2.05 A		Protection degree	: IP55	
L. R. Amperes	: 41.7-37.7/18.9 A		Cooling method	: IC411 - TEFC	
LRC	: 9.2x(Code M)		Mounting	: F-1	
No load current	: 1.72-2.00/1.00 A		Rotation ¹	: Both (CW and CCW)	
Rated speed	: 3500 rpm		Noise level ²	: 68.0 dB(A)	
Slip	: 2.78 %		Starting method	: Direct On Line	
Rated torque	: 2.22 ft.lb		Approx. weight ³	: 71.9 lb	
Locked rotor torque	: 340 %				
Breakdown torque	: 440 %				
Insulation class	: F				
Service factor	: 1.15				
Moment of inertia (J)	: 0.0413 sq.ft.lb				
Design	: B				
Output	25%	50%	75%	100%	
Efficiency (%)	76.9	78.5	82.5	84.0	
Power Factor	0.38	0.62	0.73	0.80	
	Foundation loads				
			Max. traction	: 49 lb	
			Max. compression	: 121 lb	
		<u>Drive end</u>		<u>Non drive end</u>	
Bearing type	:	6205 2RS	:	6204 2RS	
Sealing	:	Oil Seal	:	Lip Seal	
Lubrication interval	:	-	:	-	
Lubricant amount	:	-	:	-	
Lubricant type	:	Mobil Polyrex EM			
Notes downloaded from http://dealerselectric.com					
This revision replaces and cancel the previous one, which must be eliminated. (1) Looking the motor from the shaft end. (2) Measured at 1m and with tolerance of +3dB(A). (3) Approximate weight subject to changes after manufacturing process. (4) At 100% of full load.			These are average values based on tests with sinusoidal power supply, subject to the tolerances stipulated in NEMA MG-1.		
Rev.	Changes Summary		Performed	Checked	Date
Performed by					
Checked by				Page	Revision
Date	11/04/2019			1 / 3	

DATA SHEET



Three Phase Induction Motor - Squirrel Cage

Customer : Dealers Industrial Equipment 800-469-3110
Customer reference : 00156XT3E143TC

Thermal protection

ID	Application	Type	Quantity	Sensing Temperature
1	Winding	Thermostat - 2 wires	1 x Phase	155 °C

Rev.	Changes Summary	Performed	Checked	Date
Performed by				
Checked by			Page	Revision
Date	11/04/2019		2 / 3	

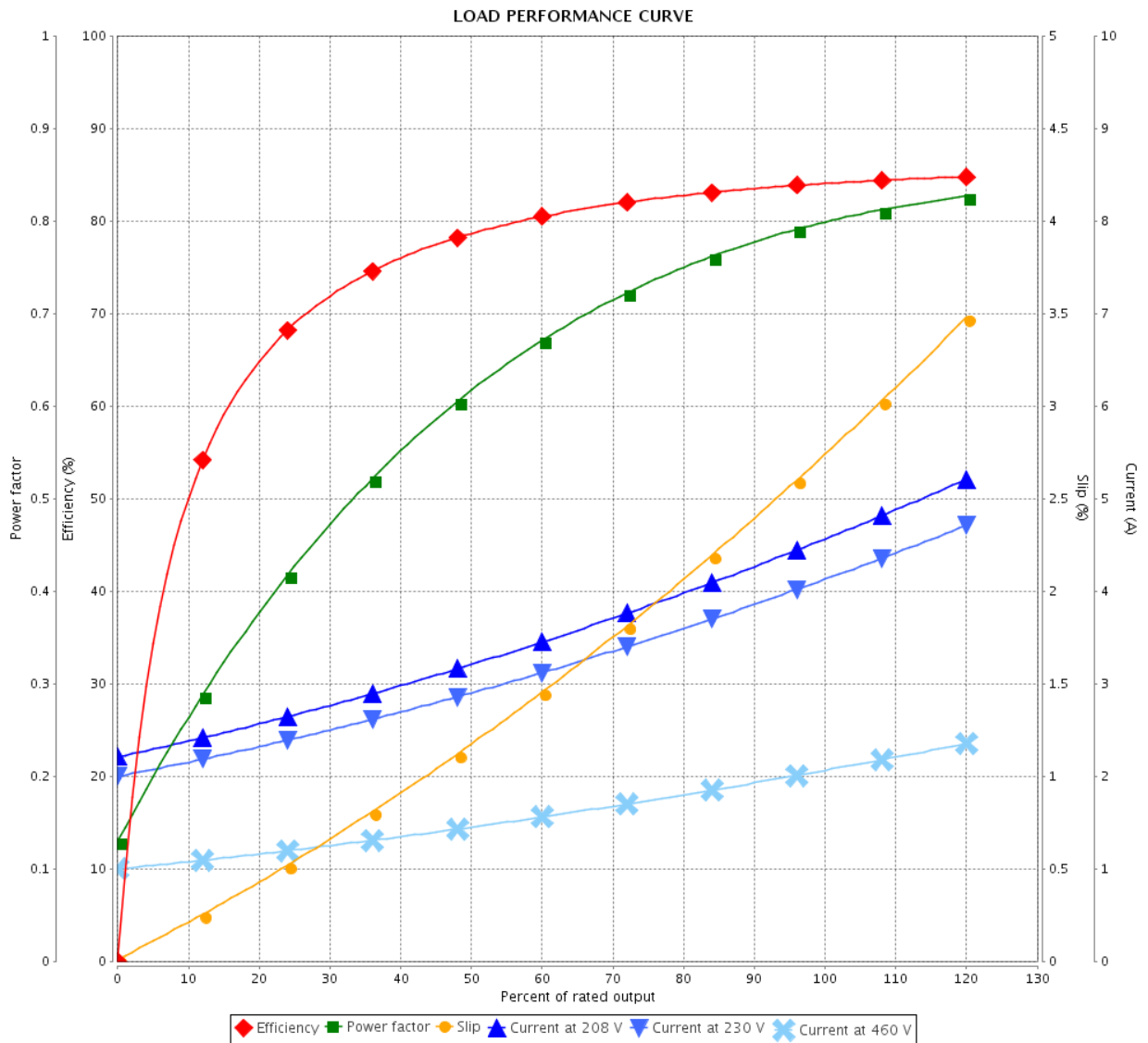
LOAD PERFORMANCE CURVE



Three Phase Induction Motor - Squirrel Cage

Customer : Dealers Industrial Equipment 800-469-3110
 Customer reference : 00156XT3E143TC

Product line : W21 Explosion-proof Motor NEMA Premium Efficiency Three-Phase Product code : 14371274
 Catalog # : 00156XT3E143TC



Performance : 208-230/460 V 60 Hz 2P

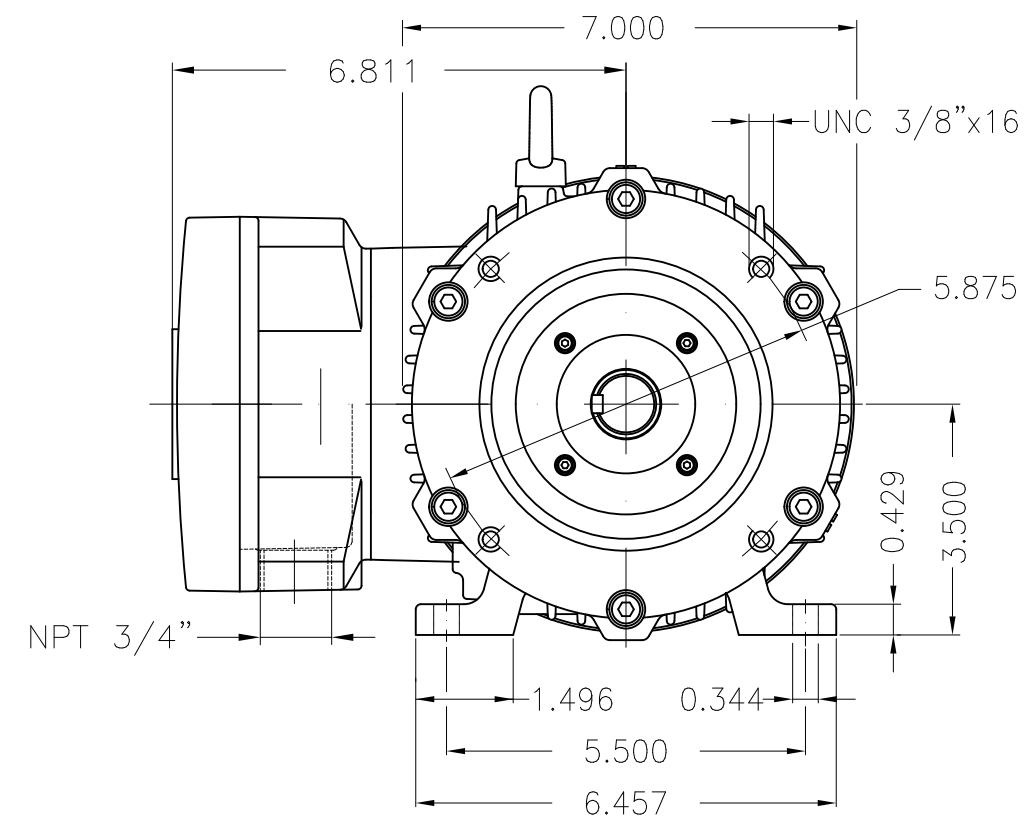
Rated current : 4.53-4.10/2.05 A
 LRC : 9.2
 Rated torque : 2.22 ft.lb
 Locked rotor torque : 340 %
 Breakdown torque : 440 %
 Rated speed : 3500 rpm

Moment of inertia (J) : 0.0413 sq.ft.lb
 Duty cycle : Cont.(S1)
 Insulation class : F
 Service factor : 1.15
 Temperature rise : 80 K
 Design : B

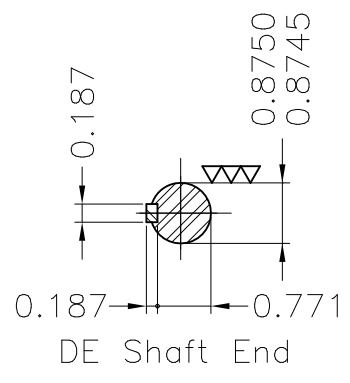
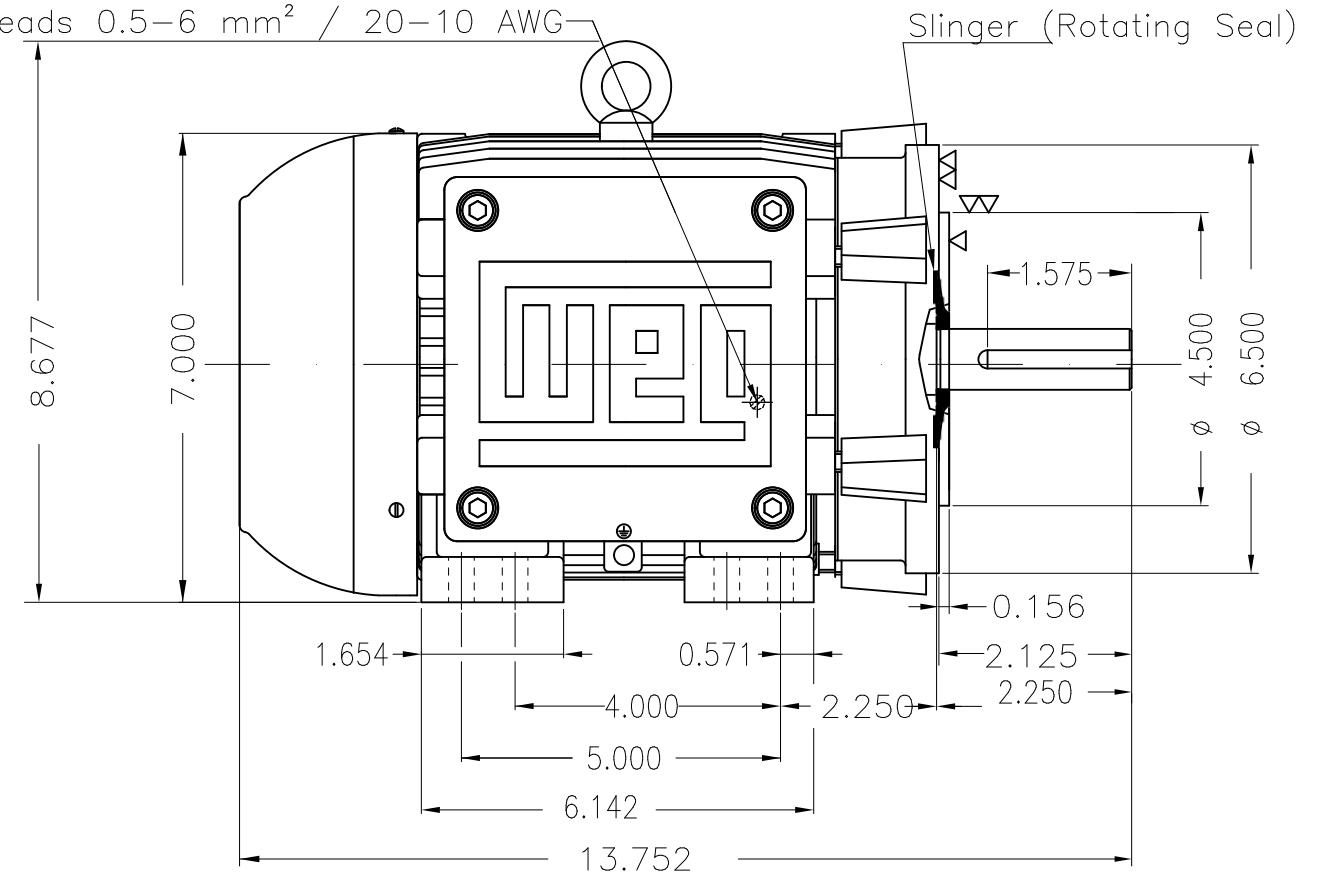
Rev.	Changes Summary	Performed	Checked	Date
Performed by		Page		Revision
Checked by		3 / 3		
Date		11/04/2019		

Dimensões em polegada
Dimensions in inches

THIS IS AN UPDATED REVISION, THE
PREVIOUS ONE MUST BE DISREGARDED.



Grounding for leads 0.5–6 mm² / 20–10 AWG



Color RAL 5009
Painting plan 202P
Mounting B34R(D)

ECM	LOC	SUMMARY OF MODIFICATIONS	EXECUTED	CHECKED	RELEASED	DATE	VER
EXECUTED	USERADMIN	THREE PHASE EXPL. PROOF MOTOR NEMA P.EFF					
CHECKED		FRAME 143/5TC IP55 TEFC					
RELEASED		WEG code: 14371274					
REL DT	11.04.2019	WMO Jaragua do Sul	Product Engineering	SHEET	1 / 1		

1.5 HP 02 Poles 60Hz

A

