

FRAME: 90B34

HP:

RPM:

PHASE: 3

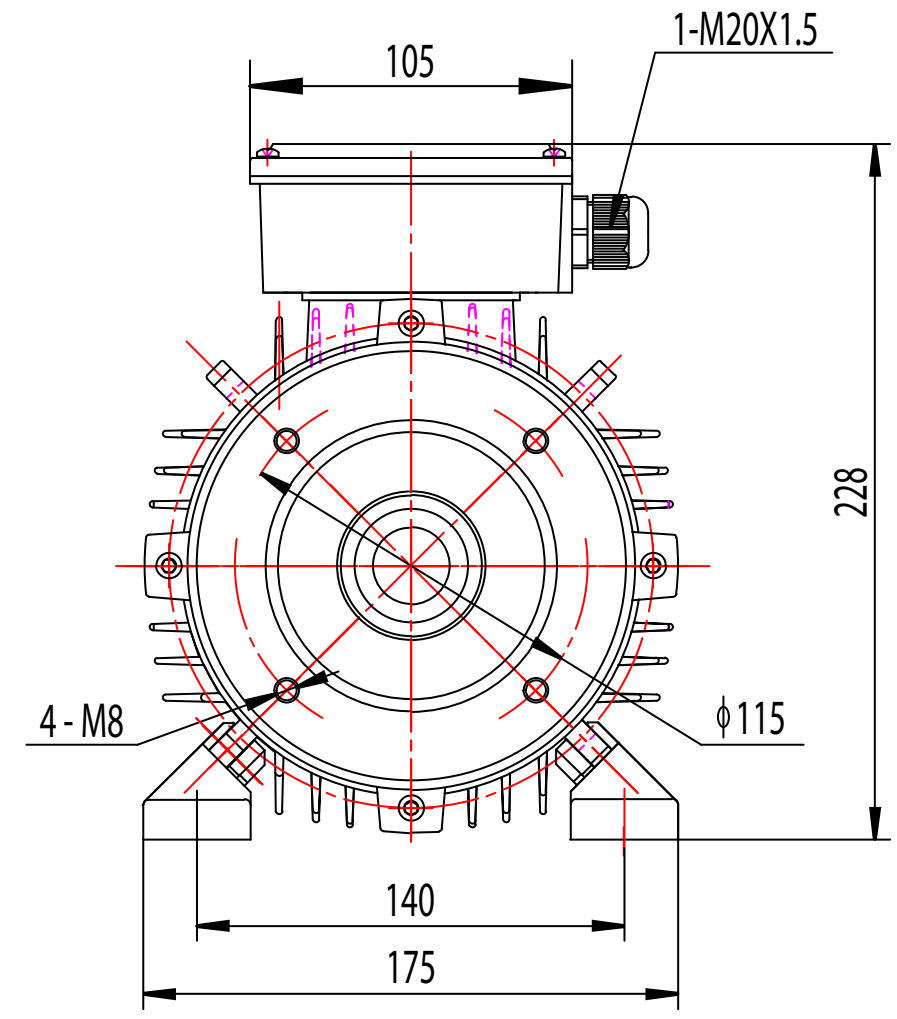
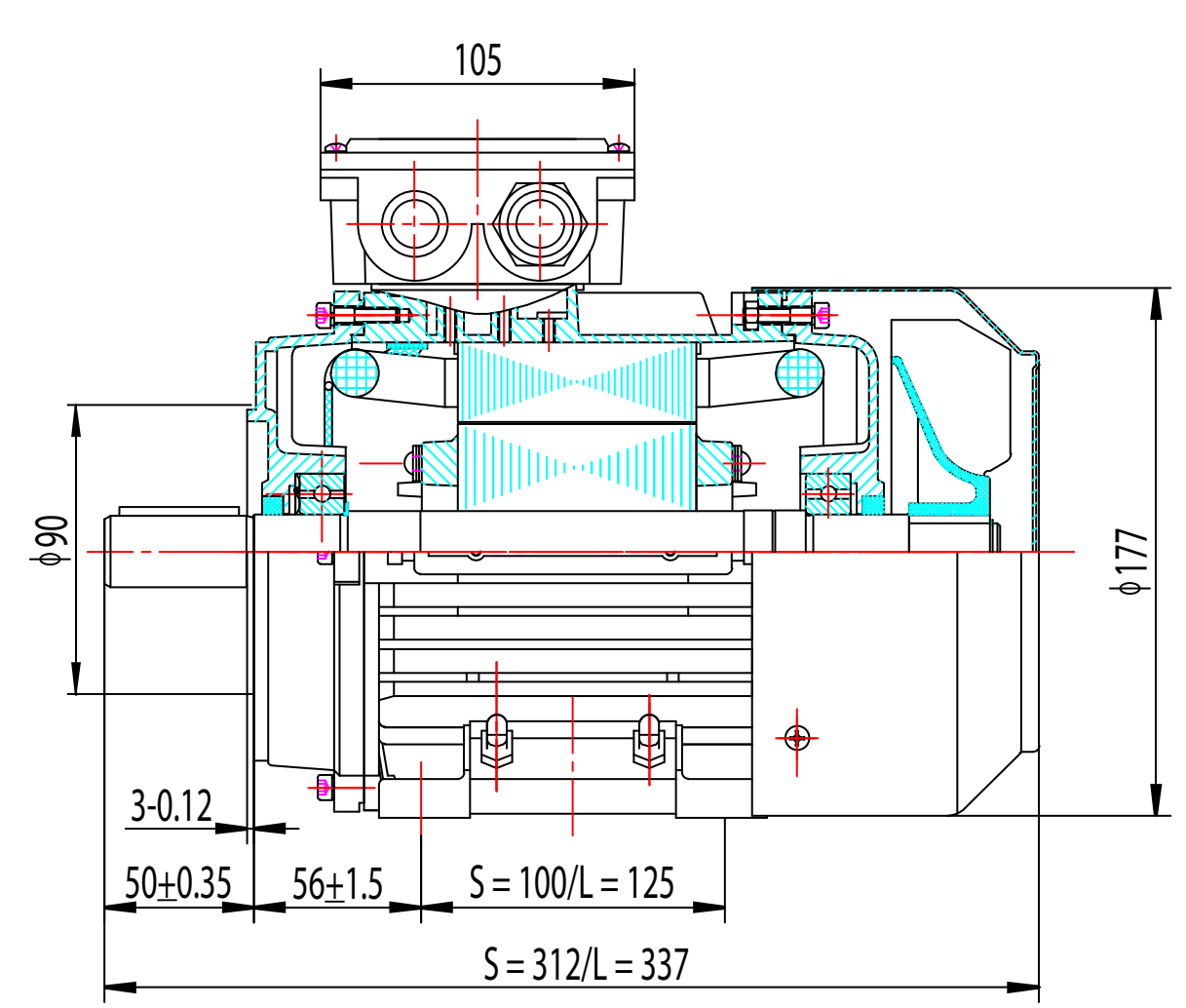
VOLT: 230/460V

ENCL: TEFC

FREQ: 60Hz

FLA:

LRA:



MODEL NUMBER:

TA 90B34

MFG PN:

REV.

BY

DATE

CHANGES

1
2
3
4
5
6
7

MATERIAL: ALUMINUM

UNITS: INCH BY: SSEE

DRAWN: 8/8/2017

WWW.TECHTOP.COM