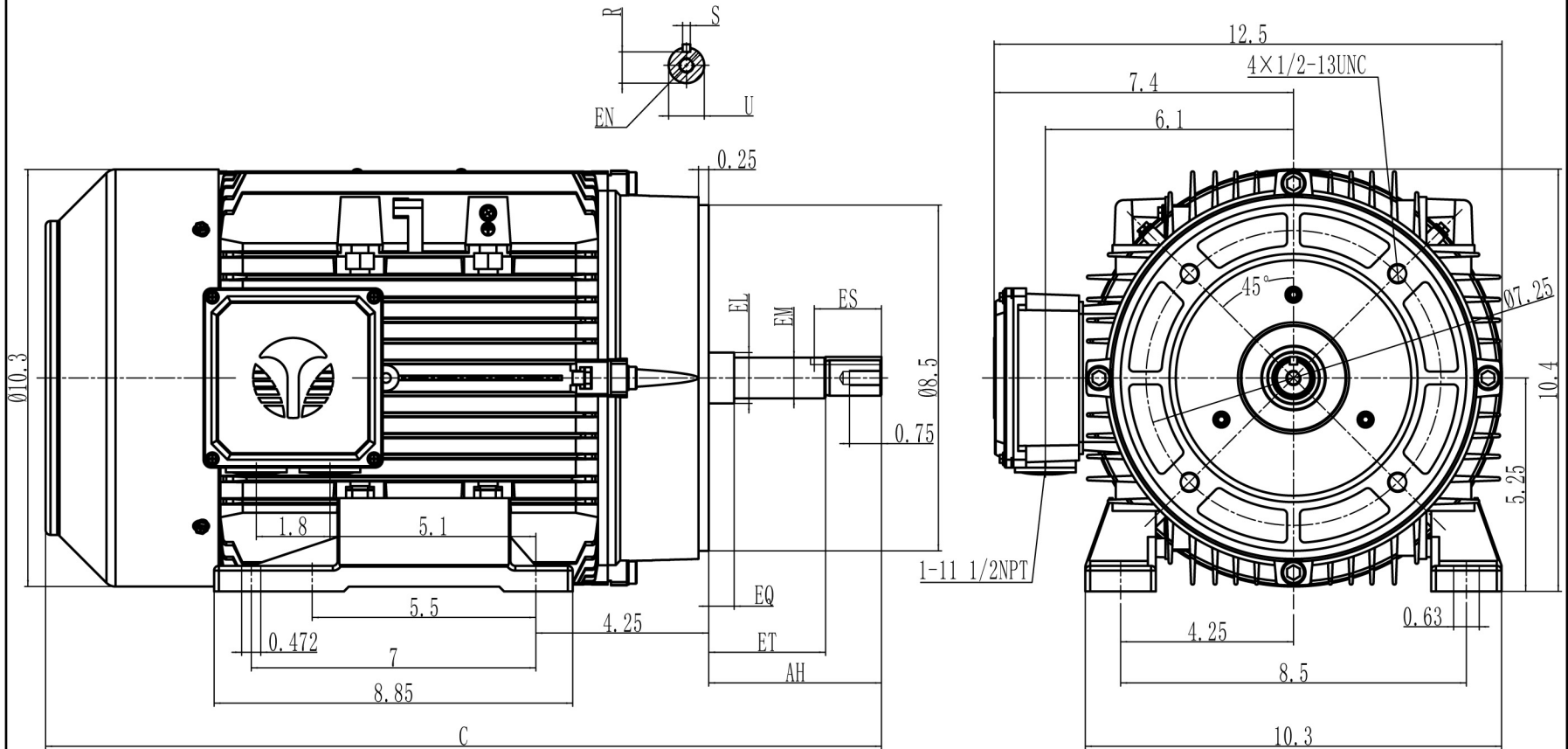


FRAME:    HP:    RPM:    PHASE:    VOLT:    ENCL:    FREQ:    FLA:    LRA:



MODEL	AH	EQ	ET	C	EL	EM	EN	ES	U	R	S
210JM	4.25	0.625	2.875	20.6	1.25	1.0	3/8-16UNC	1.65	0.8745	0.771	0.1875×0.1875×1.375
210JP	8.125	2.375	5.875	24.5	1.75	1.375	1/2-13UNC	2.53	1.2495	1.112	0.25×0.25×2.41



MODEL: NEMA210JM-JP  
REV.DESC:

SCALE: 1:2.5  
VERSION:

DATE:  
REVISED:

UNITS:  
BY:

WWW.TECHTOP.COM