

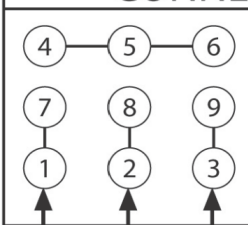
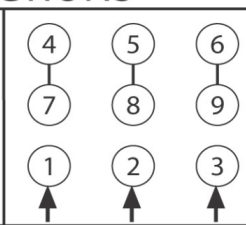


<b>Model Number:</b>	GR3-AL-TF-184JM-2-B-D-7.5
<b>MFG PN:</b>	1211
<b>List Price:</b>	

All data shown at HIGH voltage setting

Format: STD 3 Phase

Electrical Data				General Data			
Rated Motor Output Power	7.5	HP		Frame Size	184JM		
Rated Motor Speed	3510	r/min 60Hz		Enclosure	TEFC		
	2900	r/min 50Hz		Mounting	Rigid		
Rated Motor Voltage (3 Phase)	230/460	V/60Hz		NEMA Design	A		
	190/380	V/50Hz		IP Rating	55		
Rated Motor Current	17.1/8.55	A (In) @ 60Hz		Insulation Class	F		
	20.8/10.4	A (In) @ 50Hz		Tropicalization	1		
FL Current @ 208V	None	A (In) @ 60Hz		Duty	Cont. / S1		
Service Factor	1.25	@ 60Hz		Cable Entry	1-NPT 1■		
	1.25	@ 50Hz		Feet Removable	1		
KVA Code	L	60Hz		Double Drilled	0		
	J	50Hz		Frame Material	Cast Aluminum		
Nominal Efficiency	89.5	% @ 60Hz		Shaft Material	1045		
	88.3	% @ 50Hz		Coating	RAL	7024	
Nominal Power Factor	0.9	cosθ @ 60Hz					
Full Load Torque Ft-Lb	S			Mechanical Data			
Load Data	Trq Ft-Lb	Trq %FL	Current Amps	Bearing DE Side	6207ZZ		
Locked Rotor				Bearing NDE Side	6206ZZ		
Breakdown	41.55653793	187.0	-	Comp Ring (wavey washer)	NDE		
Pull Up	33.6825	225.0	-	Weight	75.0	Lbs	
Load Data	RPM	Eff %	Current Amps	Moment of Inertia	None	kg.m3	
125% of FL	3501.0	87.91	7.178	Site Conditions			
75% of FL	3542.0	88.8	4.599	Temp Rise @ Full Load °C	B	@ 60Hz	
50% of FL	3561.0	88.0	3.499	Ambient Temperature °C	40		
No Load	1199.0	0	3.5	Altitude Above Sea Level (M)	1000		
Brake Torque (N-M)	100.0	Loaded Torque Curves		None			
Brake Coil Voltage	None	P1 = Output Power (KW), S = Slip (% of Sync RPM), η = Efficiency (%), cosφ = Power Factor					

<b>CT VFD Range</b>	
Haz Loc Rating	
Options:	
<b>UL File Number</b>	
<b>CSA File Number</b>	
<b>DOE File Number</b>	
<b>CE APPROVAL</b>	
<b>Wiring Diagram</b>	<b>NEMA-3-9-YY-Y</b>
<b>3 Phase - YY/Y - 9 Lead</b>	
4,1 Blue / 5,2 White / 6,3 Org / 7 Yl / 8 Blk / 9 RD	
Cast Iron- 1,2,3 Top - 4,5,6,7,8,9 Bottom	
Aluminum - 4,5,6,8,9 Top - 1,2,3,7 Bottom	
<b>CONNECTIONS</b>	
	
<b>LOW VOLTAGE</b>	<b>HIGH VOLTAGE</b>

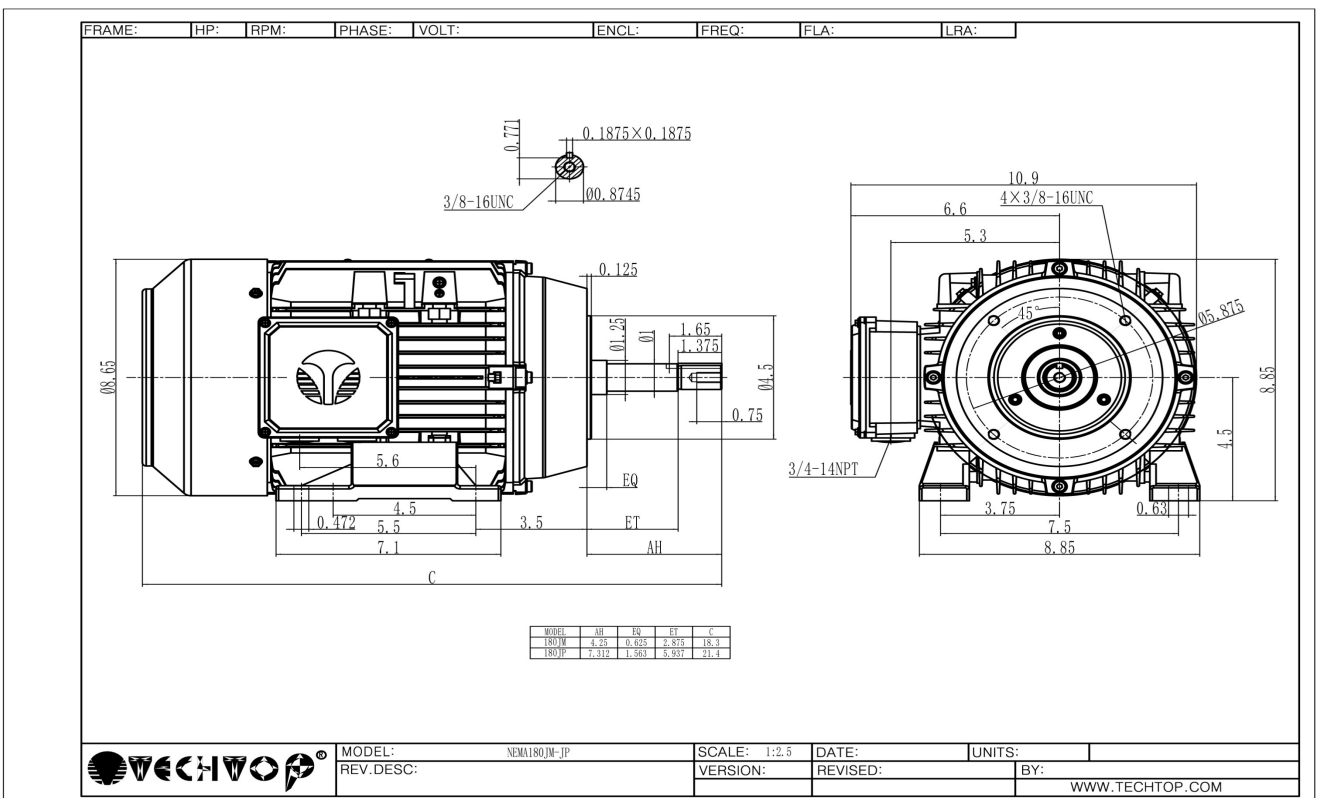
Techtop Industries -2815 Colonnades Court - Peachtree Corners, GA 30071 - Phone: (678) 436-5540



<b>Model Number:</b>	GR3-AL-TF-184JM-2-B-D-7.5
<b>MFG PN:</b>	
<b>List Price:</b>	1211

Dimensional Drawing (For Reference Only)

GR3-AL-TF-184JM



Components			
Item	Model	Description	List Price
C-Face Kit			

D-Flange Kit			
DE Endplate Kit			
NDE Endplate Kit			
Junction Box			
Cooling Fan Cover			
Cooling Fan			
Replacement Feet			
DE Bearing Retainer Kit			
NDE Bearing Retainer Kit			

Techtop Industries -2815 Colonnades Court - Peachtree Corners, GA 30071 - Phone: (678) 436-5540