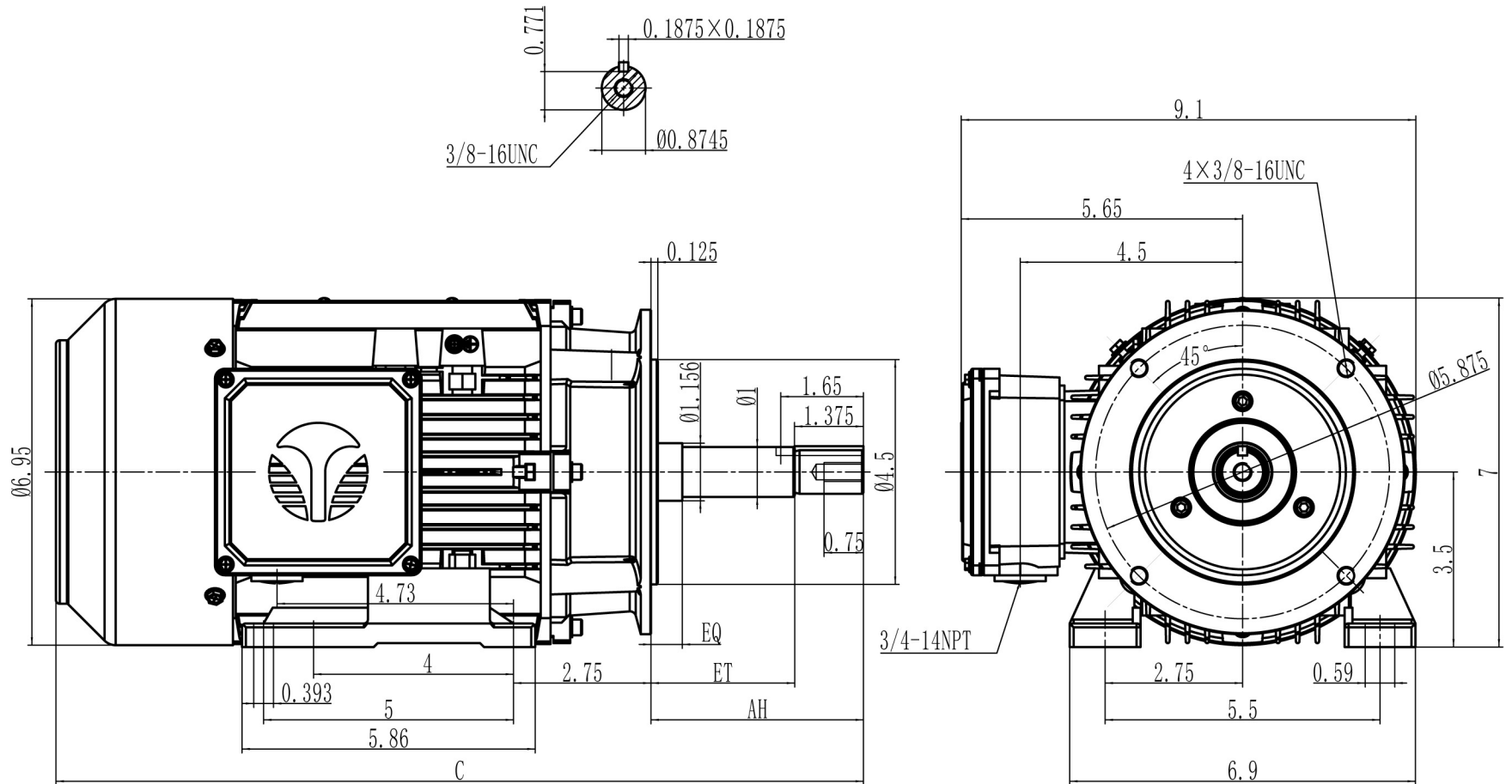


FRAME: HP: RPM: PHASE: VOLT: ENCL: FREQ: FLA: LRA:



MODEL	AH	EQ	ET	C
140JM	4.25	0.625	2.875	16.2
140JP	7.312	1.563	5.937	19.3



MODEL: NEMA140JM-JP
REV.DESC:

SCALE: 1:2
VERSION:

DATE:
REVISED:

UNITS:
BY:

WWW.TECHTOP.COM