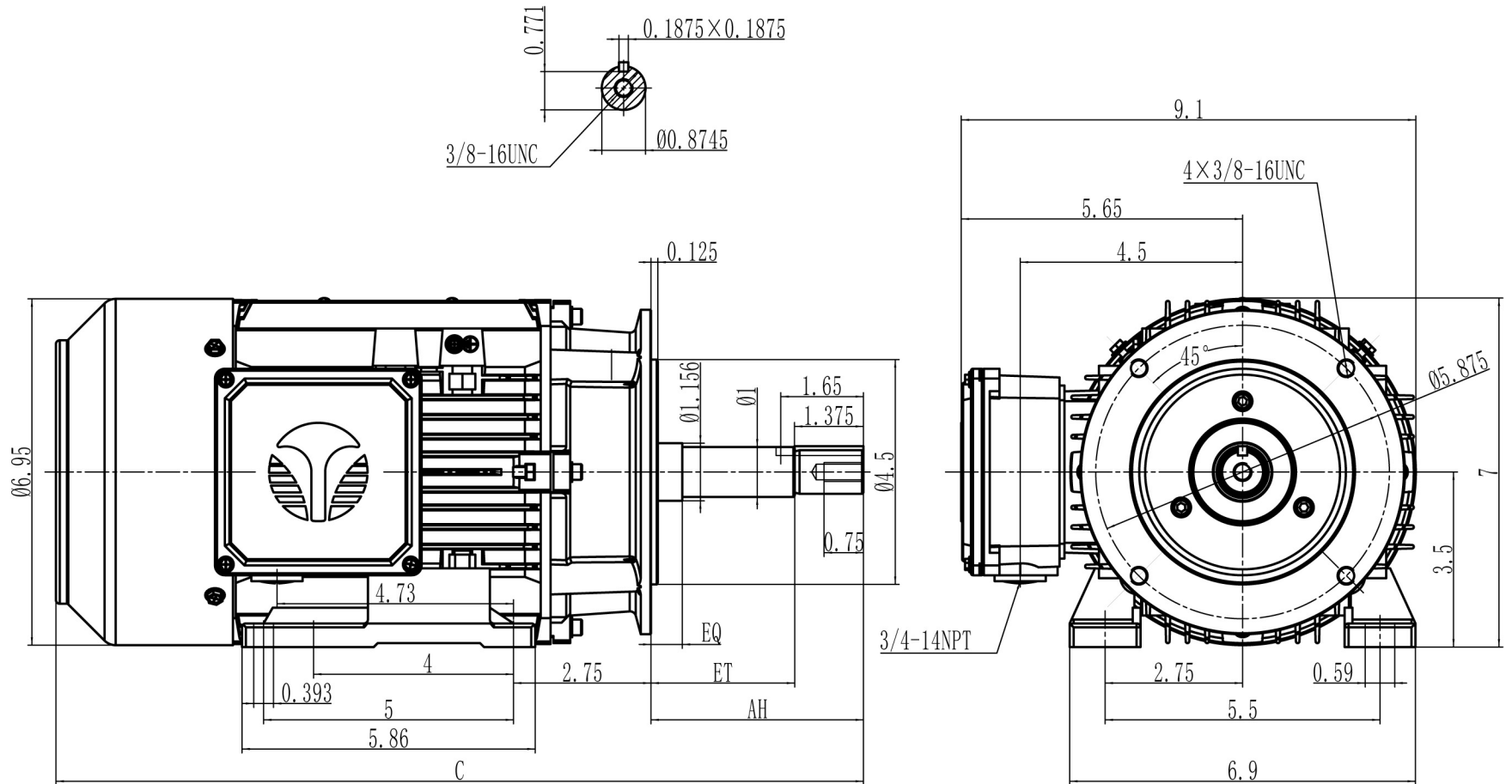


FRAME:    HP:    RPM:    PHASE:    VOLT:    ENCL:    FREQ:    FLA:    LRA:



MODEL	AH	EQ	ET	C
140JM	4.25	0.625	2.875	16.2
140JP	7.312	1.563	5.937	19.3



MODEL: NEMA140JM-JP  
REV.DESC:

SCALE: 1:2  
VERSION:

DATE:  
REVISED:

UNITS:  
BY:

WWW.TECHTOP.COM