

PE182T-1-8C

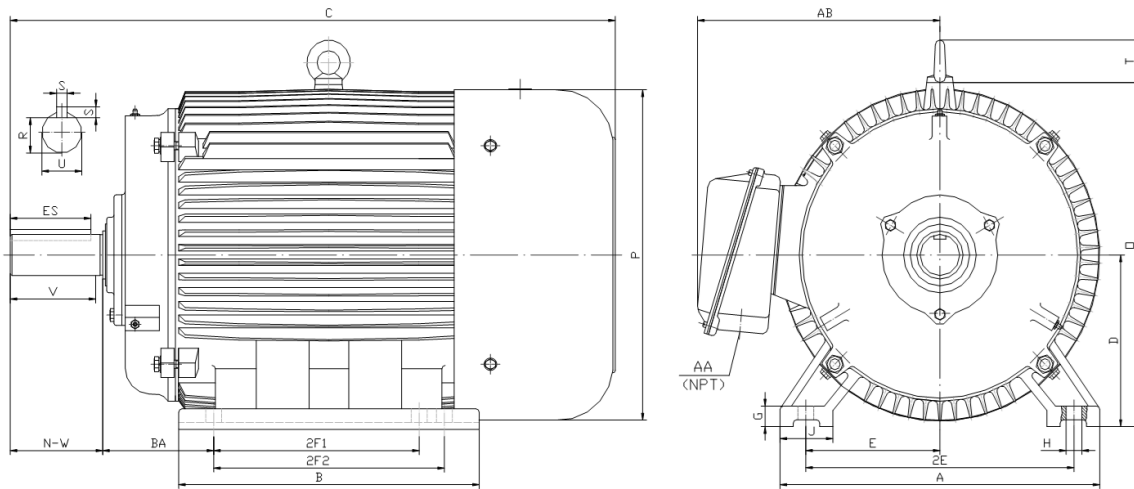
GENERAL PURPOSE ELECTRIC MOTOR

NEMA PREMIUM EFFICIENCY

TOTALLY ENCLOSED FAN COOLED

INVERTER DUTY 10:1 CT; 20:1 VT - NEMA MG1 PART 31

Factory Certified for T2B Class I, Division II, Groups A,B,C & D and Class II, Division II, Groups F & G



DIMENSIONS

HP	RPM	Frame	MOUNTING														
			A	B	C	D	G	H	J	E	2E	2F1	2F2	O	P	T	BA
1	900	182T	9.50	6.30	15.10	4.50	0.60	0.41	2.00	3.75	7.50	4.50	0.00	9.10	8.70	1.60	2.75

Shaft Extension, Key Set						Conduit Box		Bearings		Mount
U	V	R	S	ES	N-W	AA	AB	DE	ODE	
1.125	2.50	0.986	0.250	1.78	2.75	0.75	7.50	6306-ZZ	6306-ZZ	F1

BEARING LUBRICATION: The bearings come lubricated with Mobil Polyrex EM Polyurea Grease.





PE182T-1-8C

GENERAL PURPOSE ELECTRIC MOTOR

NEMA PREMIUM EFFICIENCY

TOTALLY ENCLOSED FAN COOLED

INVERTER DUTY 10:1 CT; 20:1 VT - NEMA MG1 PART 31

Factory Certified for T2B Class I, Division II, Groups A,B,C & D and Class II, Division II, Groups F & G

PERFORMANCE DATA

HP	RPM	Frame	Voltage	Frequency (Hz)	Full Load S.F.	Insulation Class	NEMA Design	Slip (%)	NEMA Code	Enclosure Type	IP Rating	Max. Ambient
1	870	182T	208-230/460	60	1.15	F	C	3.3	M	TEFC	55	40° C

Amps (460V)		Efficiency (%)				Power Factor			Torque (ft-lb)			DE Bearing	ODE Bearing	Connection	Weight (lbs.)
FLA	LRA	100%	75%	50%	Min.	100%	75%	50%	FLT	LRT %	BDT %				
1.9	15	75.5	74.0	70.0	72.0	0.660	0.550	0.420	6.1	230	320	6306-ZZ	6306-ZZ	9 Lead 2Y/Y	67

NAME PLATE

NEMA Premium										CONNECTION DIAGRAMS		
INVERTER DUTY 20:1 VT; 10:1 CT										208-230V		
CAT NO: PE182T-1-8C		FRAME 182T		PHASE 3								
HZ 60	S.F. 1.15	HZ 50	S.F. 1.0	ENCL TEFC	IP 55							
HP 1	RPM 870	HP 1	RPM 730	DUTY CONT	DES C							
VOLTS 208-230/460		VOLTS 190/380		AMB 40° C	INS F							
FLA 4.2 - 3.8 / 1.9	FLA 4.6/2.3		DE BEARING 6306-ZZ									
CODE M	P.F. 0.66	CODE K	P.F. 0.68	ODE BEARING 6306-ZZ								
EFF 75.5	MIN 72.0	EFF 72.5	MIN 68.5	LUB: Mobil Polyrex EM								
MOTOR WEIGHT 67 LBS	CONNECTION 9 Lead 2Y/Y		SER NO			460V						
General purpose use on industrial machinery installed in damp, dusty or dirty environments. Hernando, Mississippi												
ISO9001 CERTIFIED CE SP US CC 082A												

APPLICATIONS:

General purpose use on pumps, fans, blowers, compressors, conveyors, material handling and other industrial machinery installed in damp, dusty or dirty environments.