

## PE182JM-3-2

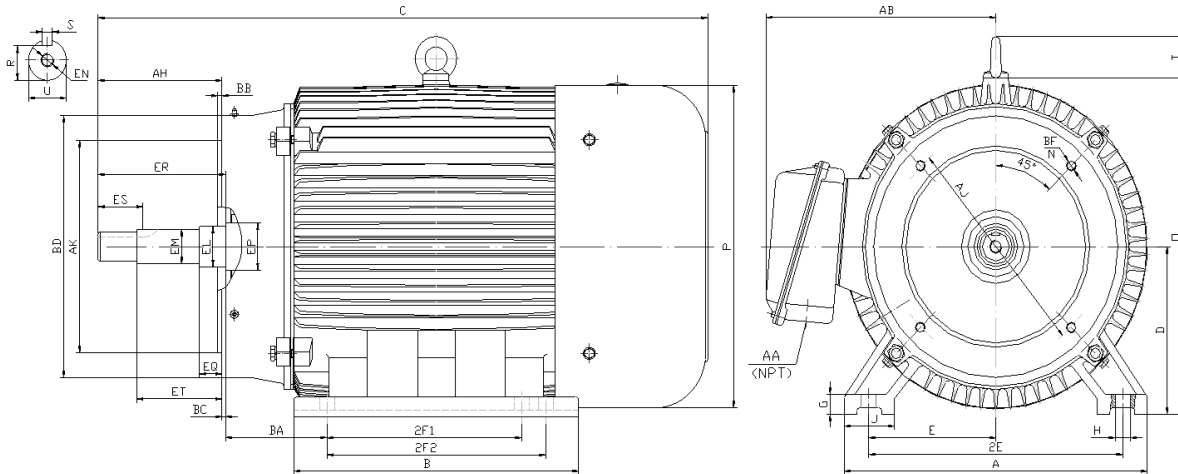
CLOSE COUPLED PUMP MOTORS

NEMA PREMIUM EFFICIENCY

THREE PHASE, TOTALLY ENCLOSED FAN COOLED, JM FRAME

INVERTER DUTY 10:1 CT; 20:1 VT - NEMA MG1 PART 31

Factory Certified for T2B Class I, Division II, Groups A,B,C & D and Class II, Division II, Groups F & G



### DIMENSIONS

HP	RPM	Frame	MOUNTING														
			A	B	C	D	G	H	J	E	2E	2F1	2F2	O	P	T	BA
3	3600	182JM	9.50	7.30	18.48	4.50	0.60	0.41	2.00	3.75	7.50	4.50	5.50	9.10	8.70	1.60	3.50

FLANGE							Shaft Extension, Key Set										
AK	AJ	AH	BB	BC	BD	N*BF	U	R	S	EQ	ER	ES	ET	EP	EL	EM	EN
4.500	5.88	4.281	0.156	0.12	6.62	4*3/8-16	0.8745	0.771	0.190	0.640	4.25	1.65	2.890	1.57	1.250	1.0000	3/8-16
4.497		4.219	0.125				0.8740	0.756	0.188	0.610			2.860		1.248	0.9995	

Conduit Box		Bearings		Mount
AA	AB	DE	ODE	
0.75	7.50	6208-ZZ	6306-ZZ	F1

**BEARING LUBRICATION:** The bearings come lubricated with Mobil Polyrex EM Polyurea Grease.





## PE182JM-3-2

**CLOSE COUPLED PUMP MOTORS**

**NEMA PREMIUM EFFICIENCY**

**THREE PHASE, TOTALLY ENCLOSED FAN COOLED, JM FRAME**

**INVERTER DUTY 10:1 CT; 20:1 VT - NEMA MG1 PART 31**

Factory Certified for T2B Class I, Division II, Groups A,B,C & D and Class II, Division II, Groups F & G

### PERFORMANCE DATA

HP	RPM	Frame	Voltage	Frequency (Hz)	Full Load S.F.	Insulation Class	NEMA Design	Slip (%)	NEMA Code	Enclosure Type	IP Rating	Max. Ambient
3	3520	182JM	208-230/460	60	1.15	F	B	2.2	K	TEFC	55	40° C

Amps (460V)		Efficiency (%)				Power Factor			Torque (ft-lb)			DE Bearing	ODE Bearing	Connection	Weight (lbs.)
FLA	LRA	100%	75%	50%	Min.	100%	75%	50%	FLT	LRT %	BDT %				
3.7	32.0	86.5	85.5	83.0	84.0	0.850	0.790	0.680	4.5	180	280	6208-ZZ	6306-ZZ	9 Lead 2Y/Y	89

### NAME PLATE

													<b>CONNECTION DIAGRAMS</b>  <b>208-230V</b> 										
<b>INVERTER DUTY 20:1 VT; 10:1 CT</b>										<b>CLOSE COUPLED PUMP MOTOR</b>													
CAT NO:		PE182JM-3-2				FRAME		182JM		PHASE		3		<b>460V</b> 									
HZ		60		S.F.		1.15		HZ		50		S.F.					1.0		ENCL		TEFC		IP
HP		3		RPM		3520		HP		3		RPM		2900		DUTY		CONT		DES		B	
VOLTS		208-230/460				VOLTS		190/380		AMB		40° C		INS		F							
FLA		7.9 - 7.4 / 3.7				FLA		9.0/4.5		DE BEARING		6208-ZZ											
CODE		K		P.F.		0.85		CODE		F		P.F.		0.89		ODE BEARING		6306-ZZ					
EFF		86.5		MIN		84.0		EFF		84.5		MIN		82.0		LUB:		Mobil Polyrex EM					
MOTOR WEIGHT		89		LBS		CONNECTION		9 Lead 2Y/Y		SER NO													
Specifically designed for use on industrial and commercial pumping units.  Hernando, Mississippi																CC 082A							

### APPLICATIONS:

Specifically designed for use on industrial and commercial pumping units.