

PE145T-2-2

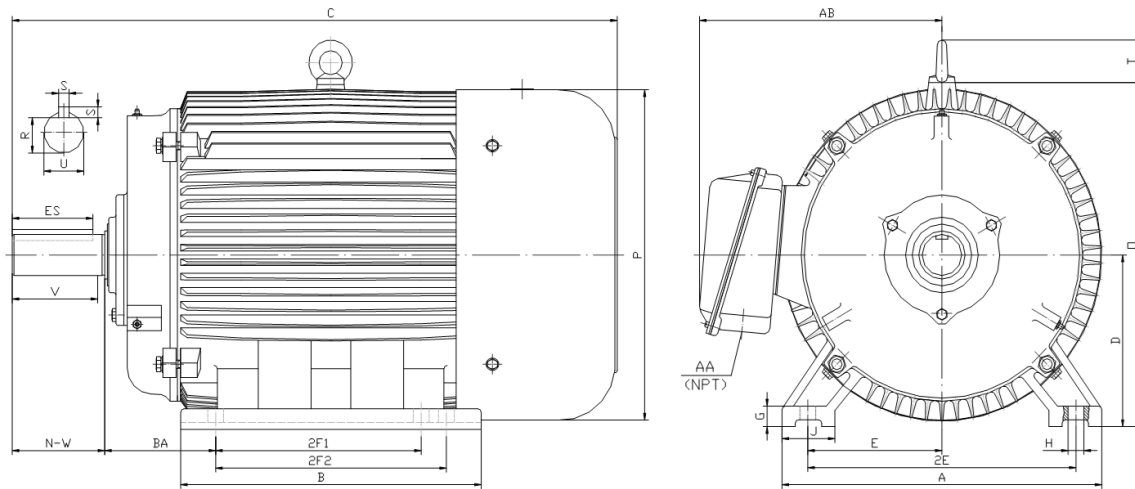
GENERAL PURPOSE ELECTRIC MOTOR

NEMA PREMIUM EFFICIENCY

TOTALLY ENCLOSED FAN COOLED

INVERTER DUTY 10:1 CT; 20:1 VT - NEMA MG1 PART 31

Factory Certified for T2B Class I, Division II, Groups A,B,C & D and Class II, Division II, Groups F & G



DIMENSIONS

HP	RPM	Frame	MOUNTING														
			A	B	C	D	G	H	J	E	2E	2F1	2F2	O	P	T	BA
2	3600	145T	7.00	7.20	14.60	3.50	0.50	0.34	1.40	2.75	5.50	4.00	5.00	7.10	6.95	0.00	2.25

Shaft Extension, Key Set						Conduit Box		Bearings		Mount
U	V	R	S	ES	N-W	AA	AB	DE	ODE	
0.875	2.00	0.771	0.188	1.41	2.25	0.75	6.10	6205-ZZ	6205-ZZ	F1

BEARING LUBRICATION: The bearings come lubricated with Mobil Polyrex EM Polyurea Grease.





PE145T-2-2

GENERAL PURPOSE ELECTRIC MOTOR

NEMA PREMIUM EFFICIENCY

TOTALLY ENCLOSED FAN COOLED

INVERTER DUTY 10:1 CT; 20:1 VT - NEMA MG1 PART 31

Factory Certified for T2B Class I, Division II, Groups A,B,C & D and Class II, Division II, Groups F & G

PERFORMANCE DATA

HP	RPM	Frame	Voltage	Frequency (Hz)	Full Load S.F.	Insulation Class	NEMA Design	Slip (%)	NEMA Code	Enclosure Type	IP Rating	Max. Ambient
2	3510	145T	208-230/460	60	1.15	F	B	2.5	L	TEFC	55	40° C

Amps (460V)		Efficiency (%)				Power Factor			Torque (ft-lb)			DE Bearing	ODE Bearing	Connection	Weight (lbs.)
FLA	LRA	100%	75%	50%	Min.	100%	75%	50%	FLT	LRT %	BDT %				
2.7	25	85.5	83.0	80.0	82.5	0.820	0.740	0.620	3.0	190	285	6205-ZZ	6205-ZZ	9 Lead 2Y/Y	48

NAME PLATE

													CONNECTION DIAGRAMS 208-230V 		
INVERTER DUTY 20:1 VT; 10:1 CT															
CAT NO: PE145T-2-2				FRAME 145T				PHASE 3				460V 			
HZ 60		S.F. 1.15		HZ 50		S.F. 1.0		ENCL TEFC		IP 55					
HP 2		RPM 3510		HP 2		RPM 2870		DUTY CONT		DES B					
VOLTS 208-230/460				VOLTS 190/380				AMB 40° C		INS F					
FLA 5.8 - 5.3 / 2.65				FLA 6.4/3.2				DE BEARING 6205-ZZ							
CODE L		P.F. 0.82		CODE F		P.F. 0.86		ODE BEARING 6205-ZZ							
EFF 85.5		MIN 82.5		EFF 83.5		MIN 80.5		LUB: Mobil Polyrex EM							
MOTOR WEIGHT 48		LBS		CONNECTION 9 Lead 2Y/Y				SER NO							
General purpose use on industrial machinery installed in damp, dusty or dirty environments. Hernando, Mississippi										CC 082A					

APPLICATIONS:

General purpose use on pumps, fans, blowers, compressors, conveyors, material handling and other industrial machinery installed in damp, dusty or dirty environments.