

PE145T-1.5-4

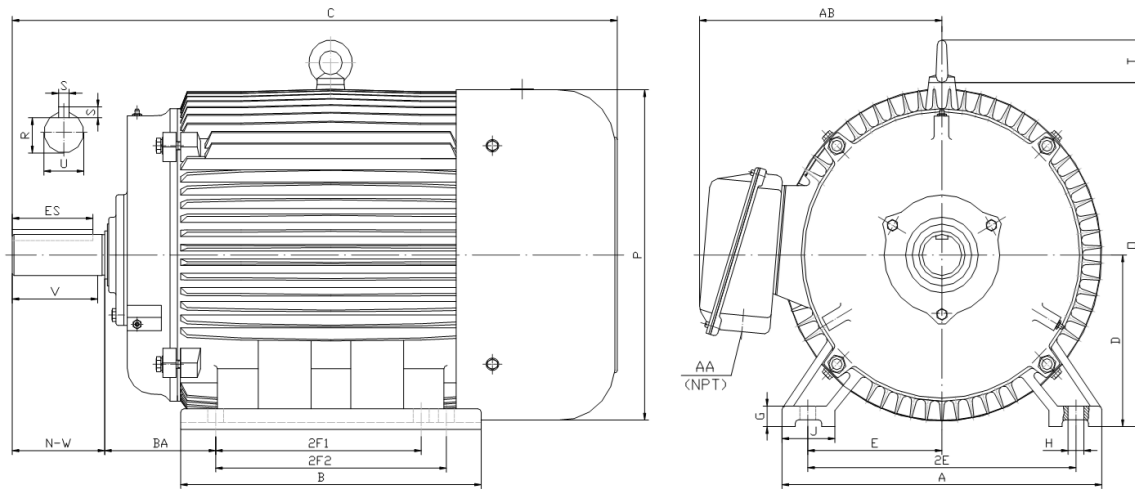
GENERAL PURPOSE ELECTRIC MOTOR

NEMA PREMIUM EFFICIENCY

TOTALLY ENCLOSED FAN COOLED

INVERTER DUTY 10:1 CT; 20:1 VT - NEMA MG1 PART 31

Factory Certified for T2B Class I, Division II, Groups A,B,C & D and Class II, Division II, Groups F & G



DIMENSIONS

| HP | RPM | Frame | MOUNTING | | | | | | | | | | | | | | |
|-----|------|-------|----------|------|-------|------|------|------|------|------|------|------|------|------|------|------|------|
| | | | A | B | C | D | G | H | J | E | 2E | 2F1 | 2F2 | O | P | T | BA |
| 1.5 | 1800 | 145T | 7.00 | 7.20 | 14.60 | 3.50 | 0.50 | 0.34 | 1.40 | 2.75 | 5.50 | 4.00 | 5.00 | 7.10 | 6.95 | 0.00 | 2.25 |

| Shaft Extension, Key Set | | | | | | Conduit Box | | Bearings | | Mount |
|--------------------------|------|-------|-------|------|------|-------------|------|----------|---------|-------|
| U | V | R | S | ES | N-W | AA | AB | DE | ODE | |
| 0.875 | 2.00 | 0.771 | 0.188 | 1.41 | 2.25 | 0.75 | 6.10 | 6205-ZZ | 6205-ZZ | F1 |

BEARING LUBRICATION: The bearings come lubricated with Mobil Polyrex EM Polyurea Grease.





PE145T-1.5-4

GENERAL PURPOSE ELECTRIC MOTOR

NEMA PREMIUM EFFICIENCY

TOTALLY ENCLOSED FAN COOLED

INVERTER DUTY 10:1 CT; 20:1 VT - NEMA MG1 PART 31

Factory Certified for T2B Class I, Division II, Groups A,B,C & D and Class II, Division II, Groups F & G

PERFORMANCE DATA

| HP | RPM | Frame | Voltage | Frequency (Hz) | Full Load S.F. | Insulation Class | NEMA Design | Slip (%) | NEMA Code | Enclosure Type | IP Rating | Max. Ambient |
|-----|------|-------|-------------|----------------|----------------|------------------|-------------|----------|-----------|----------------|-----------|--------------|
| 1.5 | 1750 | 145T | 208-230/460 | 60 | 1.15 | F | B | 2.8 | M | TEFC | 55 | 40° C |

| Amps (460V) | | Efficiency (%) | | | | Power Factor | | | Torque (ft-lb) | | | DE Bearing | ODE Bearing | Connection | Weight (lbs.) |
|-------------|-----|----------------|------|------|------|--------------|-------|-------|----------------|-------|-------|------------|-------------|-------------|---------------|
| FLA | LRA | 100% | 75% | 50% | Min. | 100% | 75% | 50% | FLT | LRT % | BDT % | | | | |
| 2.2 | 20 | 86.5 | 86.0 | 83.5 | 84.0 | 0.700 | 0.620 | 0.480 | 4.5 | 250 | 330 | 6205-ZZ | 6205-ZZ | 9 Lead 2Y/Y | 50 |

NAME PLATE

| | | | | | | | | | | | | | | | |
|--|-----------------|--------------|------|------------|---------|------|-------------|-----------------------|--------|---------------------|----|-----------------|---------------------|--|--|
| <p>INVERTER DUTY 20:1 VT; 10:1 CT</p> | | | | | | | | | | CONNECTION DIAGRAMS | | | | | |
| CAT NO: | | PE145T-1.5-4 | | | FRAME | | 145T | | PHASE | | 3 | | 208-230V | | |
| HZ | 60 | S.F. | 1.15 | HZ | 50 | S.F. | 1.0 | ENCL | TEFC | IP | 55 | | | | |
| HP | 1.5 | RPM | 1750 | HP | 1.5 | RPM | 1430 | DUTY | CONT | DES | B | 460V | | | |
| VOLTS | 208-230/460 | | | VOLTS | 190/380 | | | AMB | 40° C | INS | F | | | | |
| FLA | 4.7 - 4.4 / 2.2 | | | FLA | 5.4/2.7 | | | DE BEARING | | 6205-ZZ | | | | | |
| CODE | M | P.F. | 0.70 | CODE | H | P.F. | 0.75 | ODE BEARING | | 6205-ZZ | | | | | |
| EFF | 86.5 | MIN | 84.0 | EFF | 84 | MIN | 81.5 | LUB: Mobil Polyrex EM | | | | | | | |
| MOTOR WEIGHT | | 50 LBS | | CONNECTION | | | 9 Lead 2Y/Y | | SER NO | | | | | | |
| General purpose use on industrial machinery installed in damp, dusty or dirty environments. Hernando, Mississippi | | | | | | | | | | | | CC 082A | | | |

APPLICATIONS:

General purpose use on pumps, fans, blowers, compressors, conveyors, material handling and other industrial machinery installed in damp, dusty or dirty environments.