

PE145JM-1.5-4

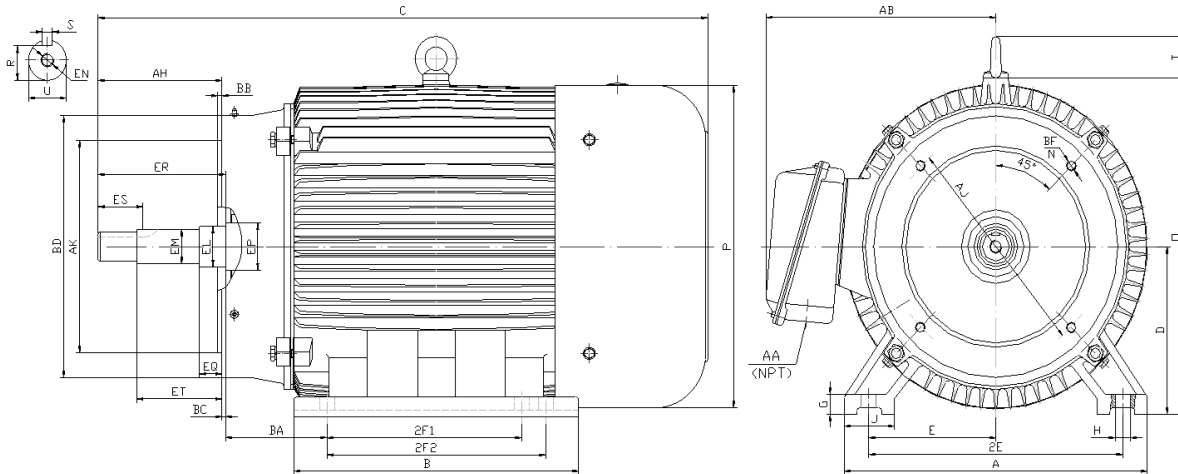
CLOSE COUPLED PUMP MOTORS

NEMA PREMIUM EFFICIENCY

THREE PHASE, TOTALLY ENCLOSED FAN COOLED, JM FRAME

INVERTER DUTY 10:1 CT; 20:1 VT - NEMA MG1 PART 31

Factory Certified for T2B Class I, Division II, Groups A,B,C & D and Class II, Division II, Groups F & G



DIMENSIONS

HP	RPM	Frame	MOUNTING														
			A	B	C	D	G	H	J	E	2E	2F1	2F2	O	P	T	BA
1.5	1800	145JM	7.00	7.20	17.23	3.50	0.50	0.34	1.40	2.75	5.50	4.00	5.00	7.10	6.95	0.00	2.75

FLANGE							Shaft Extension, Key Set										
AK	AJ	AH	BB	BC	BD	N*BF	U	R	S	EQ	ER	ES	ET	EP	EL	EM	EN
4.500	5.88	4.281	0.156	0.12	6.62	4*3/8-16	0.8745	0.771	0.190	0.640	4.25	1.65	2.890	1.18	1.156	1.0000	3/8-16
4.497		4.219	0.125				0.8740	0.756	0.188	0.610			2.860		1.154	0.9995	

Conduit Box		Bearings		Mount
AA	AB	DE	ODE	
0.75	6.10	6206-ZZ	6205-ZZ	F1

BEARING LUBRICATION: The bearings come lubricated with Mobil Polyrex EM Polyurea Grease.





PE145JM-1.5-4

CLOSE COUPLED PUMP MOTORS

NEMA PREMIUM EFFICIENCY

THREE PHASE, TOTALLY ENCLOSED FAN COOLED, JM FRAME

INVERTER DUTY 10:1 CT; 20:1 VT - NEMA MG1 PART 31

Factory Certified for T2B Class I, Division II, Groups A,B,C & D and Class II, Division II, Groups F & G

PERFORMANCE DATA

HP	RPM	Frame	Voltage	Frequency (Hz)	Full Load S.F.	Insulation Class	NEMA Design	Slip (%)	NEMA Code	Enclosure Type	IP Rating	Max. Ambient
1.5	1750	145JM	208-230/460	60	1.15	F	B	2.8	M	TEFC	55	40° C

Amps (460V)		Efficiency (%)				Power Factor			Torque (ft-lb)			DE Bearing	ODE Bearing	Connection	Weight (lbs.)
FLA	LRA	100%	75%	50%	Min.	100%	75%	50%	FLT	LRT %	BDT %				
2.2	20.0	86.5	86.0	83.5	84.0	0.700	0.620	0.480	4.5	250	330	6206-ZZ	6205-ZZ	9 Lead 2Y/Y	50

NAME PLATE

													CONNECTION DIAGRAMS 208-230V 		
INVERTER DUTY 20:1 VT; 10:1 CT										CLOSE COUPLED PUMP MOTOR					
CAT NO: PE145JM-1.5-4			FRAME 145JM			PHASE 3			460V 						
HZ 60	S.F. 1.15	HZ 50	S.F. 1.0	ENCL TEFC	IP 55										
HP 1.5	RPM 1750	HP 1.5	RPM 1430	DUTY CONT	DES B										
VOLTS 208-230/460			VOLTS 190/380			AMB 40° C			INS F						
FLA 4.7 - 4.4 / 2.2			FLA 5.4/2.7			DE BEARING 6206-ZZ			ODE BEARING 6205-ZZ						
CODE M	P.F. 0.70	CODE H	P.F. 0.75	LUB: Mobil Polyrex EM											
EFF 86.5	MIN 84.0	EFF 84	MIN 81.5	MOTOR WEIGHT 50 LBS			CONNECTION 9 Lead 2Y/Y			SER NO					
Specifically designed for use on industrial and commercial pumping units. Hernando, Mississippi										CC 082A					

APPLICATIONS:

Specifically designed for use on industrial and commercial pumping units.