

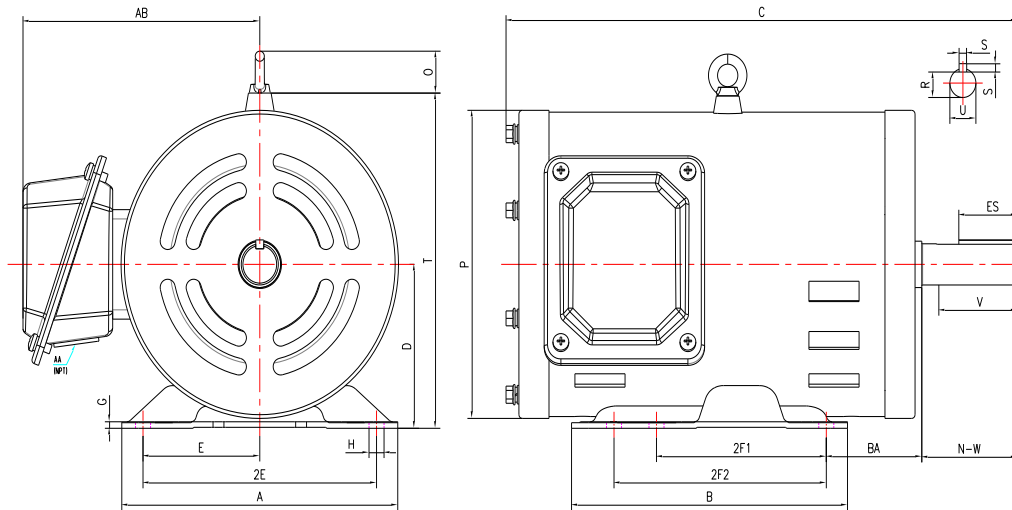
PE143T-1-4-ODP

GENERAL PURPOSE ELECTRIC MOTOR

NEMA PREMIUM EFFICIENCY

ROLLED STEEL CONSTRUCTION - OPEN DRIP PROOF

INVERTER DUTY 10:1 CT; 20:1 VT - NEMA MG1 PART 31



DIMENSIONS

HP	RPM	Frame	MOUNTING														
			A	B	C	D	G	H	J	E	2E	2F1	2F2	O	P	T	BA
1	1800	143T	6.50	6.50	11.22	3.50	0.12	0.35	NA	2.75	5.50	4.00	5.00	6.80	6.45	0.00	2.25

Shaft Extension, Key Set						Conduit Box		Bearings		Mount
U	V	R	S	ES	N-W	AA	AB	DE	ODE	
0.88	2.00	0.77	0.19	1.41	2.25	0.86	5.70	6205-ZZ	6205-ZZ	F1

BEARING LUBRICATION: The bearings come lubricated with Mobil Polyrex EM Polyurea Grease.





PE143T-1-4-ODP

GENERAL PURPOSE ELECTRIC MOTOR

NEMA PREMIUM EFFICIENCY

ROLLED STEEL CONSTRUCTION - OPEN DRIP PROOF

INVERTER DUTY 10:1 CT; 20:1 VT - NEMA MG1 PART 31

PERFORMANCE DATA

HP	RPM	Frame	Voltage	Frequency (Hz)	Full Load S.F.	Insulation Class	NEMA Design	Slip (%)	NEMA Code	Enclosure Type	IP Rating	Max. Ambient
1	1745	143T	208-230/460	60	1.15	F	B	3.06	M	ODP	23	40° C

Amps (460V)		Efficiency (%)				Power Factor			Torque (ft-lb)			DE Bearing	ODE Bearing	Connection	Weight (lbs.)
FLA	LRA	100%	75%	50%	Min.	100%	75%	50%	FLT	LRT %	BDT %				
1.6	15.0	85.5	85.0	83.6	82.5	0.710	0.620	0.490	3.0	275	310	6205-ZZ	6205-ZZ	9 Lead 2Y/Y	37

NAME PLATE

										CONNECTION DIAGRAMS 208-230V 			
INVERTER DUTY 20:1 VT; 10:1 CT													
CAT NO:		PE143T-1-4-ODP			FRAME		143T		PHASE		3		
HZ	60	S.F.	1.15	HZ	50	S.F.	1.0	ENCL	ODP	IP	23		
HP	1	RPM	1745	HP	1	RPM	1430	DUTY	CONT	DES	B		
VOLTS		208-230/460			VOLTS		190/380		AMB	40° C		INS	F
FLA	3.5 - 3.2 / 1.6		FLA		3.6/1.8		DE BEARING		6205-ZZ				
CODE	M	P.F.	0.71	CODE	H	P.F.	0.77	ODE BEARING		6205-ZZ			
EFF	85.5	MIN	82.5	EFF	83	MIN	80	LUB: Mobil Polyrex EM					
MOTOR WEIGHT		37	LBS	CONNECTION		9 Lead 2Y/Y		SER NO					
General purpose use on industrial machinery installed in environments with minimal dirt and moisture. Hernando, Mississippi										CC 082A			
										460V 			

APPLICATIONS:

General purpose use on pumps, fans, blowers, compressors, conveyors, material handling and other industrial machinery installed in environments with minimal dirt and moisture.